

Neoprene connecting insulators two-piece

Item description/product images



Description

Material:

Isolating medium Neoprene.
External body steel.

Version:

Steel electro zinc-plated.

Note:

The two-part connection isolators are used to create a stable connection or efficient decoupling of machines or systems to adjacent components.

Due to the material composition, rubber buffers are contact-colouring, which can lead to abrasion marks and discolouration on e.g. floors or contact surfaces.

Rubber buffers made of light grey EPDM that are not contact-colouring are available on request.

A load range of 10 to 285 kg can be covered.

The dimension H, is the height of the connecting isolators when installed.

Product hardness colour coding.

Yellow dot = Shore 35.

Red dot = Shore 45.

Green dot = Shore 55.

Blue dot = Shore 65.

White dot = Shore 75.

Application:

The lower part of the connecting isolator (P2) is pressed into the hole (D3) of the plate (P3). The plate P3 is in most cases the base plate on which the machine or system is mounted. Next, the upper part of the connecting isolator (P1) is pushed onto the lower part (P2). Finally, the connecting isolators and the base plate are screwed to the floor or another component using appropriate screws. It is recommended to place a washer between the upper part (P1) and the screw to protect the neoprene from the thread. The washer K1150.12 is recommended for the connecting isolators with D= 31.8 mm and the washer K1150.18 for the connecting isolators with D= 47.5 mm. The connecting isolators can be screwed on both vertically and horizontally. However, the different load ratings must be taken into account.

Temperature range:

-30 °C to +80 °C.

Attention:

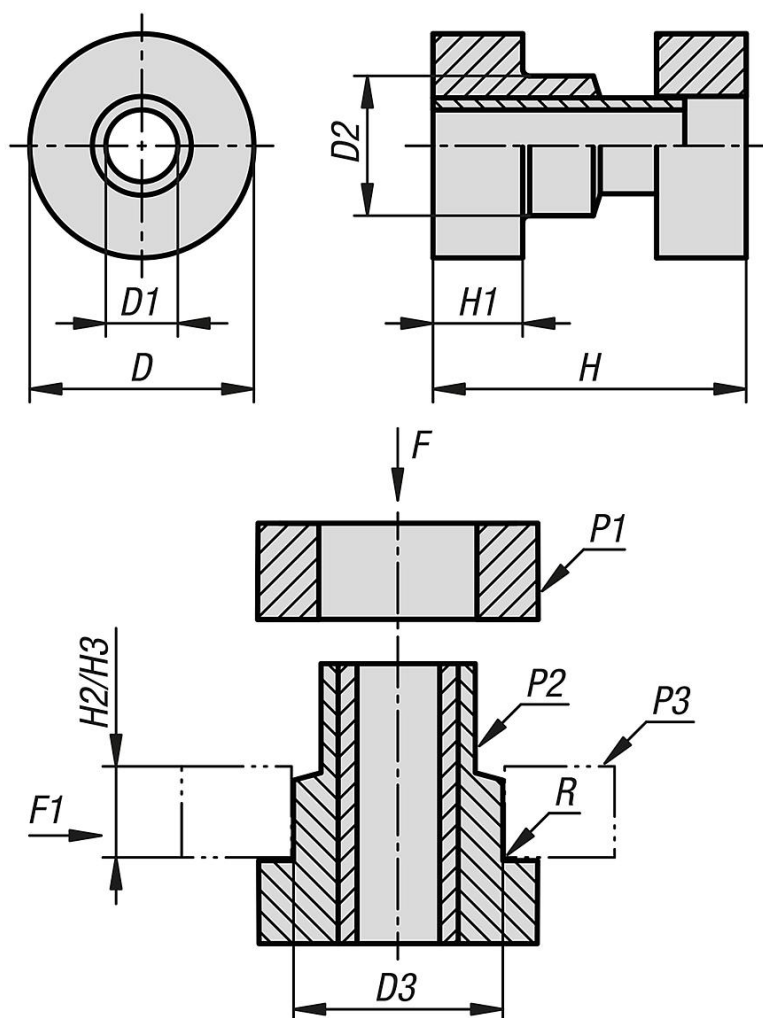
- The temperature range must not be exceeded, otherwise the full function cannot be guaranteed.
- Not resistant to harsh cleaning agents, petrol and oils.
- To prevent damage to the neoprene, contact with sharp objects should be avoided.
- The height H must be maintained during installation to so that the connection isolator does not fall out.

Note:

The prescribed height of the base plate/side plate used (H2/H3) should be observed for optimum utilisation of the connecting isolators.

Neoprene connecting insulators two-piece

Drawings



Overview of items

Neoprene connecting isolators, two-piece

Order No.	D	D1	D2	D3	H	H1	H2	H3	Shore grade	R	F (height H2) = axial load	F1 (height H2) = radial load
K1907.31831835	31,8	9,9	19,8	19	31,8	12,7	9,4	-	35+5	0,75	20	10
K1907.31831845	31,8	9,9	19,8	19	31,8	12,7	9,4	-	45+5	0,75	40	15
K1907.31831855	31,8	9,9	19,8	19	31,8	12,7	9,4	-	55+5	0,75	65	20
K1907.31831865	31,8	9,9	19,8	19	31,8	12,7	9,4	-	65+5	0,75	115	25
K1907.31831875	31,8	9,9	19,8	19	31,8	12,7	9,4	-	75+5	0,75	140	30
K1907.47549335	47,5	13,5	33,3	31,8	49,3	19,8	12,7	14,2	35+5	1,5	30	20
K1907.47549345	47,5	13,5	33,3	31,8	49,3	19,8	12,7	14,2	45+5	1,5	55	40
K1907.47549355	47,5	13,5	33,3	31,8	49,3	19,8	12,7	14,2	55+5	1,5	75	60
K1907.47549365	47,5	13,5	33,3	31,8	49,3	19,8	12,7	14,2	65+5	1,5	120	80
K1907.47549375	47,5	13,5	33,3	31,8	49,3	19,8	12,7	14,2	75+5	1,5	175	130

Order No.	F (height H3) = axial load	F1 (height H3) = radial load	Frequency Hz (height H2)	Frequency Hz (height H3)	Torque Nm (height H2)	Torque Nm (height H3)
K1907.31831835	-	-	15	-	10	-
K1907.31831845	-	-	15	-	10	-
K1907.31831855	-	-	15	-	10	-
K1907.31831865	-	-	15	-	10	-

Neoprene connecting insulators two-piece

Overview of items

Order No.	F (height H3) = axial load	F1 (height H3) = radial load	Frequency Hz (height H2)	Frequency Hz (height H3)	Torque Nm (height H2)	Torque Nm (height H3)
K1907.31831875	-	-	15	-	10	-
K1907.47549335	60	25	15	12	13	14
K1907.47549345	80	30	15	12	13	14
K1907.47549355	110	40	15	12	13	14
K1907.47549365	175	75	15	12	13	14
K1907.47549375	285	125	15	12	13	14