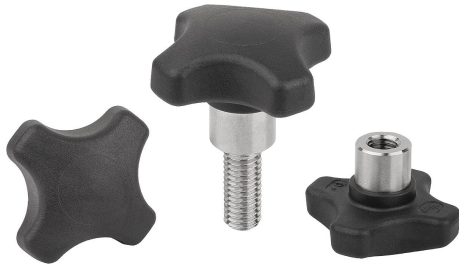


Palm grips, plastic, metal detectable with protruding steel bush

Item description/product images

MD



Description

Product description:

The metal detectable operating parts are made from a EU10/2011 and FDA conform plastic granulate.

Due to special additives to the plastic granulate, it is possible for metal detectors (induction technology) to detect plastic particles from a size of 0.027 cm³ (3x3x3 mm). This means that in sensitive production sectors, e.g. foodstuff processing, plastic fragments of metal detectable operating parts can be identified and the risk of production downtimes or complaints are significantly reduced.

Material:

Thermoplastic (fibreglass reinforced polyamide), metal detectable, EU10/2011 and FDA conform.

Steel parts stainless steel 1.4404.

Version:

Thermoplastic black-grey RAL 7021.

Steel parts bright stainless steel.

Note:

Palm grips with projecting steel bush and internal thread are highly suitable for cross pinning.

Application:

- Foodstuff industry
- Pharmaceutical industry
- Packaging industry

Temperature range:

-20°C to +100°C.

Advantages:

Metal detectable.

Detections volume ≥ 0.027 cm³.

Foodstuff conform material.

On request:

Special versions.

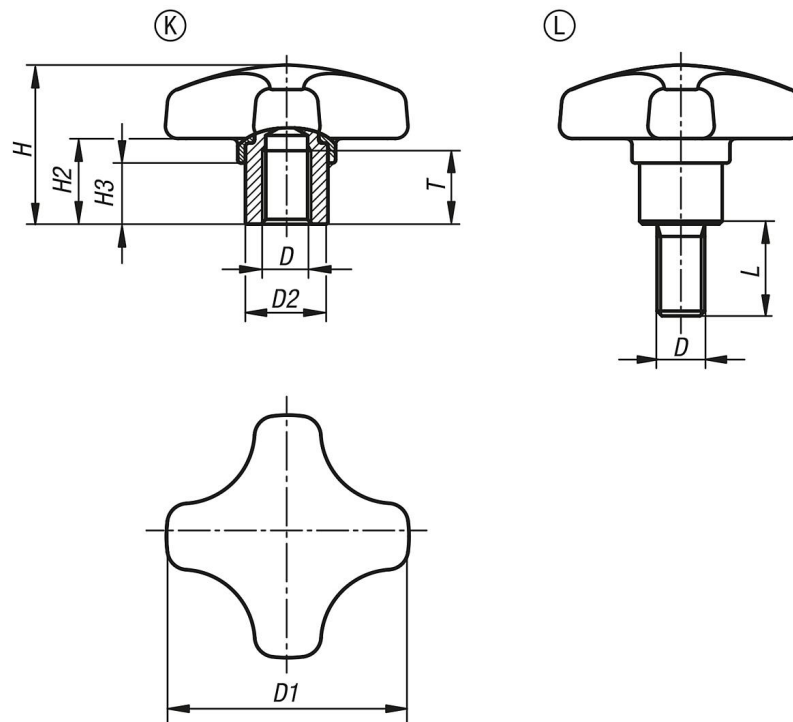
Drawing reference:

Form K: tapped bush

Form L: external thread

Palm grips, plastic, metal detectable with protruding steel bush

Drawings



Overview of items

Palm grips, plastic, metal detectable with protruding steel bush

Order No.	Form	Main colour	D	D1	D2	H	H2	H3	L	T	Approval / Certification
K1794.1425053175	K	black grey RAL 7021	M5	25	10	18	9	7	-	9	FDA + EU10/2011
K1794.1432063175	K	black grey RAL 7021	M6	32	13,5	22	12	9,5	-	12	FDA + EU10/2011
K1794.1440063175	K	black grey RAL 7021	M6	40	13,5	26	14	10	-	12	FDA + EU10/2011
K1794.1440083175	K	black grey RAL 7021	M8	40	13,5	26	14	10	-	12	FDA + EU10/2011
K1794.1450083175	K	black grey RAL 7021	M8	50	19	32	18	12	-	17	FDA + EU10/2011
K1794.1450103175	K	black grey RAL 7021	M10	50	19	32	18	12	-	17	FDA + EU10/2011
K1794.1425053175X10	L	black grey RAL 7021	M5	25	10	18	9	7	10	-	FDA + EU10/2011
K1794.1425053175X15	L	black grey RAL 7021	M5	25	10	18	9	7	15	-	FDA + EU10/2011
K1794.1425053175X20	L	black grey RAL 7021	M5	25	10	18	9	7	20	-	FDA + EU10/2011
K1794.1432063175X10	L	black grey RAL 7021	M6	32	13,5	22	12	9,5	10	-	FDA + EU10/2011
K1794.1432063175X15	L	black grey RAL 7021	M6	32	13,5	22	12	9,5	15	-	FDA + EU10/2011
K1794.1432063175X20	L	black grey RAL 7021	M6	32	13,5	22	12	9,5	20	-	FDA + EU10/2011
K1794.1432063175X25	L	black grey RAL 7021	M6	32	13,5	22	12	9,5	25	-	FDA + EU10/2011
K1794.1432063175X30	L	black grey RAL 7021	M6	32	13,5	22	12	9,5	30	-	FDA + EU10/2011
K1794.1440083175X15	L	black grey RAL 7021	M8	40	13,5	26	14	10	15	-	FDA + EU10/2011
K1794.1440083175X20	L	black grey RAL 7021	M8	40	13,5	26	14	10	20	-	FDA + EU10/2011
K1794.1440083175X25	L	black grey RAL 7021	M8	40	13,5	26	14	10	25	-	FDA + EU10/2011
K1794.1440083175X30	L	black grey RAL 7021	M8	40	13,5	26	14	10	30	-	FDA + EU10/2011
K1794.1440083175X40	L	black grey RAL 7021	M8	40	13,5	26	14	10	40	-	FDA + EU10/2011
K1794.1440083175X50	L	black grey RAL 7021	M8	40	13,5	26	14	10	50	-	FDA + EU10/2011
K1794.1450103175X20	L	black grey RAL 7021	M10	50	19	32	18	12	20	-	FDA + EU10/2011
K1794.1450103175X25	L	black grey RAL 7021	M10	50	19	32	18	12	25	-	FDA + EU10/2011
K1794.1450103175X30	L	black grey RAL 7021	M10	50	19	32	18	12	30	-	FDA + EU10/2011
K1794.1450103175X40	L	black grey RAL 7021	M10	50	19	32	18	12	40	-	FDA + EU10/2011
K1794.1450103175X50	L	black grey RAL 7021	M10	50	19	32	18	12	50	-	FDA + EU10/2011
K1794.1450103175X60	L	black grey RAL 7021	M10	50	19	32	18	12	60	-	FDA + EU10/2011

