

## Thread cover, stainless steel in Hygienic DESIGN

### Item description/product images



by MARTIN

Levelling Components



### Description

#### Material:

Sleeve stainless steel 1.4301.  
Rubber seal silicon, FDA certified.

#### Version:

Sleeve high-gloss polished.  
Rubber seal, blue.

#### Note:

Certified according to 3-A Sanitary Standard.  
The thread cover caps protruding external threads and thus protects them from dirt.  
The high surface finish quality prevents dirt from adhering and reduces cleaning times to a minimum.

#### Application:

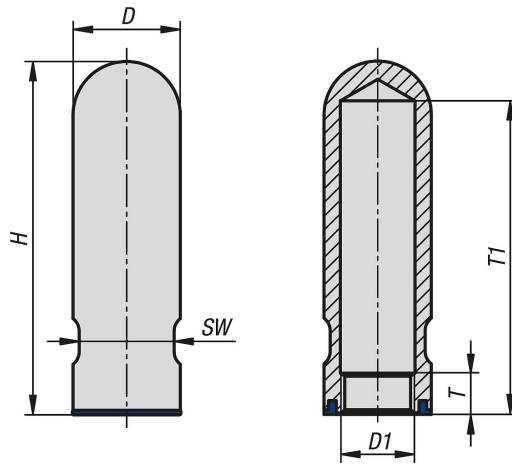
The thread cover is particularly suitable for machines, plants and appliances in the foodstuff, brewery, dairy, beverage and pharmaceutical industries.

#### Accessory:

Levelling feet K1303.

**Thread cover, stainless steel in Hygienic DESIGN**

**Drawings**



**Overview of items**

**Thread cover, stainless steel, in Hygienic DESIGN**

Order No.	D	D1	H	T	T1	SW
K1821.1112112	24	M12	112	12	102	20
K1821.1116112	24	M16	112	12	102	20
K1821.1120115	30	M20	115	12	102	26
K1821.1124115	35	M24	115	12	102	30