

## Swivel and fixed castors steel plate, heavy-duty version

### Item description/product images



### Description

**Material:**

Housing, steel plate.

Wheel tread, high quality polyurethane elastomere.

Wheel rims, die-cast aluminium.

**Version:**

Housing, press-formed.

Swivel housing, double-row ball bearings in a swivel head.

Ball bearing wheel axle bearings.

**Note:**

Wheel axle bolted.

Swivel and fixed castors with mounting plate.

**Application:**

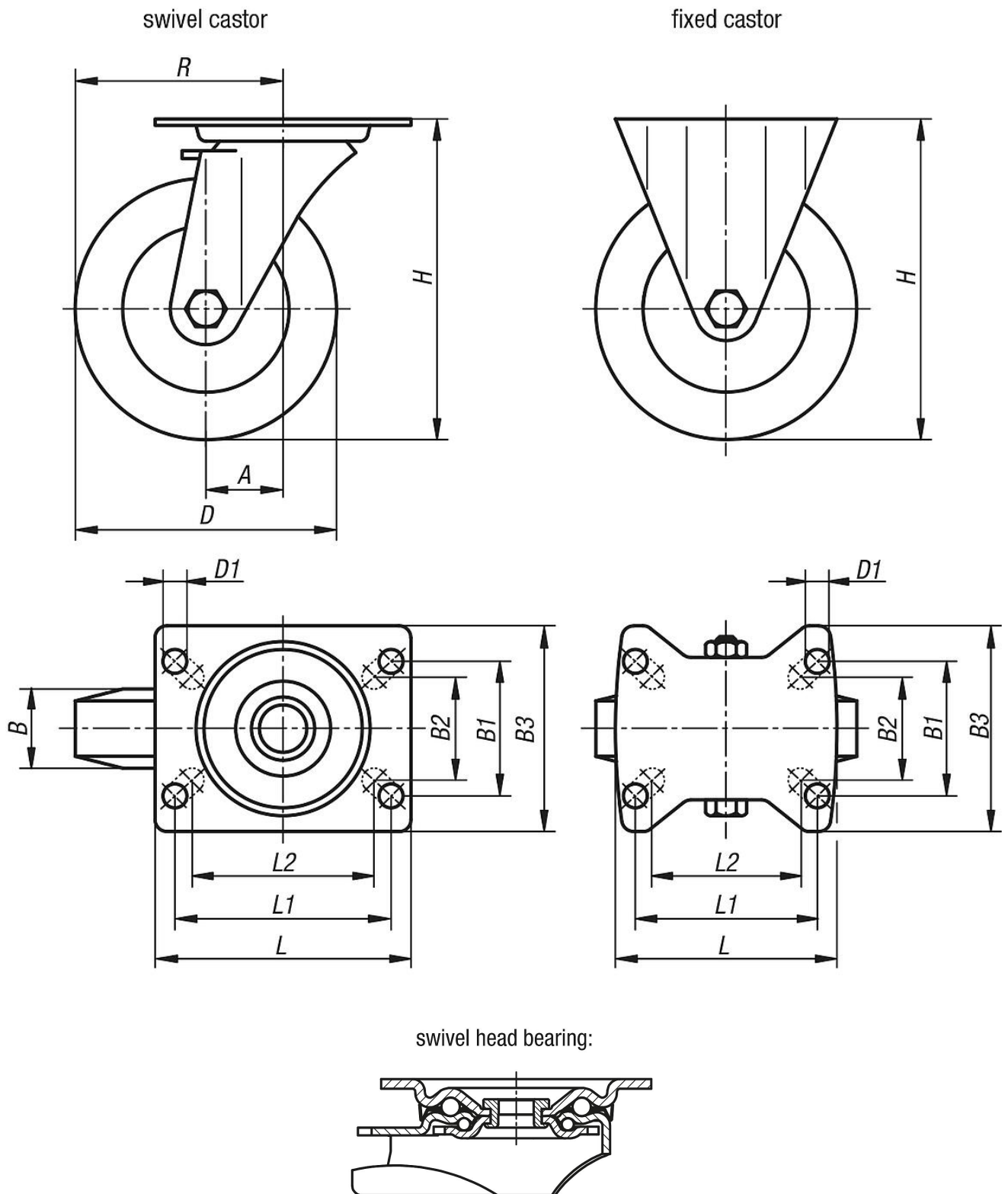
Heavy loads can be easily transported using this load handling equipment. The roll and swivel resistance is reduced with this new wheel series designed for intralogistic heavy load applications.

**Temperature range:**

-25 °C to +70 °C

Swivel and fixed castors steel plate, heavy-duty version

Drawings



Overview of items

Swivel and fixed castors steel plate, heavy-duty version

## Swivel and fixed castors steel plate, heavy-duty version

### Overview of items

Order No.	Item	Version 1	Wheel bearing	A	B	B1	B2	B3	D	D1	H	L	L1	L2	R	Permissible load kg
K1788.1010004011	Fixed castor	without locking system	ball bearing	-	40	60	55	85	100	9	130	100	80	76	-	350
K1788.1010004013	Fixed castor	without locking system	ball bearing	-	40	80	75	110	100	11	130	140	105	-	-	350
K1788.1012504011	Fixed castor	without locking system	ball bearing	-	40	60	55	85	125	9	155	100	80	76	-	350
K1788.1012504013	Fixed castor	without locking system	ball bearing	-	40	80	75	110	125	11	155	140	105	-	-	350
K1788.101500501	Fixed castor	without locking system	ball bearing	-	50	80	75	110	150	11	197	140	105	-	-	500
K1788.101600501	Fixed castor	without locking system	ball bearing	-	50	80	75	110	160	11	202	140	105	-	-	550
K1788.102000501	Fixed castor	without locking system	ball bearing	-	50	80	75	110	200	11	245	140	105	-	-	600
K1788.101000401	Swivel castor	without locking system	ball bearing	45	40	60	55	85	100	9	130	100	80	76	95	350
K1788.101000403	Swivel castor	without locking system	ball bearing	45	40	80	75	110	100	11	130	140	105	-	95	350
K1788.101250401	Swivel castor	without locking system	ball bearing	48	40	60	55	85	125	9	155	100	80	76	110,5	350
K1788.101250403	Swivel castor	without locking system	ball bearing	48	40	80	75	110	125	11	155	140	105	-	110,5	350
K1788.10150050	Swivel castor	without locking system	ball bearing	63	50	80	75	110	150	11	197	140	105	-	138	500
K1788.10160050	Swivel castor	without locking system	ball bearing	63	50	80	75	110	160	11	202	140	105	-	143	550
K1788.10200050	Swivel castor	without locking system	ball bearing	65	50	80	75	110	200	11	245	140	105	-	165	600
K1788.1010004021	Swivel castor	with stop-fix locking system	ball bearing	45	40	60	55	85	100	9	130	100	80	76	95	350
K1788.1010004023	Swivel castor	with stop-fix locking system	ball bearing	45	40	80	75	110	100	11	130	140	105	-	95	350
K1788.1012504021	Swivel castor	with stop-fix locking system	ball bearing	48	40	60	55	85	125	9	155	100	80	76	110,5	350
K1788.1012504023	Swivel castor	with stop-fix locking system	ball bearing	48	40	80	75	110	125	11	155	140	105	-	110,5	350
K1788.101500502	Swivel castor	with stop-fix locking system	ball bearing	63	50	80	75	110	150	11	197	140	105	-	138	500
K1788.101600502	Swivel castor	with stop-fix locking system	ball bearing	63	50	80	75	110	160	11	202	140	105	-	143	550
K1788.102000502	Swivel castor	with stop-fix locking system	ball bearing	65	50	80	75	110	200	11	245	140	105	-	165	600