

## Swivel and fixed castors medium-duty version

### Item description/product images



### Description

**Material:**

Housing, steel plate.

Wheel tread, high quality polyurethane elastomere.

Wheel rims, die-cast aluminium.

**Version:**

Housing, press-formed.

Swivel housing, double-row ball bearings in a swivel head.

Ball bearing wheel axle bearings.

**Note:**

Wheel axle bolted.

Swivel and fixed castors with mounting plate.

**Application:**

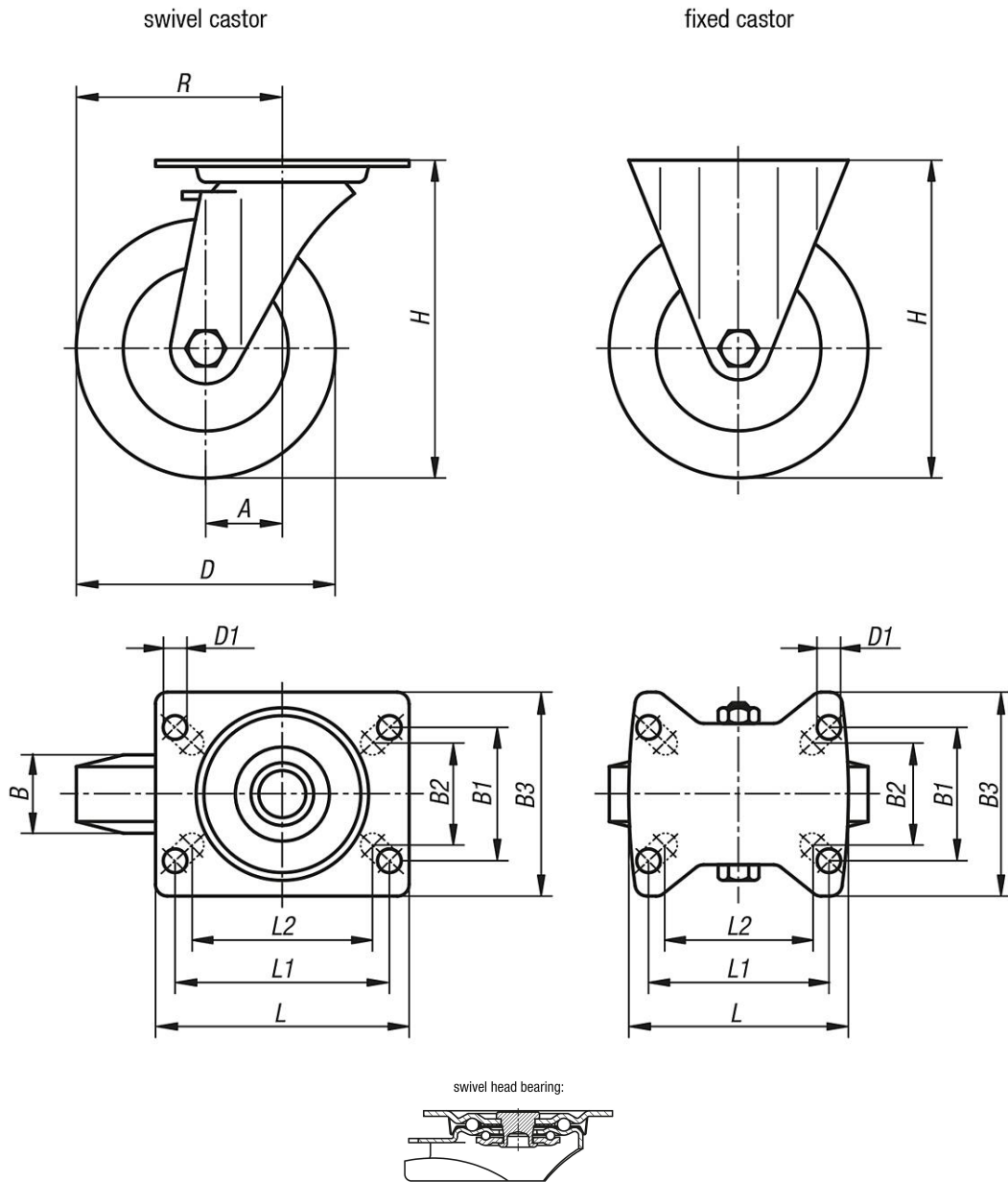
Heavy loads can be easily transported using this load handling equipment. The roll and swivel resistance is reduced with this new wheel series designed for intralogistic heavy load applications.

**Temperature range:**

-25 °C to +70 °C

# Swivel and fixed castors medium-duty version

## Drawings



## Overview of items

### Swivel and fixed castors medium-duty version

| Order No.       | Item          | Version 1              | Wheel bearing | A  | B  | B1 | B2 | B3  | D   | D1 | H   | L   | L1  | L2 | R     | Permissible load kg |
|-----------------|---------------|------------------------|---------------|----|----|----|----|-----|-----|----|-----|-----|-----|----|-------|---------------------|
| K1765.101000401 | Fixed castor  | without locking system | ball bearing  | -  | 40 | 60 | 55 | 85  | 100 | 9  | 125 | 100 | 80  | 76 | -     | 200                 |
| K1765.101250401 | Fixed castor  | without locking system | ball bearing  | -  | 40 | 60 | 55 | 85  | 125 | 9  | 150 | 100 | 80  | 76 | -     | 200                 |
| K1765.101500501 | Fixed castor  | without locking system | ball bearing  | -  | 50 | 80 | 75 | 110 | 150 | 11 | 190 | 140 | 105 | -  | -     | 400                 |
| K1765.101600501 | Fixed castor  | without locking system | ball bearing  | -  | 50 | 80 | 75 | 110 | 160 | 11 | 195 | 140 | 105 | -  | -     | 400                 |
| K1765.102000501 | Fixed castor  | without locking system | ball bearing  | -  | 50 | 80 | 75 | 110 | 200 | 11 | 235 | 140 | 105 | -  | -     | 400                 |
| K1765.10100040  | Swivel castor | without locking system | ball bearing  | 36 | 40 | 60 | 55 | 85  | 100 | 9  | 125 | 100 | 80  | 76 | 86    | 200                 |
| K1765.10125040  | Swivel castor | without locking system | ball bearing  | 40 | 40 | 60 | 55 | 85  | 125 | 9  | 150 | 100 | 80  | 76 | 102,5 | 200                 |
| K1765.10150050  | Swivel castor | without locking system | ball bearing  | 60 | 50 | 80 | 75 | 110 | 150 | 11 | 190 | 140 | 105 | -  | 135   | 400                 |
| K1765.10160050  | Swivel castor | without locking system | ball bearing  | 60 | 50 | 80 | 75 | 110 | 160 | 11 | 195 | 140 | 105 | -  | 140   | 400                 |
| K1765.10200050  | Swivel castor | without locking system | ball bearing  | 65 | 50 | 80 | 75 | 110 | 200 | 11 | 235 | 140 | 105 | -  | 165   | 400                 |

## Swivel and fixed castors medium-duty version

### Overview of items

| Order No.              | Item          | Version 1                    | Wheel bearing | A  | B  | B1 | B2 | B3  | D   | D1 | H   | L   | L1  | L2 | R     | Permissible load kg |
|------------------------|---------------|------------------------------|---------------|----|----|----|----|-----|-----|----|-----|-----|-----|----|-------|---------------------|
| <b>K1765.101000402</b> | Swivel castor | with stop-fix locking system | ball bearing  | 36 | 40 | 60 | 55 | 85  | 100 | 9  | 125 | 100 | 80  | 76 | 86    | 200                 |
| <b>K1765.101250402</b> | Swivel castor | with stop-fix locking system | ball bearing  | 40 | 40 | 60 | 55 | 85  | 125 | 9  | 150 | 100 | 80  | 76 | 102,5 | 200                 |
| <b>K1765.101500502</b> | Swivel castor | with stop-fix locking system | ball bearing  | 60 | 50 | 80 | 75 | 110 | 150 | 11 | 190 | 140 | 105 | -  | 135   | 400                 |
| <b>K1765.101600502</b> | Swivel castor | with stop-fix locking system | ball bearing  | 60 | 50 | 80 | 75 | 110 | 160 | 11 | 195 | 140 | 105 | -  | 140   | 400                 |
| <b>K1765.102000502</b> | Swivel castor | with stop-fix locking system | ball bearing  | 65 | 50 | 80 | 75 | 110 | 200 | 11 | 235 | 140 | 105 | -  | 165   | 400                 |