

## Swivel and fixed castors steel plate, electrically conductive standard version

Item description/product images



### Description

#### Material:

Housing steel plate.  
Wheels with thermoplastic rubber tread.  
Wheel body polypropylene.

#### Version:

Housing press formed.  
Double ball bearing in the castor head.  
Plain bearing in wheels.

#### Note:

Wheel axle threaded. Swivel and fixed castors with mounting plate. Electrically conductive wheels, non-marking grey. The ohmic resistance of the wheel is less than  $10^4\Omega$ .

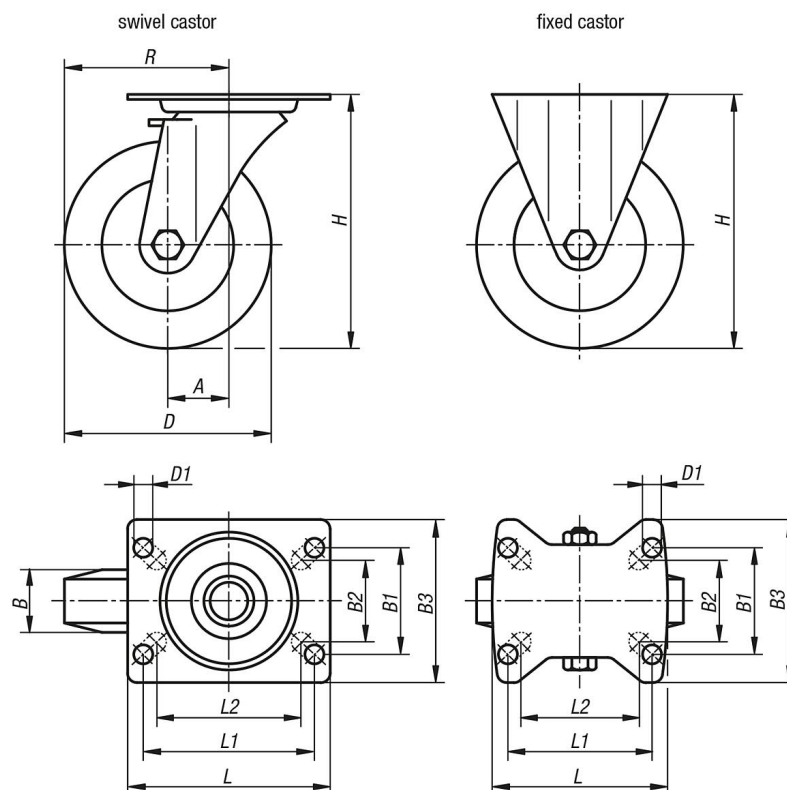
#### Application:

Electrically conductive wheels on swivel and fixed castors are used to protect against electrostatic discharge generated by transport equipment or the transported goods. Damage to sensitive goods and painful electrostatic shocks to the personal is so prevented.

#### Temperature range:

-20 °C to +60 °C.

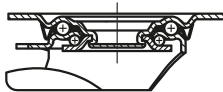
### Drawings



# Swivel and fixed castors steel plate, electrically conductive standard version

## Drawings

swivel head bearing:



## Overview of items

### Swivel and fixed castors, steel plate, electrically conductive standard version

Order No.	Item	Version 1	Wheel bearing	A	B	B1	B2	B3	D	D1	L	L1	L2	H	R	Permissible load kg
K1761.11080321	Fixed castor	without locking system	plain bearing	-	32	55	60	85	80	9	100	80	76	102	-	65
K1761.11100321	Fixed castor	without locking system	plain bearing	-	32	55	60	85	100	9	100	80	76	125	-	70
K1761.11125321	Fixed castor	without locking system	plain bearing	-	32	55	60	85	125	9	100	80	76	150	-	80
K1761.11160401	Fixed castor	without locking system	plain bearing	-	40	75	80	110	160	11	140	105	-	195	-	130
K1761.11200401	Fixed castor	without locking system	plain bearing	-	40	75	80	110	200	11	140	105	-	235	-	160
K1761.1108032	Swivel castor	without locking system	plain bearing	38	32	55	60	85	80	9	100	80	76	102	78	65
K1761.1110032	Swivel castor	without locking system	plain bearing	36	32	55	60	85	100	9	100	80	76	125	86	70
K1761.1112532	Swivel castor	without locking system	plain bearing	40	32	55	60	85	125	9	100	80	76	150	102,5	80
K1761.1116040	Swivel castor	without locking system	plain bearing	54	40	75	80	110	160	11	140	105	-	195	134	130
K1761.1120040	Swivel castor	without locking system	plain bearing	54	40	75	80	110	200	11	140	105	-	235	154	160
K1761.11080322	Swivel castor	with stop-fix locking system	plain bearing	38	32	55	60	85	80	9	100	80	76	102	78	65
K1761.11100322	Swivel castor	with stop-fix locking system	plain bearing	36	32	55	60	85	100	9	100	80	76	125	86	70
K1761.11125322	Swivel castor	with stop-fix locking system	plain bearing	40	32	55	60	85	125	9	100	80	76	150	102,5	80
K1761.11160402	Swivel castor	with stop-fix locking system	plain bearing	54	40	75	80	110	160	11	140	105	-	195	134	130
K1761.11200402	Swivel castor	with stop-fix locking system	plain bearing	54	40	75	80	110	200	11	140	105	-	235	154	160