

## Swivel and fixed castors electrically conductive, standard version

### Item description/product images



### Description

**Material:**

Housing steel plate.

Wheels with thermoplastic rubber tread.

Wheel body polypropylene.

**Version:**

Housing press formed.

Double ball bearing in the castor head.

Plain bearing in wheels.

**Note:**

Wheel axle threaded. Swivel and fixed castors with bolt hole. Electrically conductive wheels, non-marking grey. The ohmic resistance of the wheel is less than  $10^4\Omega$ .

**Application:**

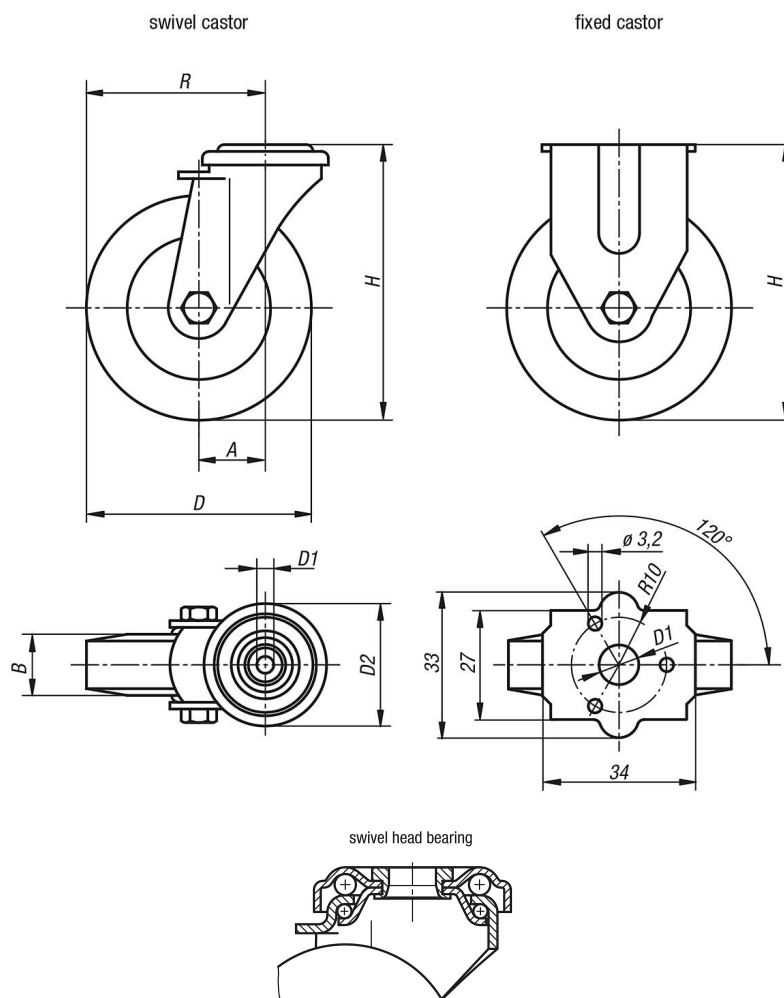
Electrically conductive wheels on swivel and fixed castors are used to protect against electrostatic discharge generated by transport equipment or the transported goods. Damage to sensitive goods and painful electrostatic shocks to the personal is so prevented.

**Temperature range:**

-20 °C to +60 °C.

# Swivel and fixed castors electrically conductive, standard version

## Drawings



## Overview of items

### Swivel and fixed castors standard version Swivel and fixed castors electrically conductive, standard version

Order No.	Item	Version 1	Wheel bearing	A	B	D	D1	D2	H	R	Permissible load kg
K1759.11050191	Fixed castor	without locking system	plain bearing	-	19	50	11	-	69	-	30
K1759.11075251	Fixed castor	without locking system	plain bearing	-	25	75	11	-	98	-	50
K1759.1105019	Swivel castor	without locking system	plain bearing	25	19	50	11	43	69	50	30
K1759.1107525	Swivel castor	without locking system	plain bearing	29	25	75	11	43	98	66,5	50
K1759.1110025	Swivel castor	without locking system	plain bearing	33	25	100	11	43	121	83	60
K1759.11050192	Swivel castor	with stop-fix locking system	plain bearing	25	19	50	11	43	69	50	30
K1759.11075252	Swivel castor	with stop-fix locking system	plain bearing	29	25	75	11	43	98	66,5	50
K1759.11100252	Swivel castor	with stop-fix locking system	plain bearing	33	25	100	11	43	121	83	60