

## Opening grips

### Item description/product images

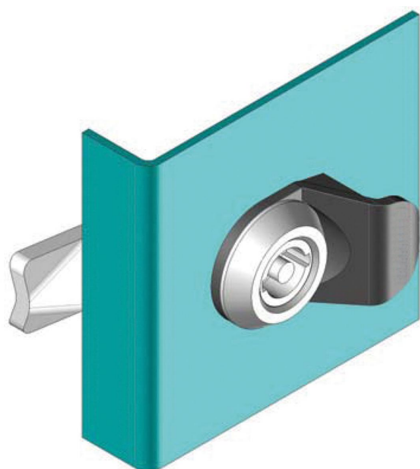


### Description

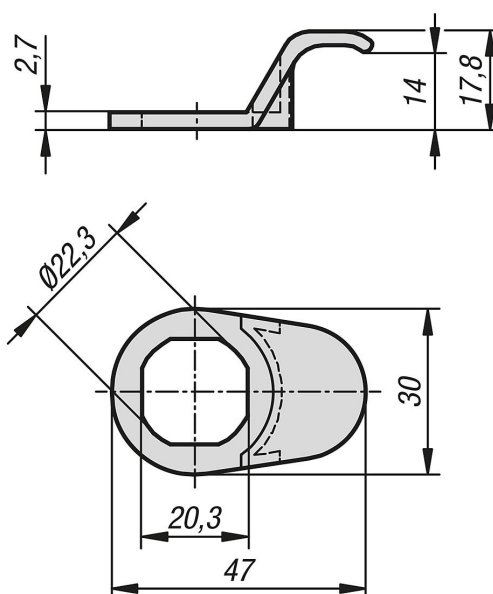
**Material:**  
Thermoplastic plastic (PA).

**Version:**  
Black.

**Note:**  
Practical opening grip for compression latches with a head diameter up to max. 30 mm. If the opening grip is used, dimension "A" of the compression latch is reduced by 2.5 mm.



### Drawings



### Overview of items

## Opening grips

Overview of items

---

### Opening grips

Order No.
K0534.202230