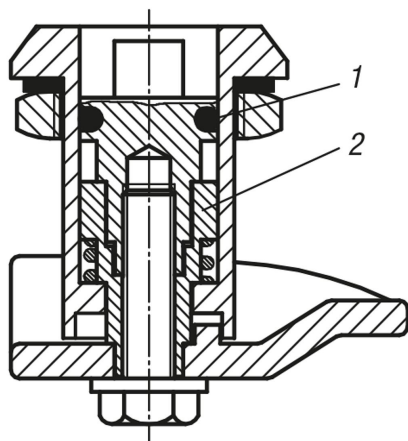


## Compression latches with stepped cam

### Item description/product images



### Description

#### Note:

Compression latches with stepped cam are primarily used for doors and housings that require a high pressure on the seal. Right or left deployment. The locking direction is always clockwise. By turning the actuator to the right the door can be pulled incrementally into the frame by up to 9.5 mm at a maximum rotation of 270°.

The fastening nut is an earthing nut with teeth one side.

Water and dust tight according to IP65.

#### Accessory:

Key K0535

#### Drawing reference:

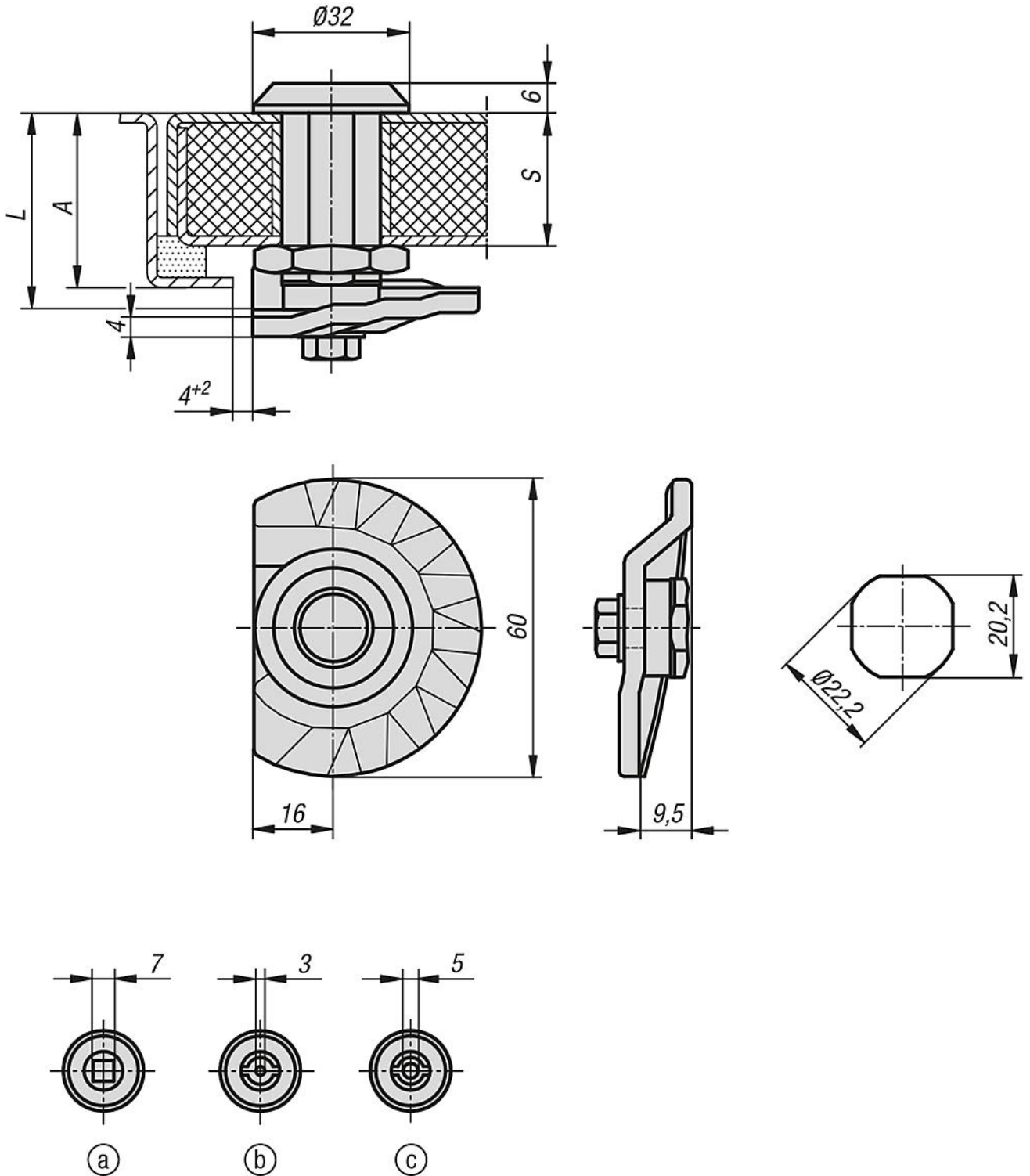
Actuation:

- a) square 7 mm
- b) double lug 3 mm
- c) double lug 5 mm

- 1) O-ring
- 2) Adapter

Compression latches with stepped cam

Drawings



Overview of items

Compression latches with stepped cam

## Compression latches with stepped cam

### Overview of items

Order No.	Actuation	A	L	S max.
K0527.17301	square 7 mm	30 -9,5	30	20
K0527.17401	square 7 mm	40 -9,5	40	30
K0527.17501	square 7 mm	50 -9,5	50	40
K0527.17601	square 7 mm	60 -9,5	60	50
K0527.43301	double lug 3 mm	30 -9,5	30	20
K0527.43401	double lug 3 mm	40 -9,5	40	30
K0527.43501	double lug 3 mm	50 -9,5	50	40
K0527.43601	double lug 3 mm	60 -9,5	60	50
K0527.45301	double lug 5 mm	30 -9,5	30	20
K0527.45401	double lug 5 mm	40 -9,5	40	30
K0527.45501	double lug 5 mm	50 -9,5	50	40
K0527.45601	double lug 5 mm	60 -9,5	60	50