

Tube inserts round with tapped bush

Item description/product images



Description

Material:

Body fibreglass reinforced thermoplastic.
Threaded insert brass.

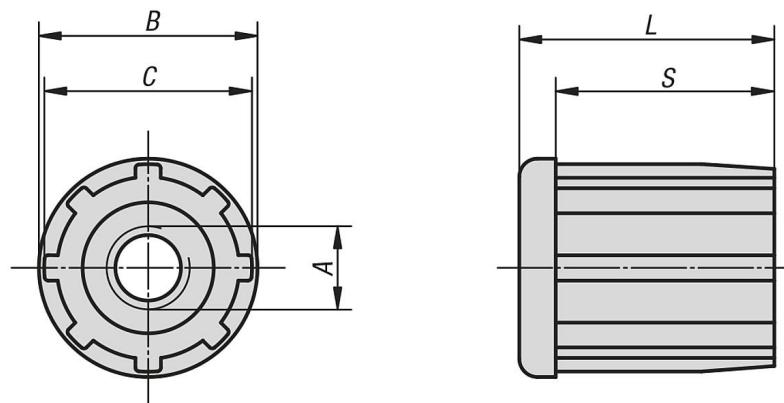
Version:

Insert black.
Tapped bush nickel-plated.

Note:

Threaded round inserts for attaching levelling feet, swivel feet and castors to round tubes.

Drawings



Overview of items

Tube inserts round with tapped bush

Order No.	A	B	C	L	S	Suitable for tubes	Load rating max. kN
K0431.103010	M10	30	28,4	33	27	Ø 30 x 1	5
K0431.123010	M12	30	28,4	33	27	Ø 30 x 1	5
K0431.143010	M14	30	28,4	33	27	Ø 30 x 1	5
K0431.163010	M16	30	28,4	33	27	Ø 30 x 1	5
K0431.103815	M10	38	35,5	43	35	Ø 38 x 1,5	5
K0431.123815	M12	38	35,5	43	35	Ø 38 x 1,5	5
K0431.163815	M16	38	35,5	43	35	Ø 38 x 1,5	5
K0431.104215	M10	42	39,9	43	35	Ø 42,4 x 1,5	6
K0431.124215	M12	42	39,9	43	35	Ø 42,4 x 1,5	6
K0431.144215	M14	42	39,9	43	35	Ø 42,4 x 1,5	6
K0431.164215	M16	42	39,9	43	35	Ø 42,4 x 1,5	6
K0431.204215	M20	42	39,9	43	35	Ø 42,4 x 1,5	6
K0431.124815	M12	48	45,8	55	44	Ø 48,3 x 1,5	6
K0431.144815	M14	48	45,8	55	44	Ø 48,3 x 1,5	6
K0431.164815	M16	48	45,8	55	44	Ø 48,3 x 1,5	6
K0431.204815	M20	48	45,8	55	44	Ø 48,3 x 1,5	6
K0431.125015	M12	50	48,4	55	44	Ø 50,9 x 1,5	6
K0431.145015	M14	50	48,4	55	44	Ø 50,9 x 1,5	6
K0431.165015	M16	50	48,4	55	44	Ø 50,9 x 1,5	6
K0431.205015	M20	50	48,4	55	44	Ø 50,9 x 1,5	6

