

Rest pads

Item description/product images



Description

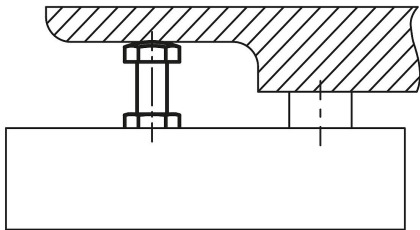
Material:

Carbon steel or brass

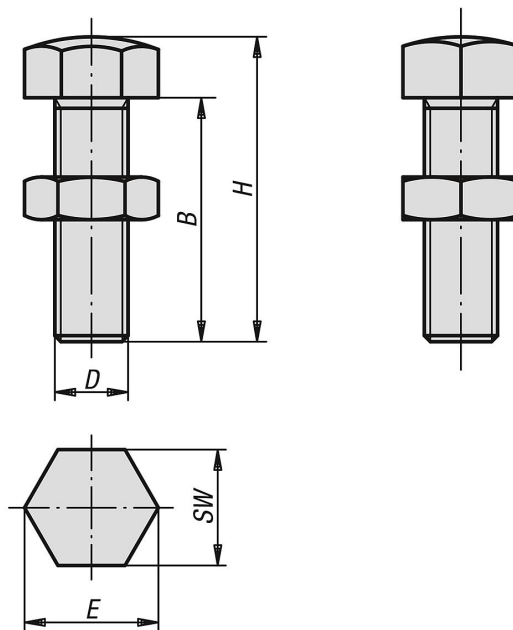
Version:

High-carbon steel tempered and black oxidised.

Brass bright.



Drawings



Overview of items

Rest pads

| Order No. | Main material | B | D | E | H | SW |
|-------------|---------------|----|-----|------|----|----|
| K0307.06030 | QT steel | 25 | M6 | 11,5 | 30 | 10 |
| K0307.06040 | QT steel | 35 | M6 | 11,5 | 40 | 10 |
| K0307.06050 | QT steel | 45 | M6 | 11,5 | 50 | 10 |
| K0307.08036 | QT steel | 30 | M8 | 15 | 36 | 13 |
| K0307.08046 | QT steel | 40 | M8 | 15 | 46 | 13 |
| K0307.08056 | QT steel | 50 | M8 | 15 | 56 | 13 |
| K0307.10042 | QT steel | 35 | M10 | 19,6 | 42 | 17 |
| K0307.10048 | QT steel | 40 | M10 | 19,6 | 48 | 17 |

Rest pads

Overview of items

| Order No. | Main material | B | D | E | H | SW |
|-------------|---------------|----|-----|------|----|----|
| K0307.10058 | QT steel | 50 | M10 | 19,6 | 58 | 17 |
| K0307.10068 | QT steel | 60 | M10 | 19,6 | 68 | 17 |
| K0307.12048 | QT steel | 42 | M12 | 21,9 | 50 | 19 |
| K0307.12070 | QT steel | 60 | M12 | 21,9 | 70 | 19 |
| K0307.12080 | QT steel | 70 | M12 | 21,9 | 80 | 19 |
| K0307.16055 | QT steel | 45 | M16 | 27,7 | 55 | 24 |
| K0307.16075 | QT steel | 65 | M16 | 27,7 | 75 | 24 |
| K0307.16085 | QT steel | 75 | M16 | 27,7 | 85 | 24 |
| K0307.12148 | brass | 42 | M12 | 21,9 | 50 | 19 |
| K0307.16155 | brass | 45 | M16 | 27,7 | 55 | 24 |