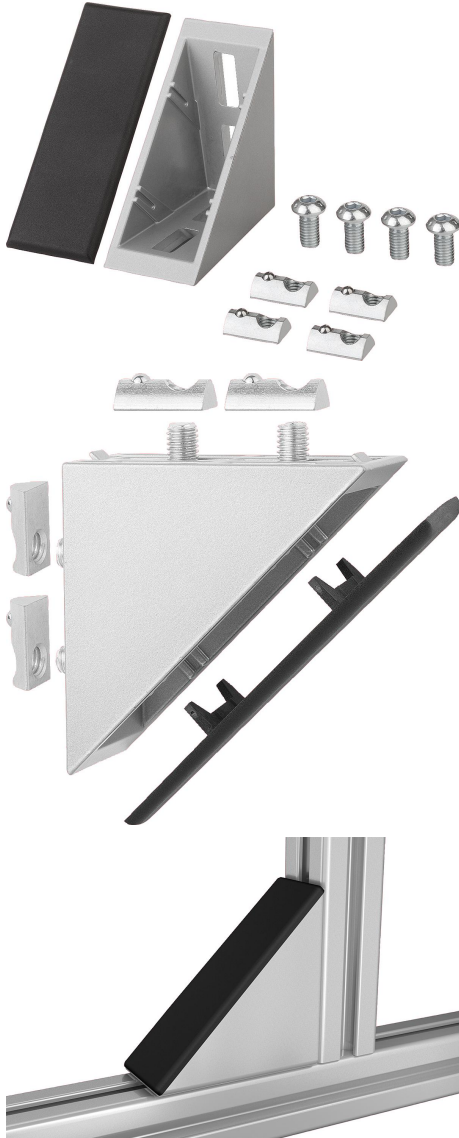


Angle sets Type I

Item description/product images



Description

Material:

Angle die-cast zinc.

Screws and slot nuts steel.

End cap polyamide, fibreglass reinforced.

Version:

Angle painted aluminium tone.

Screws and slot nuts electro zinc-plated.

End cap black.

Note:

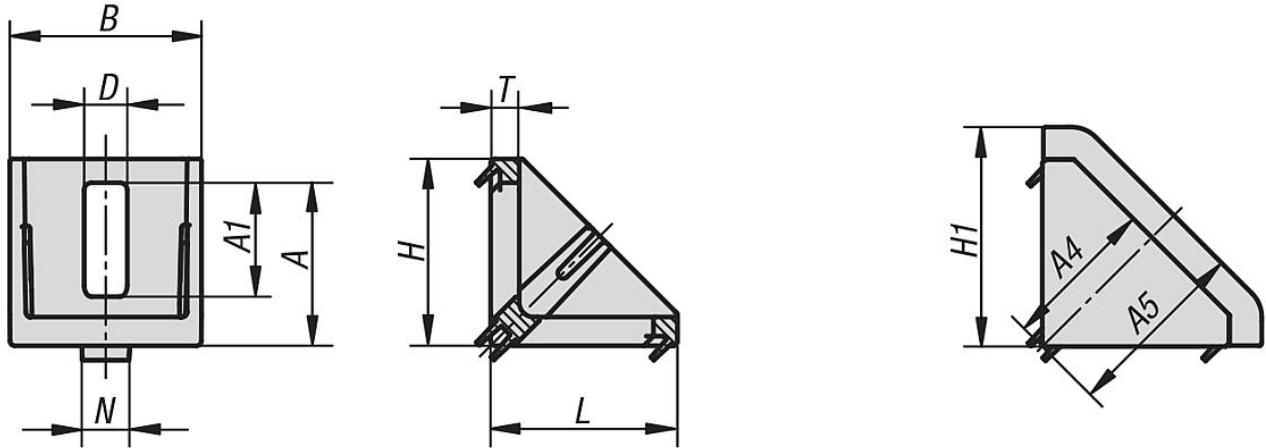
Suitable for reinforcing profile constructions and for frictional connection of profiles with each other without machining. Can also be used as fastening element (e.g. bracket) for any components.

The angles have centring lugs for accurate and twist-proof mounting. The centring lugs can be removed if necessary by breaking off i.e. for mounting plates. The open side can be closed off with the end cap.

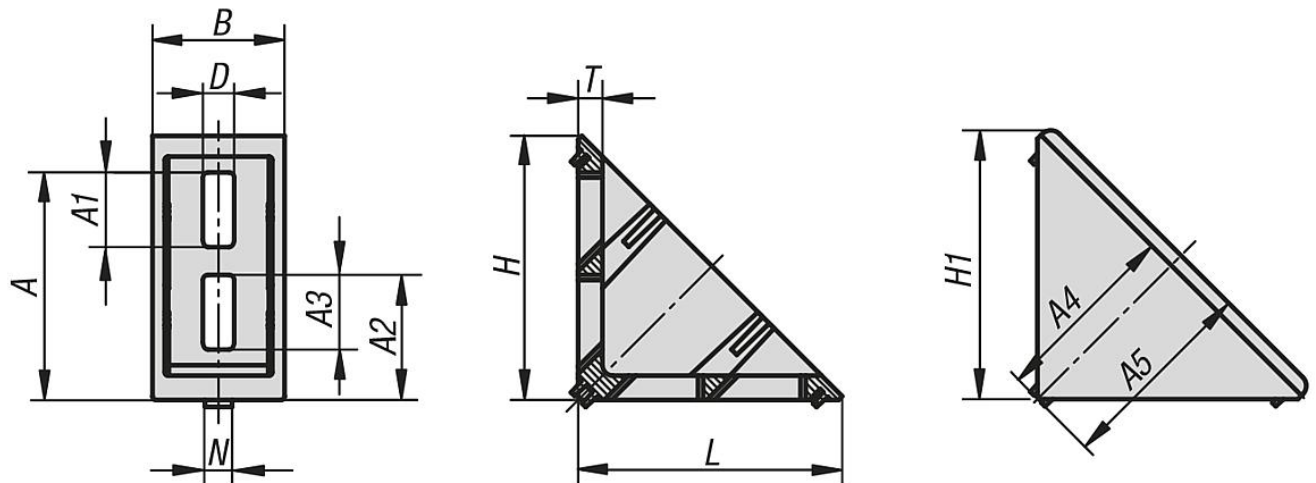
Angle sets Type I

Drawings

30x30 / 40x40



40x80



Overview of items

Angle sets Type I

Order No.	Type	Slot width	Version	A	A1	A2	A3	A4	A5	B	D	H	H1	L	N	T
K1045.063030	I	6	30 x 30	22,5	11	-	-	23	27	28	6,5	28	32	28	6	4
K1045.084040	I	8	40 x 40	34	24	-	-	32,5	39	40	9	39	46	39	8	6
K1045.088080	I	8	40 x 80	65,5	21,5	36	21,5	54,5	58,5	38	9	76	78	76	8	7

