

Hinges stainless steel

Item description/product images



Description

Material:

Stainless steel 1.4401.

Version:

Polished or blasted.

Note:

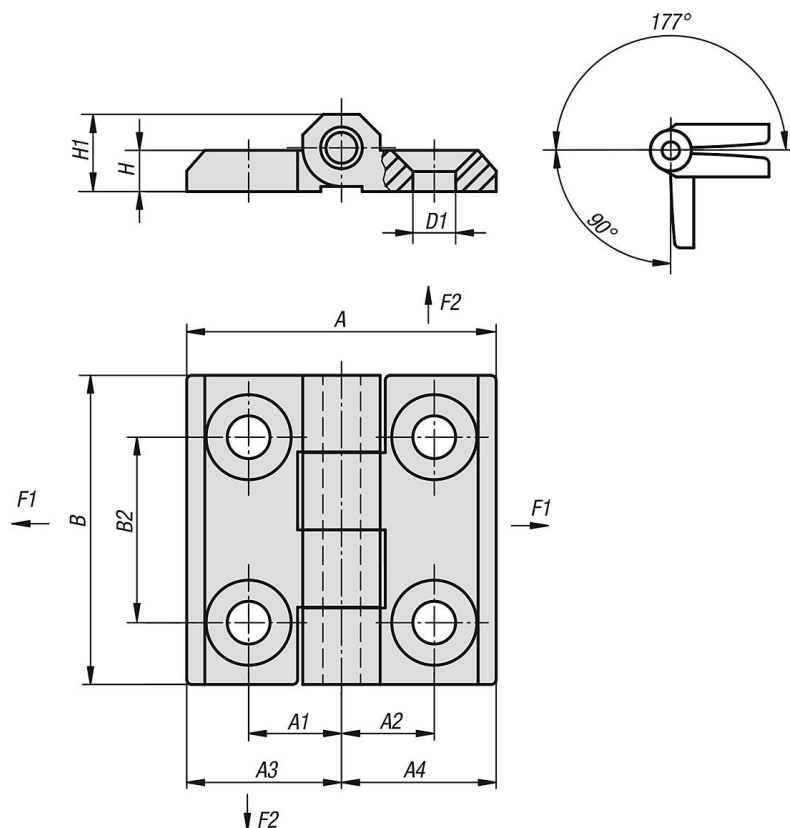
Hinges with fixed pin and countersunk holes.

The loading values given for the hinges are non-binding reference values without consideration of safety factors and exclude any liability. The values given are for information purposes only and do not constitute a legally binding assurance of properties.

The load values have been determined under laboratory conditions. Each user must determine individually whether the hinge is suitable for the respective application.

Different materials onto which the hinges are installed and the type of mounting, weather conditions and wear can influence the determined values.

Drawings



Overview of items

Hinges stainless steel

Overview of items

Hinges, stainless steel

Order No.	Main material	Surface finish body	A	A1	A2	A3	A4	B	B2	D1	H	H1	F1 N	F2 N
K1085.052013130	stainless steel A2	polished	39	12,5	12,5	19,5	19,5	39	25	5,5	4	9	800	600
K1085.052013131	stainless steel A2	blasted	39	12,5	12,5	19,5	19,5	39	25	5,5	4	9	800	600
K1085.062515150	stainless steel A2	polished	50	15	15	25	25	50	30	6,5	6	12	1100	900
K1085.062515151	stainless steel A2	blasted	50	15	15	25	25	50	30	6,5	6	12	1100	900
K1085.083018180	stainless steel A4	polished	60	18	18	30	30	60	36	8,5	8	15	2000	1500
K1085.083018181	stainless steel A4	-	60	18	18	30	30	60	36	8,5	8	15	2000	1500