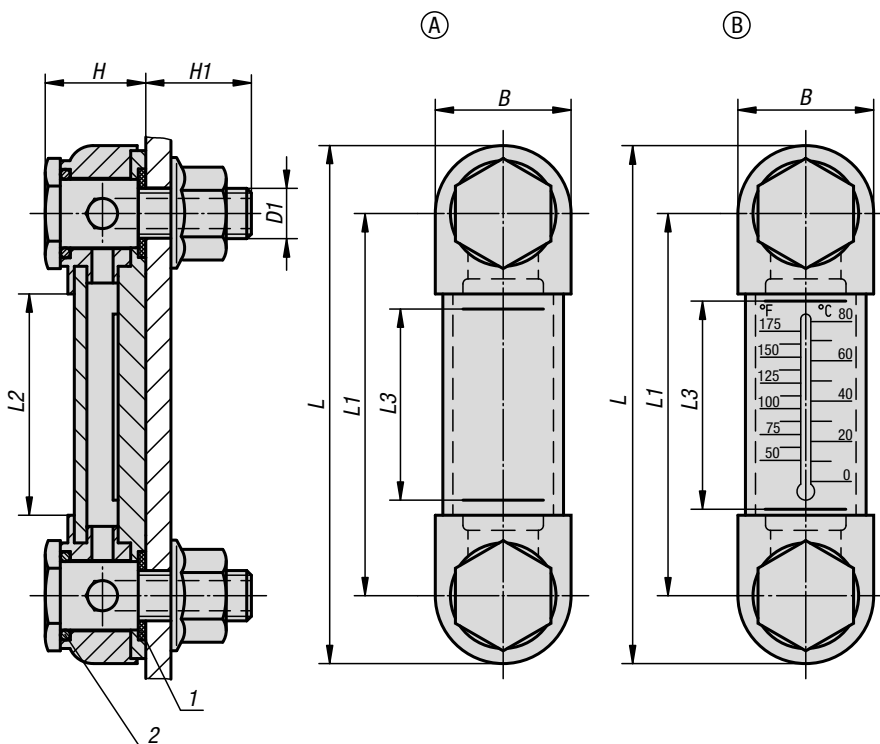


## Level indicators, screw plugs



## Oil level gauges



**Material:**

Housing thermoplastic polyamide.  
O-ring and flat seal rubber (NBR).  
Reflector aluminium.  
Screw and hex nut steel.

**Version:**

Transparent housing, high mechanical stability, non-ageing, temperature resistant up to 100 °C.  
Pressure resistant at 20 °C up to 10 bar, at 60 °C up to 8 bar.  
Reflector painted white, line marks and scale black.  
Screw and hexagon nut, electro zinc-plated.

**Sample order:**

K0443.1127

**Note:**

The oil level gauges can either be fastened as shown in the illustration or screwed directly into a tapped hole. Centre distance for the fastening holes =  $L1 \pm 0.3$ . The max. tightening torque for the fastening screws is 5 Nm.

**Drawing reference:**

Form A: without thermometer  
Form B: with thermometer

- 1) flat seal
- 2) O-ring

### KIPP Oil level gauges

Order No.	Form	B	D1	H	H1	L	L1	L2	L3	Number of fastening screws	Thermometer scale
K0443.1076	A	27	M10	20	21	103	76	44	37	2	-
K0443.1127	A	27	M12	19	18	151	127	95	80	2	-
K0443.2076	B	27	M10	20	21	103	76	44	37	2	0 - 80 °C / 50 - 175 °F
K0443.2127	B	27	M12	19	18	151	127	95	80	2	0 - 100 °C / 50 - 200 °F

## Oil level gauges



**Material:**

Housing steel.  
Viewing glass thermoplastic polyamide.  
O-ring and flat seal rubber (NBR).  
Reflector aluminium.  
Screw and hex nut steel.

**Version:**

Housing painted black.  
Transparent viewing glass, high mechanical stability, non-ageing, temperature resistant with oil up to 100 °C, with water up to 70 °C.  
Reflector painted white, markings and scale black.  
Screw and hexagon nut, electro zinc-plated.

**Sample order:**

K0444.107610

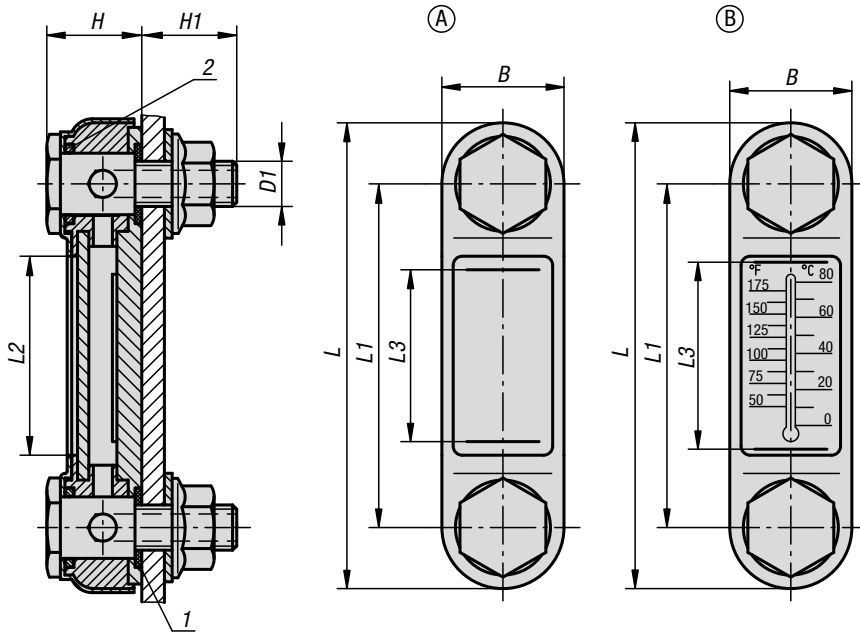
**Note:**

The oil level gauges can either be fastened as shown in the illustration or directly in the threaded hole.  
Centre distance for the fastening holes =  $L1 \pm 0.5$ .  
The oil level gauges are suitable for tanks operating without pressure.  
Maximum operating temperature: 100 °C.

**Drawing reference:**

Form A: without thermometer  
Form B: with thermometer

- 1) flat seal
- 2) O-ring



### KIPP Oil level gauges

Order No.	Form	B	D1	H	H1	L	L1	L2	L3	Number of fastening screws	Thermometer scale
K0444.107610	A	31	M10	24,5	20	107	76	39	37	2	-
K0444.107612	A	31	M12	24,5	20	107	76	39	37	2	-
K0444.112710	A	31	M10	24,5	20	156	127	90	80	2	-
K0444.112712	A	31	M12	24,5	20	156	127	90	80	2	-
K0444.125412	A	34	M12	33	17	286	254	200	178	2	-
K0444.207610	B	31	M10	24,5	20	107	76	39	37	2	0 - 80 °C / 50 - 175 °F
K0444.207612	B	31	M12	24,5	20	107	76	39	37	2	0 - 80 °C / 50 - 175 °F
K0444.212710	B	31	M10	24,5	20	156	127	90	80	2	0 - 100 °C / 50 - 200 °F
K0444.212712	B	31	M12	24,5	20	156	127	90	80	2	0 - 100 °C / 50 - 200 °F
K0444.225412	B	34	M12	33	17	286	254	200	178	2	0 - 100 °C / 50 - 200 °F

# Oil level gauges

with electronic oil level monitoring



### Material:

Housing fibreglass reinforced thermoplastic polyamide.  
Sight glass thermoplastic polyamide.  
O-ring and flat seal NBR.  
Reflector PVC.  
Float plastic.  
Screw and nut, steel.

### Version:

Housing black.  
Sight glass crystal clear, high mechanical stability, non-ageing.  
Reflector white.  
Float red, with magnetic element.  
Screw and nut electro zinc-plated.

### Sample order:

K1425.12712

### Note:

The oil level gauge not only enables the oil level to be viewed but also recorded using a REED switch. When the float element reaches the selected minimum value after the circuit has been closed, the system emits an electric signal.

The sensor is located on the housing and its height can be adjusted in line with the control requirements for the oil level. The minimum level is ca. 35 mm from the centre of the lower fastening screw.

The reed switch is equipped with a normally open (NO) contact as standard. The sight glass consists of two transparent components which are ultrasonically welded together following assembly. This ensures a seal around the entire body.

The maximum pressure is 1 bar. The maximum tightening torque of the fastening screws is 5 Nm.

The sight glass has high mechanical strength and is resistant to mineral oil, petrol, lubricants, petroleum, solvents and most chemical substances. Avoid contact with alcoholic solutions and hot water.

### Temperature range:

Maximum operating temperature: 75 °C.

### Assembly:

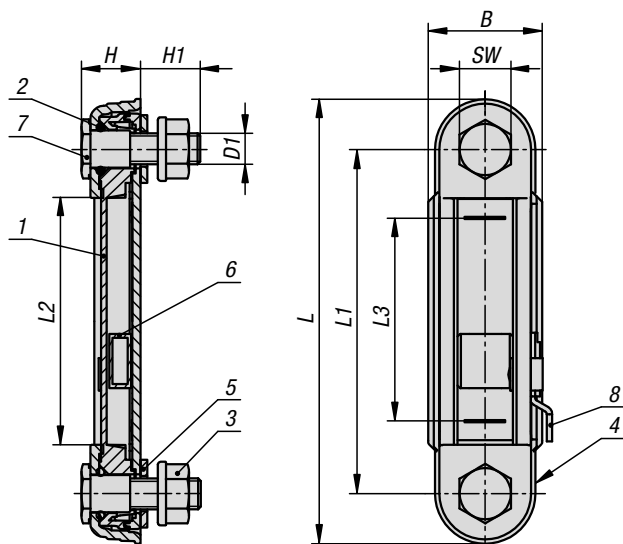
The oil level gauge is secured using two M12 tapped holes or, two 12.2 mm ( $\pm 0.2$  mm) holes and flange nuts. Centre distance for the fastening holes =  $L1 \pm 0.3$ .

### Function:

The oil level is measured using a float element with a magnet that activates the electrical contact when the REED level switch is reached. If the oil level falls below a particular level, an electrical pulse can be emitted.

### Attention:

Strong magnetic fields can impair function.



### Drawing reference:

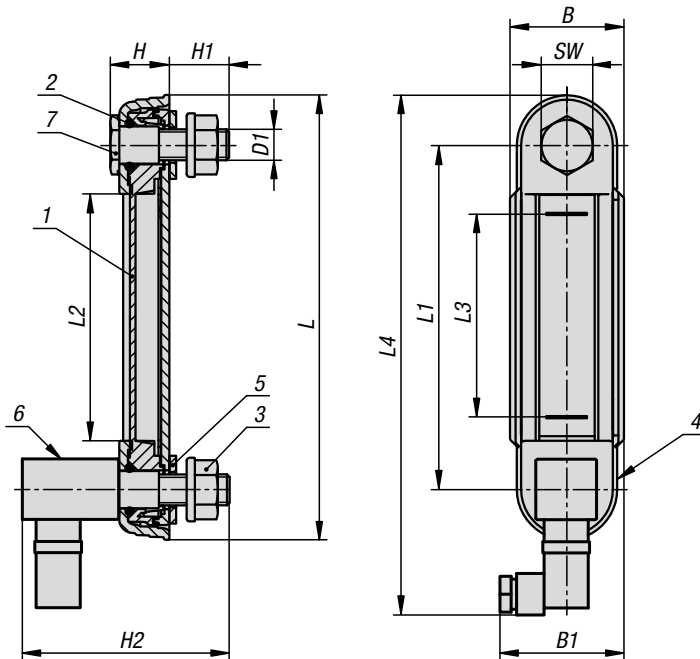
- 1) Sight glass
- 2) O-ring
- 3) M12 flange nut
- 4) Housing
- 5) Flat seal
- 6) Float with magnet
- 7) M12 hollow screw
- 8) Reed switch

## KIPP Oil level gauge with electric oil level monitoring

Order No.	B	D1	H	H1	L	L1	L2	L3	SW	Number of fastening screws
K1425.12712	42	M12	21	21	164	127	91	75	19	2

# Oil level gauges

with electronic temperature monitoring



### Material:

Housing fibreglass reinforced thermoplastic polyamide.  
Sight glass thermoplastic polyamide.  
O-ring and flat seal NBR.  
Reflector PVC.  
Screw and nut, steel.

### Version:

Housing black.  
Sight glass crystal clear, high mechanical stability, non-ageing.  
Reflector white.  
Screw and nut electro zinc-plated.

### Sample order:

K1426.112712

### Note:

In addition to a visual check, the oil level gauges can also emit an electric signal if the temperature of the liquid inside the container reaches the threshold of 70 °C. The temperature is monitored by a temperature switch (bi-metal). When the specified temperature is reached, the sensor closes (NO) or opens (NC) the circuit depending on the model. The sight glass consists of two transparent components which are ultrasonically welded together following assembly. This ensures a seal around the entire body. The maximum pressure is 1 bar. The maximum tightening torque of the fastening screws is 5 Nm. The sight glass has high mechanical strength and is resistant to mineral oil, petrol, lubricants, petroleum, solvents and most chemical substances. Avoid contact with alcoholic solutions and hot water.

### Temperature range:

Maximum operating temperature: 75 °C.

### Assembly:

The oil level gauge is secured using two M12 tapped holes or, two 12.2 mm ( $\pm 0.2$  mm) holes and flange nuts. Centre distance for the fastening holes =  $L1 \pm 0.3$ .

### Drawing reference:

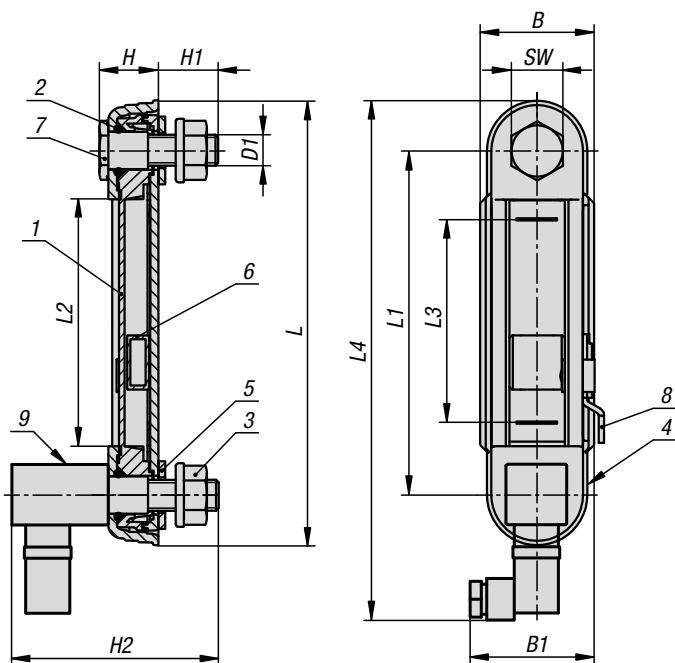
- 1) Inspection glass
- 2) O-ring
- 3) M12 flange nut
- 4) Housing
- 5) Flat seal
- 6) Temperature sensor
- 7) M12 hollow screw

## KIPP Oil level gauge with electric temperature monitoring

Order No.	Version 2	B	B1	D1	H	H1	H2	L	L1	L2	L3	L4	SW	Number of fastening screws
K1426.112712	normally open contact	42	45	M12	21	21	80	164	127	91	75	191	19	2
K1426.212712	normally closed contact	42	45	M12	21	21	80	164	127	91	75	191	19	2

## Oil level gauges

with electronic oil level and temperature monitoring



**Material:**

Housing fibreglass reinforced thermoplastic polyamide.  
Sight glass thermoplastic polyamide.  
O-ring and flat seal NBR.  
Reflector PVC.  
Float plastic.  
Screw and nut, steel.

**Version:**

Housing black.  
Sight glass crystal clear, high mechanical stability, non-ageing.  
Reflector white.  
Float red, with magnetic element.  
Screw and nut electro zinc-plated.

**Sample order:**

K1427.112712

**Note:**

The oil level gauge not only enables the oil level to be viewed but also recorded using a REED switch. In addition, the oil level gauges can also emit an electric signal if the temperature of the liquid inside the container reaches the threshold of 70 °C. As soon as the float element approaches the selected minimum value after the circuit has been closed, the system emits an electric signal. The sensor is located on the housing and its height can be adjusted in line with the control requirements for the oil level. The minimum level is ca. 35 mm from the centre of the lower fastening screw. The reed switch is equipped with a normally open (NO) contact as standard. The temperature is monitored by a temperature switch (bi-metal). When the specified temperature is reached, the sensor closes (NO) or opens (NC) the circuit depending on the model. The sight glass consists of two transparent components which are ultrasonically welded together following assembly. This ensures a seal around the entire body. The maximum pressure is 1 bar. The maximum tightening torque of the fastening screws is 5 Nm. The sight glass has high mechanical strength and is resistant to mineral oil, petrol, lubricants, petroleum, solvents and most chemical substances. Avoid contact with alcoholic solutions and hot water.

**Temperature range:**

Maximum operating temperature: 75 °C.

**Assembly:**

The oil level gauge is secured using two M12 tapped holes or, two 12.2 mm (± 0.2 mm) holes and flange nuts. Centre distance for the fastening holes = L1 ±0.3.

**Function:**

The oil level is measured using a float element with a magnet that activates the electrical contact when the REED level switch is reached. If the oil level falls below a particular level, an electrical pulse can be emitted.

**Attention:**

Strong magnetic fields can impair function.

**Drawing reference:**

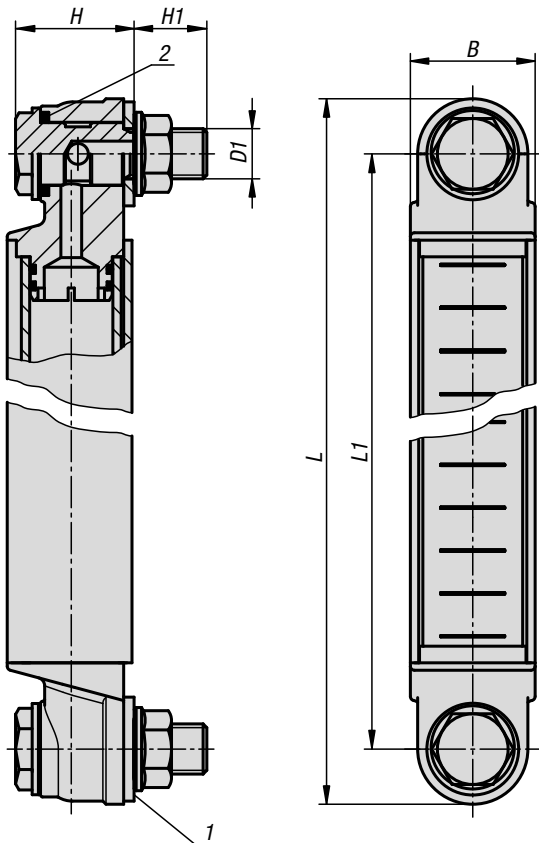
- 1) Sight glass
- 2) O-ring
- 3) M12 flange nut
- 4) Housing
- 5) Flat seal
- 6) Float with magnet
- 7) M12 hollow screw
- 8) Reed switch
- 9) Temperature sensor

**KIPP Oil level gauge with electric oil level and temperature monitoring**

Order No.	Version 2	B	B1	D1	H	H1	H2	L	L1	L2	L3	L4	SW	Number of fastening screws
K1427.112712	normally open contact	42	45	M12	21	21	80	164	127	91	75	191	19	2
K1427.212712	normally closed contact	42	45	M12	21	21	80	164	127	91	75	191	19	2

## Oil level gauges

long version



**Material:**

Housing aluminium.  
 Tube polycarbonate.  
 Caps polyamide.  
 O-ring and flat seal NBR, Shore 70.  
 Screw and hex. nut steel.

**Version:**

Viewing glass transparent.  
 Screws and nuts electro zinc-plated.

**Sample order:**

K1100.1400

**Note:**

The oil level gauges can either be fastened as shown in the illustration or directly in the tapped hole. Centre distance for the fastening holes =  $L1 \pm 0.3$ . The maximum operating temperature is 90 °C. The maximum pressure is 1 bar. The maximum tightening torque of the fastening screws is 5 Nm.

**Drawing reference:**

- 1) flat seal
- 2) O-ring

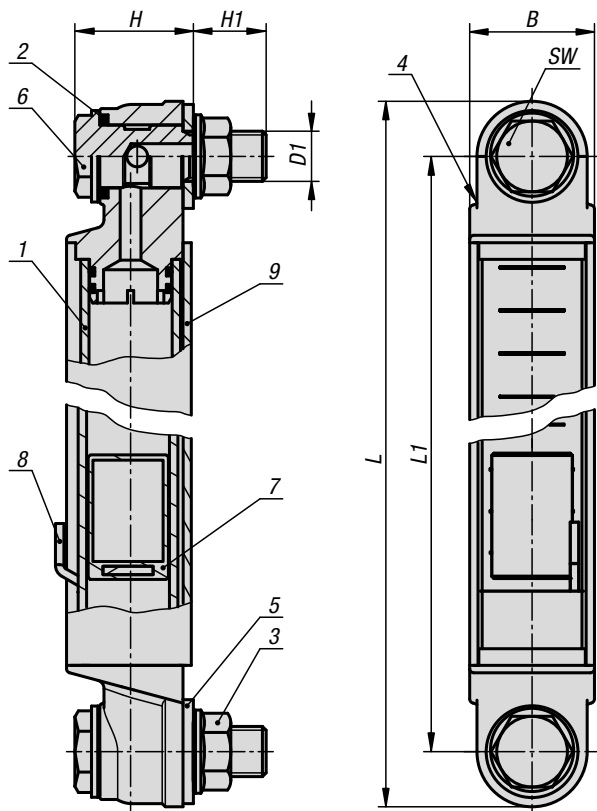


**KIPP Oil level gauges long version**

Order No.	B	D1	H	H1	L	L1
K1100.1300	30	M12	30	16,5	325	300
K1100.1400	30	M12	30	16,5	425	400
K1100.1500	30	M12	30	16,5	525	500

# Oil level gauges

with electronic oil level monitoring, long version



### Drawing reference:

- 1) Sight glass
- 2) O-ring
- 3) M12 flange nut
- 4) Plastic end cap
- 5) Flat seal
- 6) M12 hollow screw
- 7) Float with magnet
- 8) Reed switch
- 9) Aluminium housing

### Material:

Housing aluminium.  
 Tube polycarbonate.  
 Caps polyamide.  
 O-ring and flat seal NBR.  
 Reflector PVC.  
 Float plastic.  
 Screws and nuts, steel.

### Version:

Sight glass crystal clear.  
 Reflector white.  
 Float red, with magnetic element.  
 Screws and nuts electro zinc-plated.

### Sample order:

K1428.300

### Note:

The oil level gauge not only enables the oil level to be viewed but also recorded using a REED switch. If the float element reaches the selected minimum value after the circuit has been closed, the system emits an electric signal.

The sensor is located on the sight glass and its height can be adjusted in line with the control requirements for the oil level. The minimum level is around 50 mm from the centre of the lower fastening screw.

The reed switch is equipped with a normally open (NO) contact as standard.

The maximum pressure is 1 bar. The maximum tightening torque of the fastening screws is 5 Nm.

The sight glass has high mechanical strength and is resistant to mineral oil, petrol, lubricants, petroleum, solvents and most chemical substances. Avoid contact with alcoholic solutions and hot water.

### Temperature range:

Maximum operating temperature: 75 °C.

### Assembly:

The oil level gauge is secured using two M12 tapped holes or, two 12.2 mm ( $\pm 0.2$  mm) holes and flange nuts. Centre distance for the fastening holes =  $L1 \pm 0.5$ .

### Function:

The oil level is measured using a float element with a magnet that activates the electrical contact when the REED level switch is reached. If the oil level falls below a particular level, an electrical pulse can be emitted.

### Attention:

Strong magnetic fields can impair function.

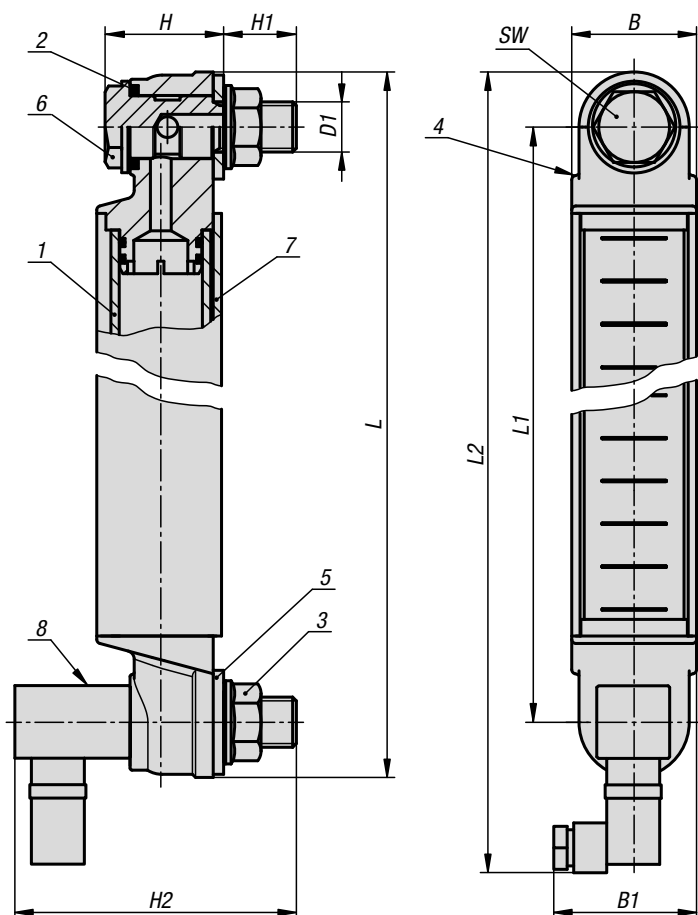
## KIPP Oil level gauge with electric oil level monitoring, long version

Order No.	B	D1	H	H1	L	L1	SW	Number of fastening screws
K1428.300	30	M12	30	16,5	326,6	300	17	2
K1428.400	30	M12	30	16,5	426,6	400	17	2
K1428.500	30	M12	30	16,5	526,6	500	17	2



## Oil level gauges

with electronic temperature monitoring, long version



### Material:

Housing aluminium.  
 Tube polycarbonate.  
 Caps polyamide.  
 O-ring and flat seal NBR.  
 Reflector PVC.  
 Screws and nuts, steel.

### Version:

Sight glass crystal clear.  
 Reflector white.  
 Screws and nuts electro zinc-plated.

### Sample order:

K1429.1300

### Note:

In addition to a visual check, the oil level gauges can also emit an electric signal if the temperature of the liquid inside the container reaches the threshold of 70 °C. The temperature is monitored by a temperature switch (bi-metal). When the specified temperature is reached, the sensor closes (NO) or opens (NC) the circuit depending on the model. The maximum pressure is 1 bar. The maximum tightening torque of the fastening screws is 5 Nm. The sight glass has high mechanical strength and is resistant to mineral oil, petrol, lubricants, petroleum, solvents and most chemical substances. Avoid contact with alcoholic solutions and hot water.

### Temperature range:

Maximum operating temperature: 75 °C.

### Assembly:

The oil level gauge is secured using two M12 tapped holes or, two 12.2 mm (± 0.2 mm) holes and flange nuts. Centre distance for the fastening holes =  $L1 \pm 0.5$ .

### Drawing reference:

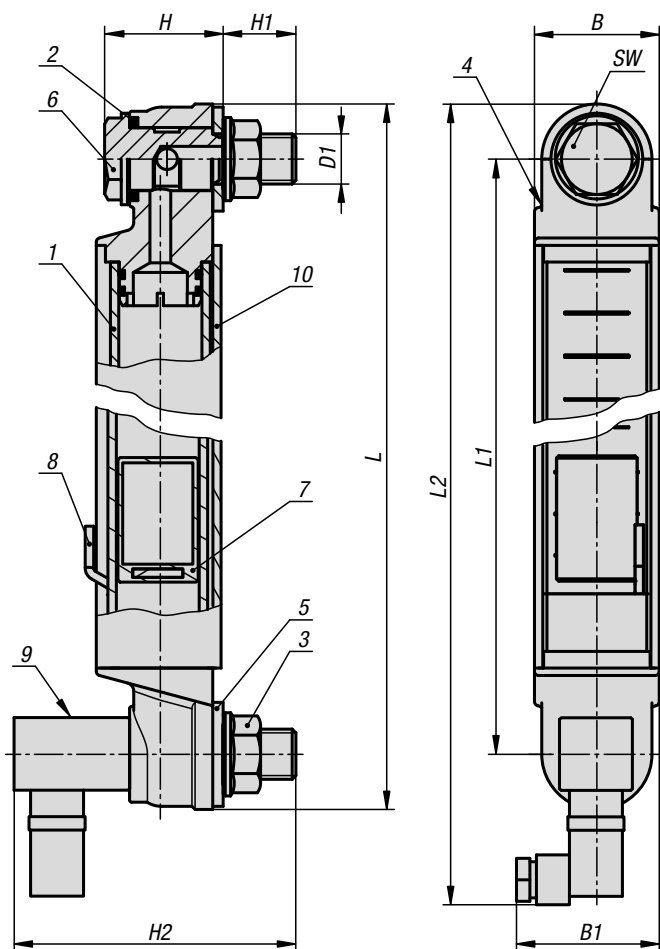
- 1) Sight glass
- 2) O-ring
- 3) M12 flange nut
- 4) Plastic end cap
- 5) Flat seal
- 6) M12 hollow screw
- 7) Aluminium housing
- 8) Temperature sensor

## KIPP Oil level gauge with electric temperature monitoring, long version

Order No.	Version 2	B	B1	D1	H	H1	H2	L	L1	L2	SW	Number of fastening screws
K1429.1300	normally open contact	30	39	M12	30	16,5	80	326,6	300	358,3	17	2
K1429.2300	normally closed contact	30	39	M12	30	16,5	80	326,6	300	358,3	17	2
K1429.1400	normally open contact	30	39	M12	30	16,5	80	426,6	400	458,3	17	2
K1429.2400	normally closed contact	30	39	M12	30	16,5	80	426,6	400	458,3	17	2
K1429.1500	normally open contact	30	39	M12	30	16,5	80	526,6	500	558,3	17	2
K1429.2500	normally closed contact	30	39	M12	30	16,5	80	526,6	500	558,3	17	2

# Oil level gauges

with electronic oil level and temperature monitoring, long version



### Drawing reference:

- 1) Sight glass
- 2) O-ring
- 3) M12 flange nut
- 4) Plastic end cap
- 5) Flat seal
- 6) M12 hollow screw
- 7) Float with magnet
- 8) Reed switch
- 9) Temperature sensor
- 10) Aluminium housing

### Material:

Housing aluminium.  
 Tube polycarbonate.  
 Caps polyamide.  
 O-ring and flat seal NBR.  
 Reflector PVC.  
 Float plastic.  
 Screws and nuts, steel.

### Version:

Sight glass crystal clear.  
 Reflector white.  
 Float red, with magnetic element.  
 Screws and nuts electro zinc-plated.

### Sample order:

K1430.1300

### Note:

The oil level gauge not only enables the oil level to be viewed but also recorded using a REED switch. In addition, the oil level gauges can also emit an electric signal if the temperature of the liquid inside the container reaches the threshold of 70 °C.

As soon as the float element approaches the selected minimum value after the circuit has been closed, the system emits an electric signal.

The sensor is located on the housing and its height can be adjusted in line with the control requirements for the oil level. The minimum level is ca. 35 mm from the centre of the lower fastening screw. The reed switch is equipped with a normally open (NO) contact as standard.

The temperature is monitored by a temperature switch (bi-metal). When the specified temperature is reached, the sensor closes (NO) or opens (NC) the circuit depending on the model.

The maximum pressure is 1 bar. The maximum tightening torque of the fastening screws is 5 Nm.

The sight glass has high mechanical strength and is resistant to mineral oil, petrol, lubricants, petroleum, solvents and most chemical substances. Avoid contact with alcoholic solutions and hot water.

### Assembly:

The oil level gauge is secured using two M12 tapped holes or two 12.2 mm ( $\pm 0.2$  mm) holes and flange nuts. Centre distance for the fastening holes =  $L1 \pm 0.5$ .

### Function:

The oil level is measured using a float element with a magnet that activates the electrical contact when the REED level switch is reached. If the oil level falls below a particular level, an electrical pulse can be emitted.

### Attention:

Strong magnetic fields can impair function.

# Oil level gauges

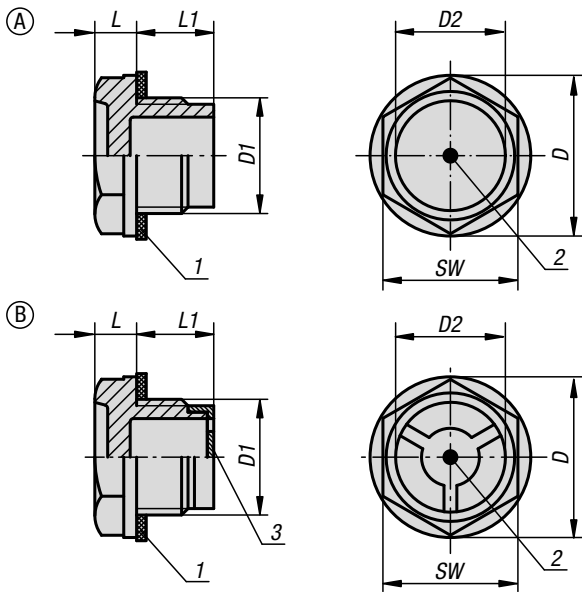
with electronic oil level and temperature monitoring, long version



## KIPP Oil level gauge with electric oil level and temperature monitoring, long version

Order No.	Version 2	B	B1	D1	H	H1	H2	L	L1	L2	SW	Number of fastening screws
<b>K1430.1300</b>	normally open contact	30	39	M12	30	16,5	80	326,6	300	358,3	17	2
<b>K1430.2300</b>	normally closed contact	30	39	M12	30	16,5	80	326,6	300	358,3	17	2
<b>K1430.1400</b>	normally open contact	30	39	M12	30	16,5	80	426,6	400	458,3	17	2
<b>K1430.2400</b>	normally closed contact	30	39	M12	30	16,5	80	426,6	400	458,3	17	2
<b>K1430.1500</b>	normally open contact	30	39	M12	30	16,5	80	526,6	500	558,3	17	2
<b>K1430.2500</b>	normally closed contact	30	39	M12	30	16,5	80	526,6	500	558,3	17	2

## Oil level sight glasses



**Material:**

Housing in thermoplastic polyamide.  
Plastic reflector.

**Version:**

Housing, transparent, high mechanical stability, non-ageing, temperature resistant with oil up to 90 °C, resistant to solvents but not to alcohol or frost.  
Flat seal, asbestos-free.  
Reflector white.

**Sample order:**

K0445.143100

**On request:**

Rubber gasket (NBR).

**Drawing reference:**

Form A: without reflector  
Form B: with reflector

**KIPP Oil level sight glasses**

Order No.	Form	D	D1	D2	L	L1	SW	Tightening torque max. Nm
K0445.120014	A	20,5	G1/4	12	8	8,5	17	5
K0445.122038	A	22	G3/8	12	6,5	12	18	7
K0445.128012	A	28	G1/2	16	8	12	24	15
K0445.135034	A	36	G3/4	21	8,5	13,5	30	20
K0445.143100	A	42	G1	30	9	16	36	25
K0445.151114	A	51	G1 1/4	32	10	17	42	-
K0445.158112	A	58	G1 1/2	39	10	21	50	-
K0445.174200	A	74	G2	48	12	20	64	-
K0445.1201415	A	20	M14X1,5	12	7,5	8	17	5
K0445.1221615	A	22	M16X1,5	12	6,5	12,5	18	7
K0445.1251815	A	25,5	M18X1,5	14	6	12,5	21	10
K0445.1282015	A	28	M20X1,5	16	7,5	12	24	15
K0445.1282215	A	28	M22X1,5	16	7,5	12,5	24	15
K0445.1362615	A	36	M26X1,5	21	8,5	13,5	30	20
K0445.1362715	A	36	M27X1,5	21	8,5	13,5	30	20
K0445.1514015	A	51	M40X1,5	32	10	17	42	-
K0445.222038	B	22	G3/8	12	6,5	12	18	7
K0445.228012	B	28	G1/2	16	8	12	24	15
K0445.235034	B	36	G3/4	21	8,5	13,5	30	20
K0445.243100	B	42	G1	30	9	16	36	25
K0445.251114	B	51	G1 1/4	32	10	17	42	-
K0445.258112	B	58	G1 1/2	39	10	21	50	-
K0445.274200	B	74	G2	48	12	20	64	-
K0445.2221615	B	22	M16X1,5	12	6,5	12,5	18	7
K0445.2251815	B	25,5	M18X1,5	14	6	12,5	21	10
K0445.2282015	B	28	M20X1,5	16	7,5	12	24	15
K0445.2282215	B	28	M22X1,5	16	7,5	12,5	24	15
K0445.2362615	B	36	M26X1,5	21	8,5	13,5	30	20
K0445.2362715	B	36	M27X1,5	21	8,5	13,5	30	20
K0445.2514015	B	51	M40X1,5	32	10	17	42	-

- 1) flat seal
- 2) check mark
- 3) reflector

## Oil level sight glasses

press-in



**Material:**

Housing thermoplastic polyamide.  
O-ring NBR, Shore 70.  
Reflector plastic.

**Version:**

Housing, transparent, high mechanical stability, non-ageing, temperature resistant up to 90 °C, resistant to solvents but not to alcohol or frost.  
Reflector white.

**Sample order:**

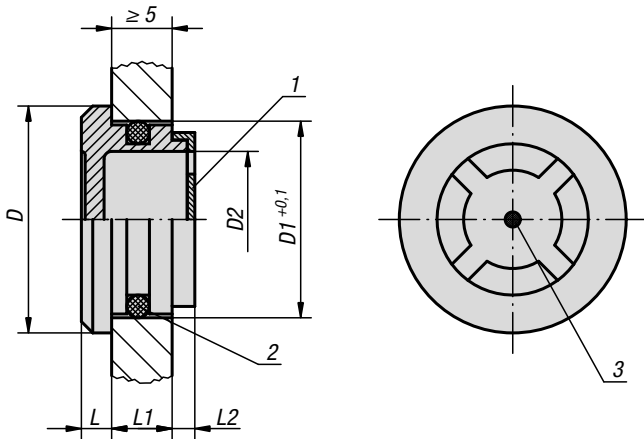
K0446.3026

**Note:**

For use where there is no internal pressure.

**Drawing reference:**

- 1) reflector
- 2) O-ring
- 3) check mark



**KIPP Oil level sight glasses, press-in**

Order No.	D	D1	D2	L	L1	L2
K0446.2420	24	20	14	4	7	3
K0446.3026	30	26	20	4	8	3,5
K0446.3632	36	32	24	4	9	4
K0446.4238	42	38	30	4	10	4
K0446.4440	44	40	32	4	10	4

## Oil level sight glasses

domed



**Material:**

Housing in thermoplastic polyamide.

**Version:**

Housing, transparent, high mechanical stability, non-ageing, temperature resistant with oil up to 100 °C, with water up to 70 °C. Resistant to solvents but not alcohol. Flat seal, asbestos-free.

**Sample order:**

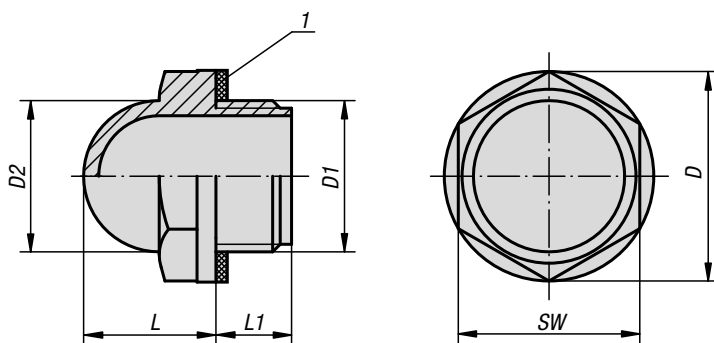
K0447.28012

**On request:**

Rubber gasket (NBR).

**Drawing reference:**

- 1) flat seal

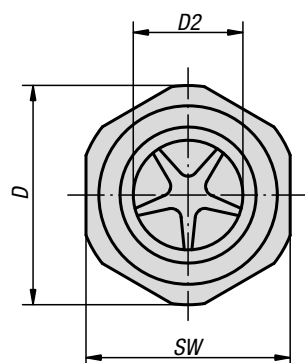
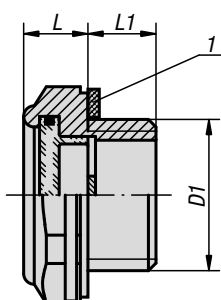


**KIPP Oil level sight glasses, domed**

Order No.	D	D1	D2	L	L1	SW	Tightening torque max. Nm
K0447.22038	22	G3/8	15	14	10	19	8
K0447.28012	28	G1/2	20	17	10	24	12
K0447.35034	35	G3/4	25	20	10	30	16
K0447.42100	42	G1	31	24	10,5	36	20

## Oil level sight glasses

aluminium



**Material:**

Housing in aluminium.  
Reflector in aluminium or white plastic.  
Polyamide viewing lens.

**Version:**

Transparent viewing lens,  
temperature-resistant with oil up to 100 °C,  
with water up to 70 °C.  
Flat seal, asbestos-free.

**Sample order:**

K0448.29012

**Note:**

The G3/8" and M18x1.5 versions have a white plastic reflector.

**Drawing reference:**

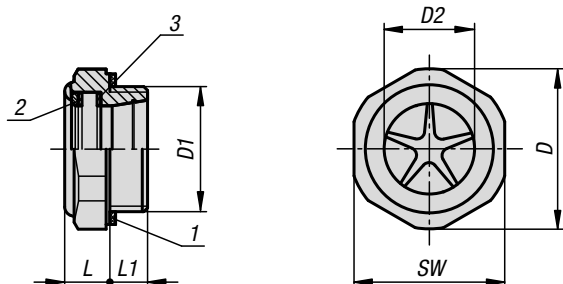
1) flat seal

### KIPP Oil level sight glasses, aluminium

Order No.	D	D1	D2	L	L1	SW	Tightening torque max. Nm	Pressure load max. bar
K0448.20014	20	G1/4	11	8	8	17	4	10
K0448.24038	24,1	G3/8	12,7	9,5	9	22	10	10
K0448.29012	29,7	G1/2	15	10	9	27	15	10
K0448.36034	35,2	G3/4	21,9	10	11	32	22	10
K0448.42100	44,1	G1	25,1	11	11	40	-	10
K0448.52114	55	G1 1/4	34	13,5	12	50	-	10
K0448.241815	24,5	M18X1,5	13	10	9	22	12	10
K0448.292215	29,5	M22X1,5	16	10	9	27	15	10

## Oil level sight glasses

aluminium, glass window



**Material:**

Housing, reflector in aluminium.  
Natural, clear glass viewing lens.  
Internal seal, Viton®.

**Version:**

Viewing lens, temperature-resistant to 150 °C.  
Flat seal, asbestos-free.

**Sample order:**

K0246.29012

**Note:**

Resists high pressure and heat. Natural glass as the viewing lens ensures optimal light transmission and high surface hardness.

**Drawing reference:**

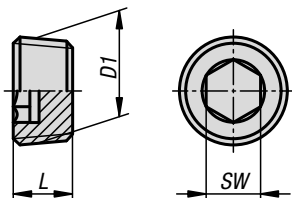
- 1) flat seal
- 2) external seal
- 3) internal seal

### KIPP Oil level sight glasses, aluminium, glass window

Order No.	D	D1	D2	L	L1	SW	Tightening torque max. Nm	Pressure load max. bar
K0246.29012	29,5	G1/2	12	10	9	27	18	20
K0246.34034	34,5	G3/4	16	12	10	32	24	20
K0246.42100	42,5	G1	23	12	10	40	-	20
K0246.292015	29,5	M20X1,5	12	10	9	27	18	20
K0246.423315	42,5	M33X1,5	23	12	10	40	-	20

## Screw plugs with hexagon socket

DIN 906, tapered thread

**Material:**

Steel or stainless steel 1.4571.

**Version:**

Steel electro zinc-plated.

Stainless steel bright.

**Sample order:**

K1129.100810

**Note:**

Screw plugs with hexagon socket and tapered threads are suitable for plugging holes with parallel threads.

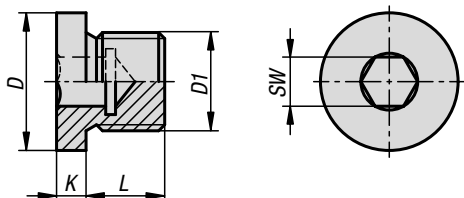
## KIPP Screw plugs with hexagon socket with tapered thread DIN 906

Order No. steel	Order No. stainless steel	D1	L	SW
K1129.100810	K1129.200810	M8x1	8	4
K1129.101010	K1129.201010	M10x1	8	5
K1129.101215	K1129.201215	M12x1,5	10	6
K1129.101415	K1129.201415	M14x1,5	10	7
K1129.101615	K1129.201615	M16x1,5	10	8
K1129.101015	K1129.201815	M18x1,5	10	8
K1129.102015	K1129.202015	M20x1,5	10	10
K1129.102215	K1129.202215	M22x1,5	10	10
K1129.102415	K1129.202415	M24x1,5	12	12
K1129.102615	-	M26x1,5	12	12
K1129.103015	-	M30x1,5	12	17
K1129.103615	-	M36x1,5	15	19
K1129.104215	-	M42x1,5	18	22
K1129.104815	-	M48x1,5	20	24
K1129.10018	K1129.2001815	R1/8	8	5
K1129.10014	K1129.2001415	R1/4	10	7
K1129.10038	K1129.2003815	R3/8	10	8
K1129.10012	K1129.2001215	R1/2	10	10
K1129.10034	K1129.2003415	R3/4	12	12
K1129.10100	K1129.2010015	R1	12	17
K1129.10114	-	R1 1/4	18	22
K1129.10112	-	R1 1/2	20	24



## Screw plugs with collar and hexagon socket

DIN 908



**Material:**

Steel.

**Version:**

Electro zinc-plated.

**Sample order:**

K1130.100810

**Note:**

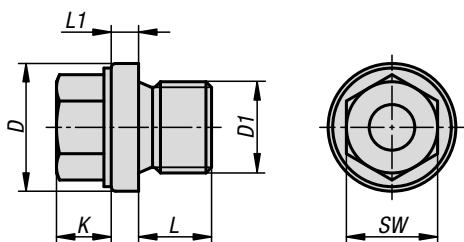
Screw plugs with collar and hexagon socket for plugging holes with parallel threads.

### KIPP Screw plugs with collar and hexagon socket DIN 908

Order No.	D	D1	K	L	SW
K1130.100810	12	M8x1	3	8	4
K1130.101010	14	M10x1	3	8	5
K1130.101215	17	M12x1,5	3	12	6
K1130.101415	19	M14x1,5	3	12	6
K1130.101615	21	M16x1,5	3	12	8
K1130.101815	23	M18x1,5	4	12	8
K1130.102015	25	M20x1,5	4	14	10
K1130.102215	27	M22x1,5	4	14	10
K1130.102415	29	M24x1,5	4	14	12
K1130.102615	31	M26x1,5	4	16	12
K1130.102720	32	M27x2	4	16	12
K1130.103015	36	M30x1,5	4	16	17
K1130.103320	39	M33x2	5	16	17
K1130.103615	42	M36x1,5	5	16	19
K1130.104215	49	M42x1,5	5	16	22
K1130.104220	49	M42x2	5	16	22
K1130.104815	55	M48x1,5	5	16	24
K1130.104820	55	M48x2	5	16	24
K1130.10018	14	G1/8	3	8	5
K1130.10014	18	G1/4	3	12	6
K1130.10038	22	G3/8	3	12	8
K1130.10012	26	G1/2	4	14	10
K1130.10034	32	G3/4	4	16	12
K1130.10100	39	G1	5	16	17
K1130.10114	49	G1 1/4	5	16	22
K1130.10112	55	G1 1/2	5	16	24

## Screw plugs hex head with collar

DIN 910



**Material:**  
Steel.

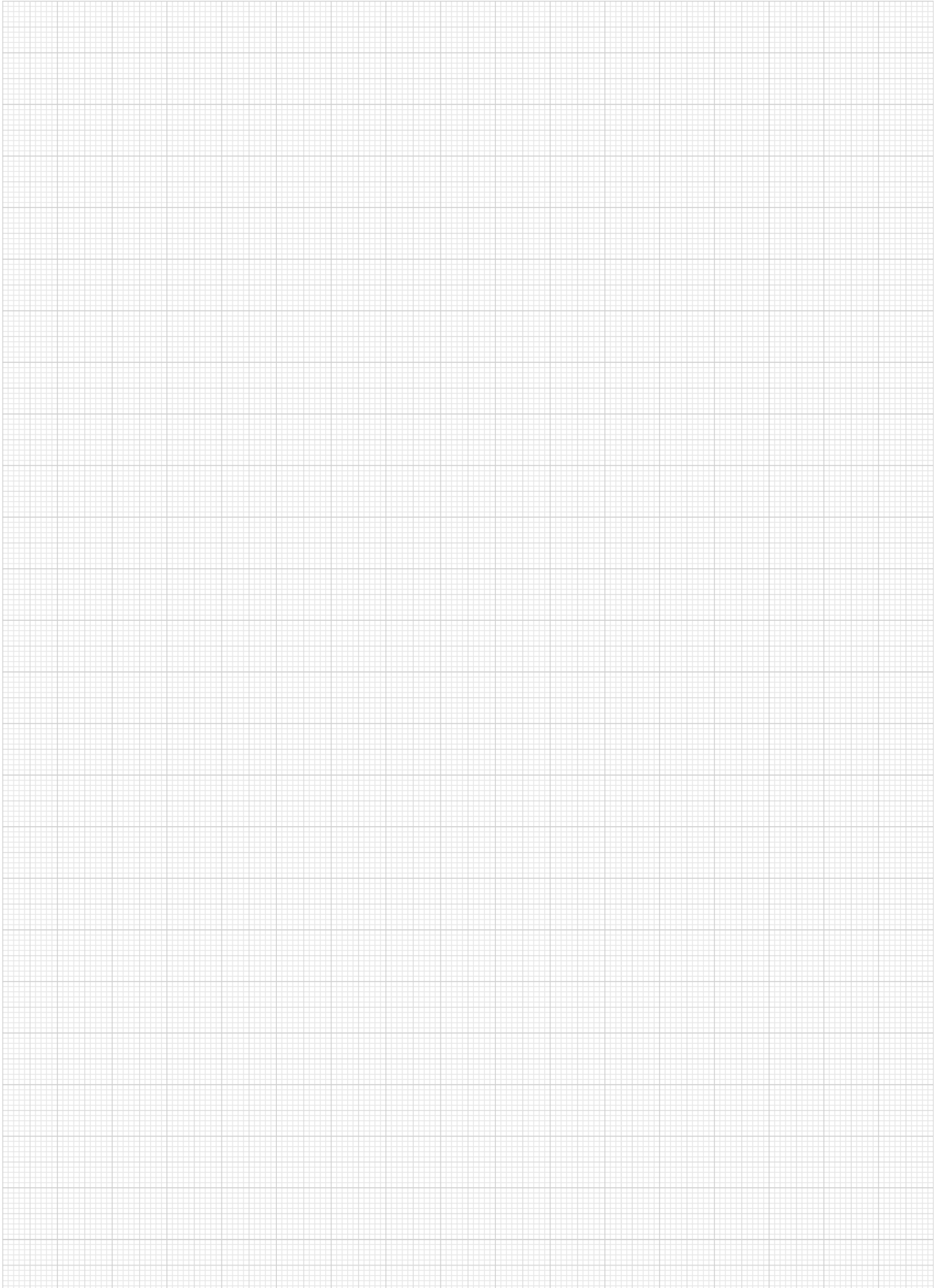
**Version:**  
Electro zinc-plated.

**Sample order:**  
K1131.101010

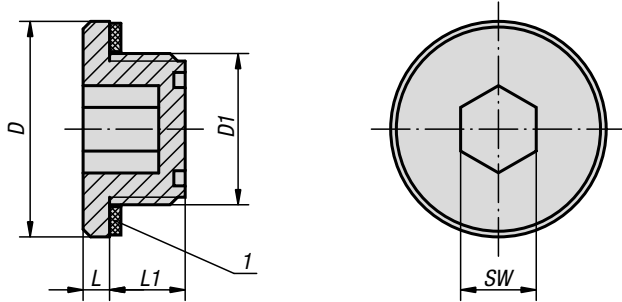
**Note:**  
Screw plugs with collar and hexagonal head for plugging holes with parallel threads.

### KIPP Hexagon head screw plugs with collar DIN 910

Order No.	D	D1	K	L	L1	SW
K1131.101010	14	M10X1	6	8	3	10
K1131.101215	17	M12X1,5	6	12	3	13
K1131.101415	19	M14X1,5	6	12	3	13
K1131.101615	21	M16X1,5	6	12	3	17
K1131.101815	23	M18X1,5	8	12	4	17
K1131.102015	25	M20X1,5	8	14	4	19
K1131.102215	27	M22X1,5	8	14	4	19
K1131.102415	29	M24X1,5	9	14	4	22
K1131.102615	31	M26X1,5	10	16	4	24
K1131.102720	32	M27X2	10	16	4	24
K1131.103015	36	M30X1,5	10	16	4	24
K1131.103320	39	M33X2	11	16	5	27
K1131.103615	42	M36X1,5	11	16	5	27
K1131.104215	49	M42X1,5	12	16	5	30
K1131.104220	49	M42X2	12	16	5	30
K1131.104815	55	M48X1,5	12	16	5	30
K1131.104820	55	M48X2	12	16	5	30
K1131.10018	14	G1/8	6	8	3	10
K1131.10014	18	G1/4	6	12	3	13
K1131.10038	22	G3/8	6	12	3	17
K1131.10012	26	G1/2	8	14	4	19
K1131.10034	32	G3/4	10	16	4	24
K1131.10100	39	G1	11	16	5	27
K1131.10114	49	G1 1/4	12	16	5	30
K1131.10112	55	G1 1/2	12	16	5	30



## Screw plugs



**Material:**

Thermoplastic polyamide 66, reinforced with 30% fibreglass.

**Version:**

Black. Flat seal asbestos-free

**Sample order:**

K0450.22038

**Temperature range:**

Temperature resistant with oil up to 100°C.

**On request:**

O-ring or materials with higher stability.

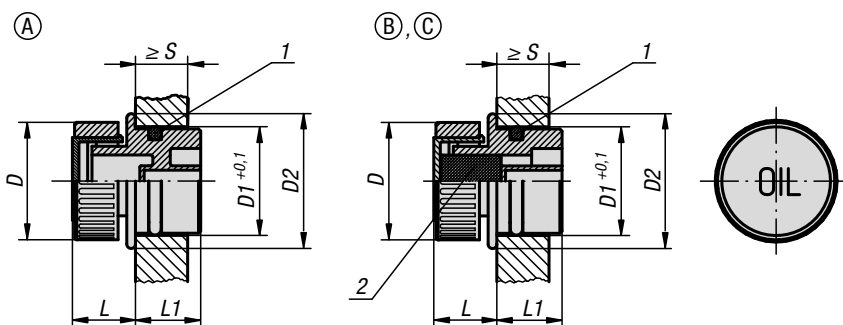
**Drawing reference:**

1) flat seal

### KIPP Screw plugs

Order No.	D	D1	L	L1	SW	Tightening torque max. Nm
K0450.18014	18,2	G1/4	2,5	8	6	3
K0450.22038	22,5	G3/8	3,5	10,5	8	6
K0450.28012	28,5	G1/2	3,5	10,5	10	8
K0450.35034	35	G3/4	4	10,5	12	10
K0450.201415	20	M14X1,5	2,5	8	6	3
K0450.221615	22,5	M16X1,5	3,5	11	8	6
K0450.261815	26	M18X1,5	3	10	10	7
K0450.282015	28,5	M20X1,5	3	11	10	7
K0450.282215	28,5	M22X1,5	3,5	10,5	10	7
K0450.352615	35	M26X1,5	3	12	12	10

## Press-in plugs



**Material:**

Housing and cap thermoplastic polyamide 66.  
Air filter polyurethane (PU foam).  
O-ring rubber (NBR).

**Version:**

Housing black.  
Cap red.  
Filter mesh 50 µm.

**Sample order:**

K0451.33030

**Temperature range:**

Temperature resistant with oil up to 100°C.

**Drawing reference:**

Form A: without vent  
Form B: with vent  
Form C: with vent and air filter

1) O-ring

2) air filter Form C only

### KIPP Press-in plugs

Order No. Form A	Order No. Form B	Order No. Form C	D	D1	D2	L	L1	S min.
K0451.13018	K0451.23018	K0451.33018	30	18	23	14	14	8
K0451.13020	K0451.23020	K0451.33020	30	20	24	14	15,5	8
K0451.13026	K0451.23026	K0451.33026	30	26	30	14	16,5	9,5
K0451.13030	K0451.23030	K0451.33030	30	30	34	14	17	9,5

## Screw plugs with magnet



**Material:**

Thermoplastic polyamide 66. Ferrite permanent magnet.

**Version:**

Black. Flat seal asbestos-free

**Sample order:**

K0452.22038

**Note:**

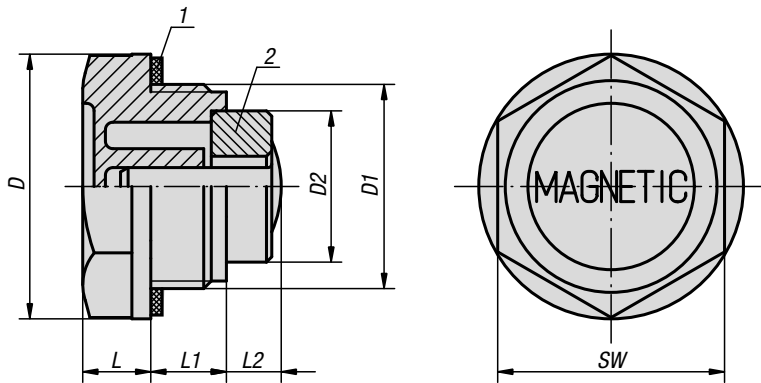
The magnetic effect of the screw plug attracts iron particles in the oil. Screwing the plug into the drain outlet diminishes possible damage to mechanical components.

**Temperature range:**

Temperature resistant with oil up to 100°C.

**Drawing reference:**

- 1) flat seal
- 2) magnet



### KIPP Screw plugs with magnet

Order No.	D	D1	D2	L	L1	L2	SW
K0452.20014	20	G1/4	8	7	9	5	17
K0452.22038	22	G3/8	13	7,5	10	10	18
K0452.27012	27	G1/2	13	8	11	9	24
K0452.34034	34	G3/4	19,6	9	11	6,5	30
K0452.42100	42	G1	19,6	10,5	12	14	35
K0452.201415	20	M14X1,5	8	7	9	5	17

## Screw plugs aluminium

with magnet



**Material:**

Aluminium. Ferrite permanent magnet.

**Version:**

Bright. Flat seal asbestos-free.

**Sample order:**

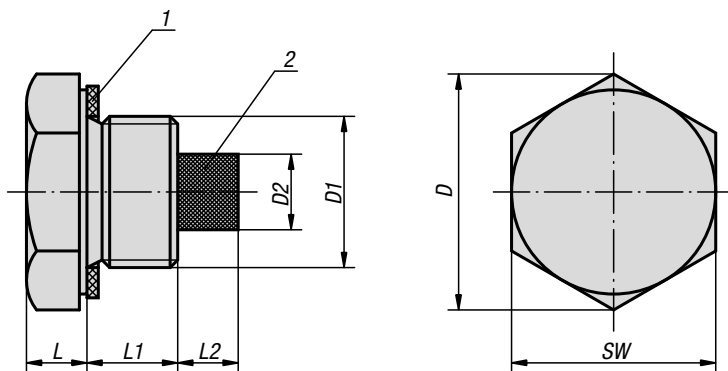
K0453.24038

**Note:**

The magnetic effect of the screw plug attracts iron particles in the oil. Screwing the plug into the drain outlet diminishes possible damage to mechanical components.

**Drawing reference:**

- 1) flat seal
- 2) magnet



### KIPP Screw plugs aluminium with magnet

Order No.	D	D1	D2	L	L1	L2	SW
K0453.21014	21	G1/4	5	7	10	6	19
K0453.24038	24,5	G3/8	8	7	10	7	22
K0453.30012	30	G1/2	10	8	10	7	27
K0453.36034	36,5	G3/4	13	8	10	7	34
K0453.42100	42,5	G1	13	8	14	7	40

## Screw plugs



**Material:**

Thermoplastic polyamide 66

**Version:**

Black. Flat seal asbestos-free

**Sample order:**

K0454.142100

**Temperature range:**

Temperature resistant with oil up to 100°C.

**Drawing reference:**

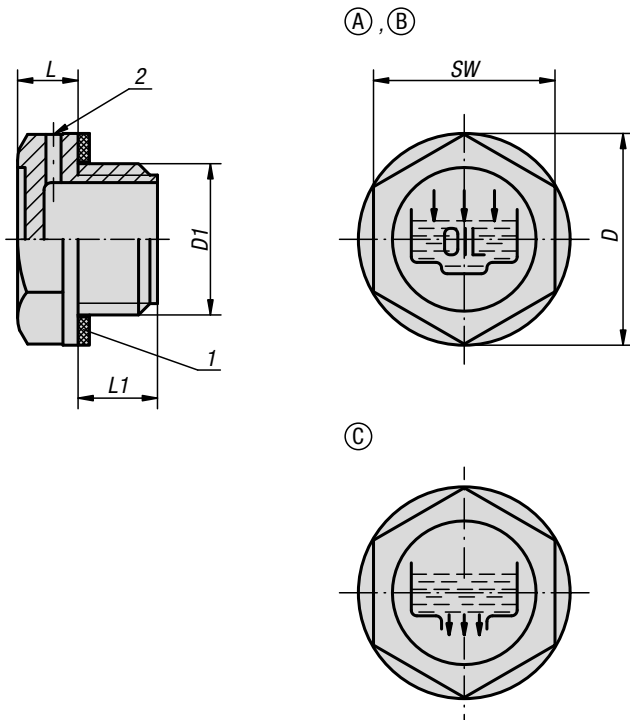
Form A: with fill symbol

Form B: with fill symbol and vent hole

Form C: with drain symbol

1) flat seal

2) vent hole Form B only

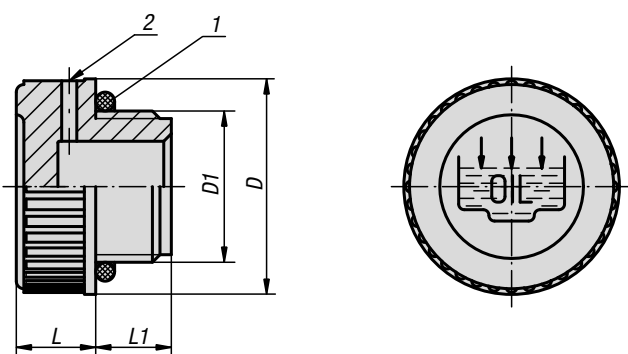


### KIPP Screw plugs

Order No. Form A	Order No. Form B	Order No. Form C	D	D1	L	L1	SW	Tightening torque max. Nm
K0454.119014	K0454.219014	K0454.319014	19,5	G1/4	7	9/9/9	17	5
K0454.122038	K0454.222038	K0454.322038	22	G3/8	7,5	10/10/10	18	8
K0454.128012	K0454.228012	K0454.328012	28	G1/2	7,5	11/11/11	24	9
K0454.134034	K0454.234034	K0454.334034	34	G3/4	9	11/11/11	30	11
K0454.142100	K0454.242100	K0454.342100	42	G1	10,5	12/12/12	35	-
K0454.151114	K0454.251114	K0454.351114	51	G1 1/4	12	13,5/13,5/13,5	42	-
K0454.158112	K0454.258112	K0454.358112	58	G1 1/2	10	14,5/14,5/14,5	50	-
K0454.174200	K0454.274200	K0454.374200	74	G2	13,5	16/16/16	64	-
K0454.1191415	K0454.2191415	K0454.3191415	19,5	M14X1,5	7	8/9/9	17	5
K0454.1211615	K0454.2211615	K0454.3211615	21	M16X1,5	7,5	10/10/10	18	6
K0454.1261815	K0454.2261815	K0454.3261815	26	M18X1,5	7,5	10/10/10	21	7
K0454.1282015	K0454.2282015	K0454.3282015	28	M20X1,5	8	10/10/10	24	8
K0454.1282215	K0454.2282215	K0454.3282215	28	M22X1,5	8	11/11/11	24	10
K0454.1524015	K0454.2524015	K0454.3524015	52	M40X1,5	10	13/13/13	42	-

## Plugs fill

knurled cap



**Material:**

Thermoplastic polyamide 66;  
O-ring in rubber (NBR)

**Version:**

Black.

**Sample order:**

K0455.128012

**Temperature range:**

Temperature resistant with oil up to 100°C.

**Drawing reference:**

Form A: with fill symbol

Form B: with fill symbol and vent hole

1) O-ring

2) vent hole only Form B

### KIPP Plugs fill, knurled cap

Order No.	Form	D	D1	L	L1
K0455.120014	A	20	G1/4	9	9
K0455.120038	A	20,5	G3/8	9	10
K0455.128012	A	28	G1/2	10,5	10,5
K0455.131034	A	31	G3/4	12	11
K0455.139100	A	39	G1	12	12
K0455.149114	A	49	G1 1/4	13	13,5
K0455.155112	A	55	G1 1/2	14,7	14,5
K0455.168200	A	68,5	G2	15	16
K0455.1201415	A	20	M14X1,5	9	9
K0455.1201615	A	20	M16X1,5	9	10
K0455.1281815	A	28	M18X1,5	10,5	10
K0455.1282015	A	28	M20X1,5	10,5	10
K0455.1282215	A	28	M22X1,5	10,5	10
K0455.220014	B	20	G1/4	9	9
K0455.220038	B	20,5	G3/8	9	10
K0455.228012	B	28	G1/2	10,5	10,5
K0455.231034	B	31	G3/4	12	11
K0455.239100	B	39	G1	12	12
K0455.249114	B	49	G1 1/4	13	13,5
K0455.255112	B	55	G1 1/2	14,7	14,5
K0455.268200	B	68,5	G2	15	16
K0455.2201415	B	20	M14X1,5	9	9
K0455.2201615	B	20	M16X1,5	9	10
K0455.2281815	B	28	M18X1,5	10,5	10
K0455.2282015	B	28	M20X1,5	10,5	10
K0455.2282215	B	28	M22X1,5	10,5	10

## Screw plugs with hexagon socket

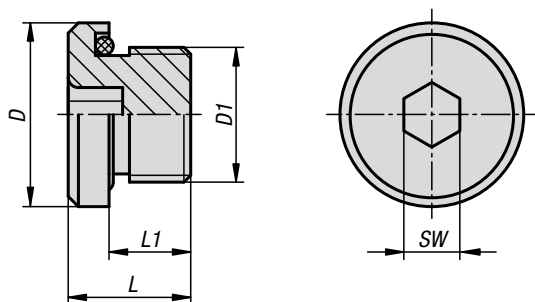


**Material:**  
Steel 1.0737.  
O-ring NBR, Shore 90.

**Version:**  
Electro zinc-plated.

**Sample order:**  
K1102.15018

**Note:**  
Operating temperature: -20°C / +100°C.  
Operating pressure: max. 70 bar for static application.

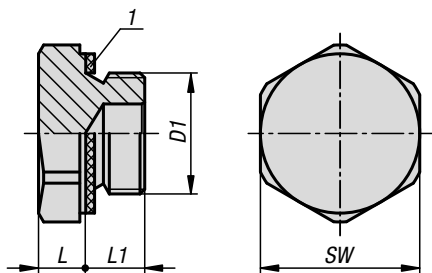


### KIPP Screw plugs with hexagon socket

Order No.	D	D1	L	L1	SW
K1102.15018	15	G1/8	13	9	4
K1102.19014	19	G1/4	16	11	6
K1102.22038	22	G3/8	17	11	6
K1102.27012	27	G1/2	20	14	8
K1102.32034	32	G3/4	20	14	12
K1102.40001	40	G1	22	16	12
K1102.50114	50	G1 1/4	25	18	12
K1102.55112	55	G1 1/2	24	17	24
K1102.141010	15	M10X1	12	8	5
K1102.171215	17	M12X1,5	16	10	6
K1102.191415	19	M14X1,5	16	10	6
K1102.221615	22	M16X1,5	16	10	6
K1102.251815	25	M18X1,5	17	11	8
K1102.272015	27	M20X1,5	18	12	8
K1102.282215	28	M22X1,5	18	12	10
K1102.322615	32	M26X1,5	20	13,5	12
K1102.322702	32	M27X2	20	13,5	12
K1102.403302	40	M33X2	21	15	17
K1102.504202	50	M42X2	24	17	22
K1102.554802	55	M48X2	24	17	24



## Screw plugs aluminium



**Material:**  
Aluminium.

**Version:**  
Bright. Flat seal asbestos-free.

**Sample order:**  
K1104.19014

**On request:**  
Cap marked OIL.

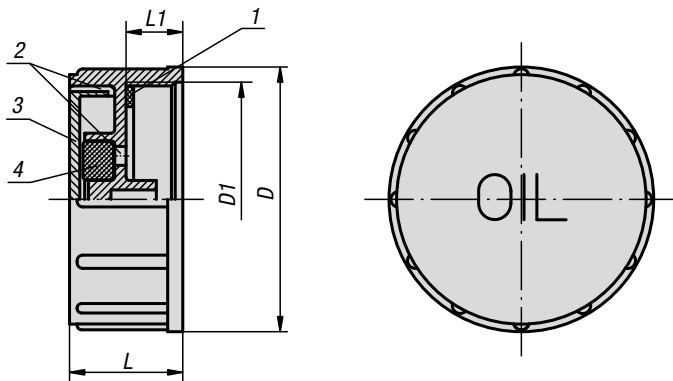
**Drawing reference:**  
1) flat seal

### KIPP Screw plugs aluminium

Order No.	D1	L	L1	SW
K1104.141010	M10X1	5	8	14
K1104.171215	M12X1,5	6	8	17
K1104.171415	M14X1,5	6	8	17
K1104.221615	M16X1,5	7	10	22
K1104.221815	M18X1,5	7	10	22
K1104.242015	M20X1,5	7	10	24
K1104.19014	G1/4	7	10	19
K1104.22038	G3/8	7	10	22
K1104.27012	G1/2	8	10	27
K1104.34034	G3/4	8	10	34
K1104.40100	G1	8	14	40



## Caps for filler necks



**Material:**

Housing and cap thermoplastic polyamide 66.  
Air filter polyurethane (PU foam).  
Flat seal NBR, Shore 70.

**Version:**

Black housing.  
Red cap.  
Filter mesh 40 µm.

**Sample order:**

K0456.67200

**Temperature range:**

Temperature resistant with oil up to 100°C.

**On request:**

Cap in yellow for diesel oil.

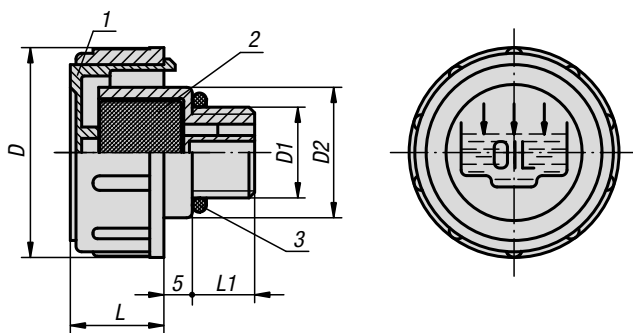
**Drawing reference:**

- 1) flat seal
- 2) vent
- 3) cap
- 4) air filter

### KIPP Caps for filler necks

Order No.	D	D1	L	L1
K0456.67200	67,5	G2	30	15
K0456.676020	67,5	M60x2	30	15

## Vent screws



**Material:**

Housing, cap in thermoplastic polyamide 66.  
Air filter (Form B only) in polyurethane (PU foam).  
O-ring in rubber (NBR).

**Version:**

Black housing. Red cap. Filter mesh 60 µm.

**Sample order:**

K0457.147034

**Note:**

The removable cap allows easy cleaning of the air filter.

Form A: without air filter

Form B: with air filter

**Temperature range:**

Temperature resistant with oil up to 100°C.

**Drawing reference:**

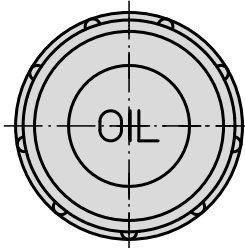
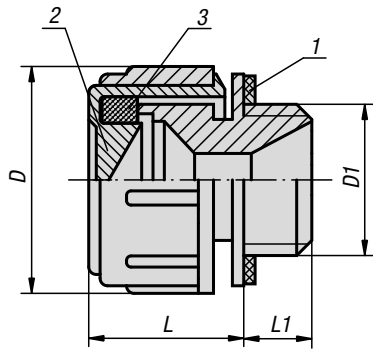
- 1) cap
- 2) air filter Form B only
- 3) O-ring

### KIPP Vent screws

Order No. Form A	Order No. Form B	D	D1	D2	L	L1
K0457.136038	K0457.236038	36	G3/8	23	17	11
K0457.141012	K0457.241012	41	G1/2	28	18	12
K0457.147034	K0457.247034	47	G3/4	33	17	12
K0457.152100	K0457.252100	52	G1	38	20	12
K0457.163114	K0457.263114	63	G1 1/4	49	23	13
K0457.163112	K0457.263112	63	G1 1/2	55	23	13,5
K0457.1361615	K0457.2361615	36	M16x1,5	23	17	11
K0457.1411815	K0457.2411815	41	M18x1,5	28	17,5	12
K0457.1412015	K0457.2412015	41	M20x1,5	28	17,5	12
K0457.1412215	K0457.2412215	41	M22x1,5	28	17,5	12

## Vent screws

with splash guard



**Material:**

Housing and cap thermoplastic polyamide 66.  
Air filter polyurethane (PU foam).  
Flat seal NBR, Shore 70.

**Version:**

Black housing.  
Red cap.  
Filter mesh 40 µm.

**Sample order:**

K0458.30038

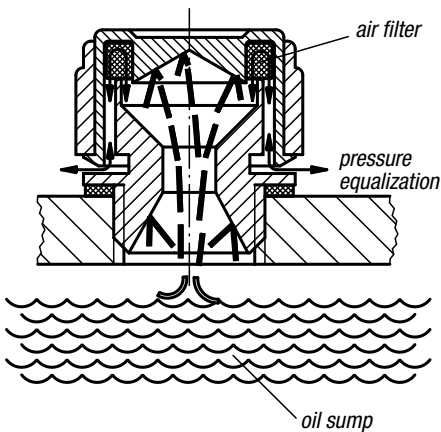
**Temperature range:**

Temperature resistant with oil up to 100°C.

**Drawing reference:**

- 1) flat seal
- 2) cap
- 3) air filter

**splash guard**



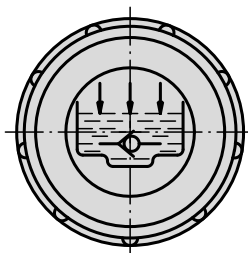
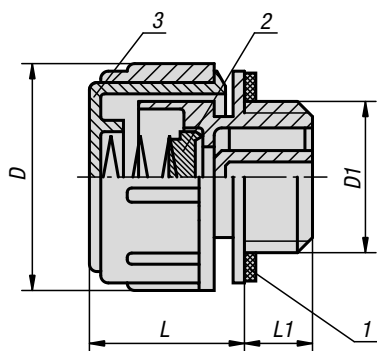
Gears partly immersed in an oil sump create an oil spray that may cause oil to leak from the vent cap. To avoid this the screw has been fitted with a splash guard. Only a small part of the oil spray can pass through the lower tapered bore. The oil that does reach the cap underside is redirected in such a way that it does not notably hinder the venting process.

**KIPP Vent screws with splash guard**

Order No.	D	D1	L	L1
K0458.30014	30	G1/4	21	10
K0458.30038	30	G3/8	21	10
K0458.30012	30	G1/2	21	10

## Vent screws

with check valve



**Material:**

Housing and cap thermoplastic polyamide 66.  
Spring stainless steel.  
Lift disc and flat seal rubber (NBR).

**Version:**

Housing black.  
Cap red.

**Sample order:**

K0459.30014

**Note:**

Opening pressure 0.20 – 0.25 bar.

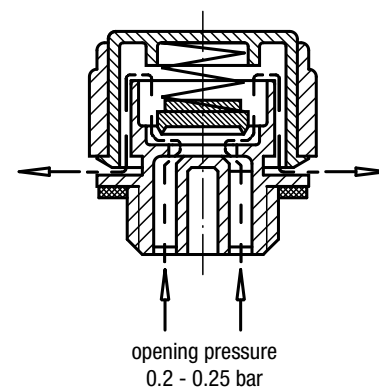
**Temperature range:**

Temperature resistant with oil up to 100°C.

**Drawing reference:**

- 1) flat seal
- 2) lift disc
- 3) cap

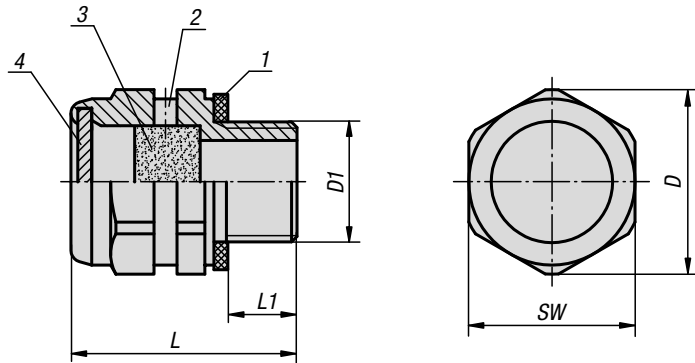
**Operating principle**



**KIPP Vent screws with check valve**

Order No.	D	D1	L	L1
K0459.30014	30	G1/4	21	10
K0459.30038	30	G3/8	21	10
K0459.30012	30	G1/2	21	10

## Vent screws brass



**Material:**

Housing and cap brass.  
Air filter electro zinc-plated steel wire mesh.

**Version:**

Air filter mesh 50 - 60 µm.  
Flat seal asbestos-free.

**Sample order:**

K0460.20014

**Drawing reference:**

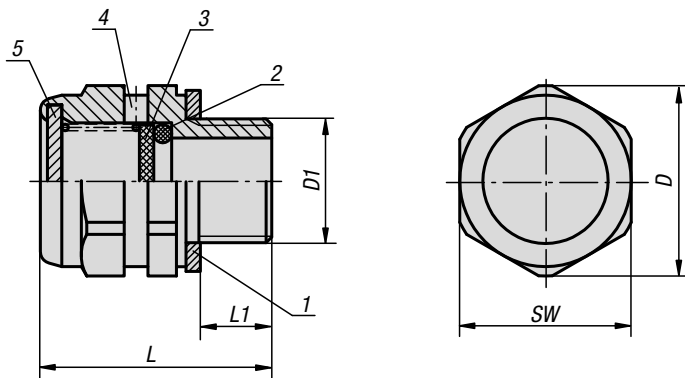
- 1) flat seal
- 2) vent hole 2x
- 3) air filter
- 4) cap

### KIPP Vent screws brass

Order No.	D	D1	L	L1	SW
K0460.20014	20	G1/4	24,5	7,5	18
K0460.24038	24,5	G3/8	24,5	8,5	22
K0460.30012	30	G1/2	24,5	8,5	27

## Vent screws brass

with check valve



**Material:**

Housing and cap brass.  
Spring stainless steel.  
Lift disc brass.  
O-ring NBR.

**Version:**

Flat seal asbestos-free.

**Sample order:**

K0461.20014

**Note:**

Opening pressure 0.35 bar (±0,05).

**Functional principle:**

See K0459 vent screws with check valve.

### KIPP Vent screws brass with check valve

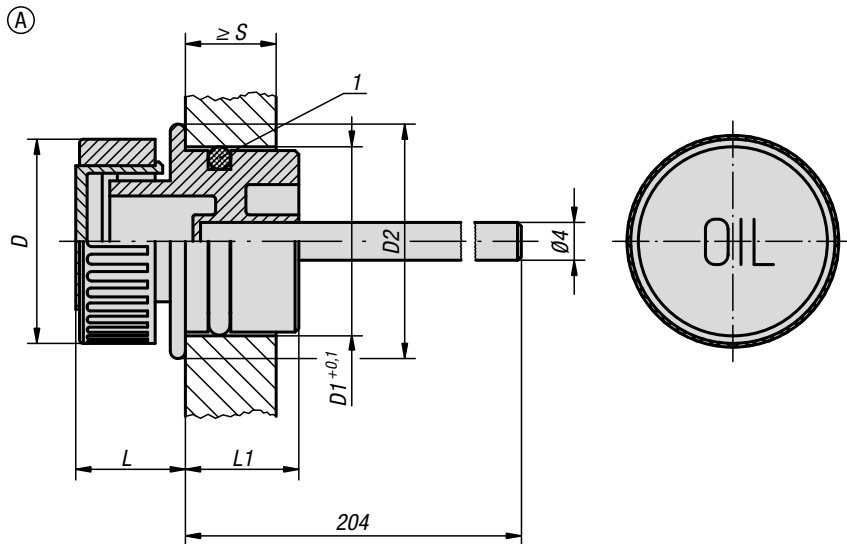
Order No.	D	D1	L	L1	SW
K0461.20014	20	G1/4	24,3	7,5	18
K0461.24038	24,5	G3/8	24,5	8,5	22
K0461.30012	30	G1/2	24,5	8,5	27

**Drawing reference:**

- 1) flat seal
- 2) O-ring
- 3) lift disc
- 4) vent hole 2x
- 5) cap

## Press-in plugs

with dipstick



**Material:**

Housing and cap thermoplastic polyamide 66.  
Air filter polyurethane (PU foam).  
Dipstick zinc.  
O-ring NBR, Shore 70.

**Version:**

Housing black.  
Cap red.  
Filter mesh 50 µm.  
Dipstick phosphated.

**Sample order:**

K0462.13018

**Temperature range:**

Temperature resistant with oil up to 100°C.

**On request:**

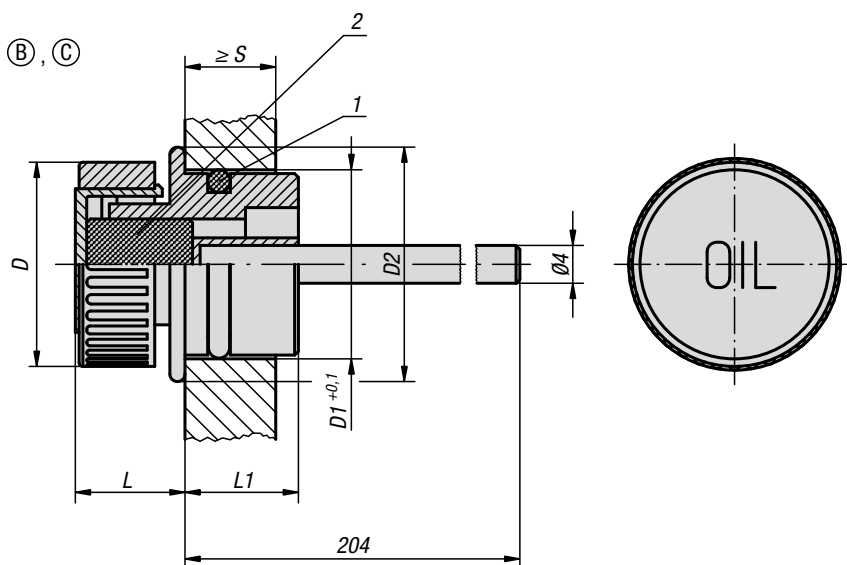
Min-Max markings.

**Drawing reference:**

Form A: without vent  
Form B: with vent  
Form C: with vent and air filter

1) O-ring

2) air filter Form C only

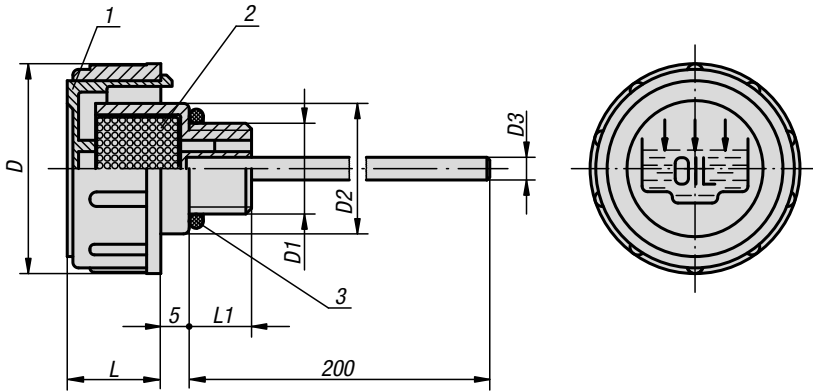


**KIPP Press-in plugs with dipstick**

Order No. Form A	Order No. Form B	Order No. Form C	D	D1	D2	L	L1	S min.
K0462.13018	K0462.23018	K0462.33018	30	18	23	14	14	8

## Vent screws

with dipstick



**Material:**

Housing and cap thermoplastic polyamide 66.  
Air filter polyurethane (PU foam).  
Dipstick zinc.  
O-ring NBR, Shore 70.

**Version:**

Housing black.  
Cap red.  
Filter mesh 50 µm.  
Dipstick phosphated.

**Sample order:**

K0465.141012

**Note:**

The removable cap allows easy cleaning of the air filter.

Form A: without air filter

Form B: with air filter

**Temperature range:**

Temperature resistant with oil up to 100°C.

**On request:**

Min-Max markings.

**Drawing reference:**

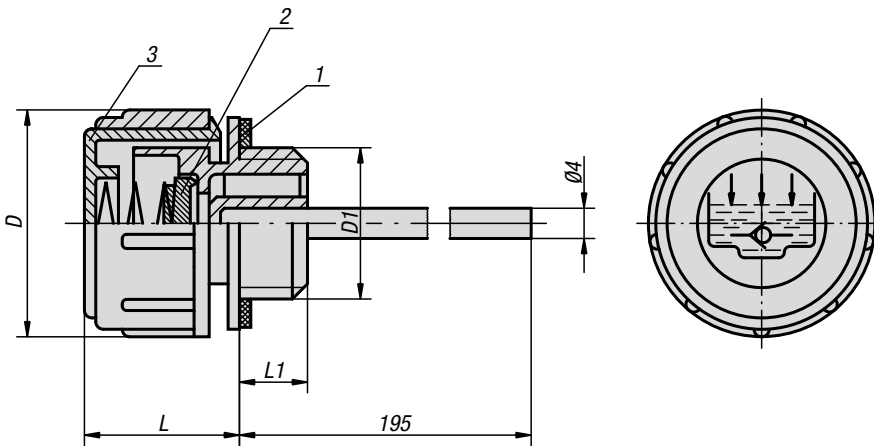
- 1) cap
- 2) air filter Form B only
- 3) O-ring

### KIPP Vent screws with dipstick

Order No.	Form	D	D1	D2	D3	L	L1
K0465.136038	A	36	G3/8	23	4	17	11
K0465.141012	A	41	G1/2	28	4	18	12
K0465.147034	A	47	G3/4	33	5	17	12
K0465.152100	A	52	G1	38	5	20	12
K0465.163114	A	63	G1 1/4	49	5	23	13
K0465.163112	A	63	G1 1/2	55	5	23	13,5
K0465.1361615	A	36	M16x1,5	23	4	17	11
K0465.1411815	A	41	M18x1,5	28	4	17,5	12
K0465.1412015	A	41	M20x1,5	28	4	17,5	12
K0465.1412215	A	41	M22x1,5	28	4	17,5	12
K0465.236038	B	36	G3/8	23	4	17	11
K0465.241012	B	41	G1/2	28	4	18	12
K0465.247034	B	47	G3/4	33	5	17	12
K0465.252100	B	52	G1	38	5	20	12
K0465.263114	B	63	G1 1/4	49	5	23	13
K0465.263112	B	63	G1 1/2	55	5	23	13,5
K0465.2361615	B	36	M16x1,5	23	4	17	11
K0465.2411815	B	41	M18x1,5	28	4	17,5	12
K0465.2412015	B	41	M20x1,5	28	4	17,5	12
K0465.2412215	B	41	M22x1,5	28	4	17,5	12

## Vent screws

with check valve and dipstick



**Material:**

Housing and cap thermoplastic polyamide.  
Spring stainless steel.  
Dipstick zinc.  
Lift disc and seal rubber (NBR).

**Version:**

Housing black.  
Cap red.  
Dipstick phosphated.

**Sample order:**

K0467.30038

**Note:**

Opening pressure 0.20 – 0.25 bar.

**Temperature range:**

Temperature resistant with oil up to 100°C.

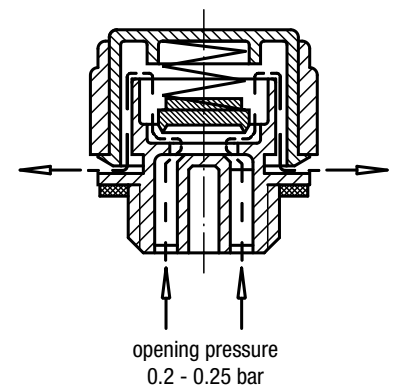
**On request:**

Min-Max markings.

**Drawing reference:**

- 1) flat seal
- 2) lift disc
- 3) cap

**Operating principle**



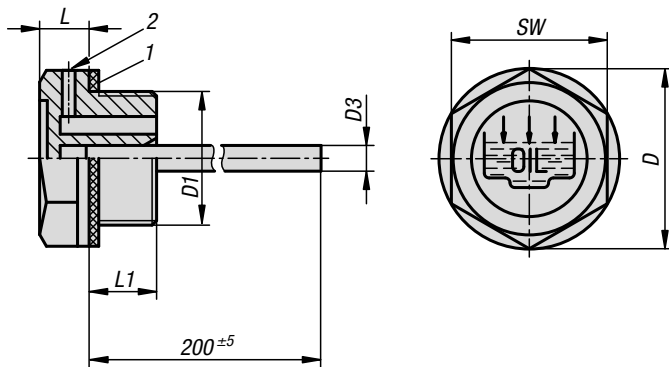
**KIPP Vent screws with check valve and dipstick**

Order No.	D	D1	L	L1
K0467.30038	30	G3/8	21	10
K0467.30012	30	G1/2	21	10



## Screw plugs

with dipstick



**Material:**

Thermoplast, polyamide 66.  
Dipstick steel, zinc phosphated.

**Version:**

Flat seal asbestos-free.

**Sample order:**

K1101.122038

**Note:**

Form B has a vent hole on the side of the hexagon head with a diameter of between 2 and 3.5 mm, depending on the size of the screw plug.

**Temperature range:**

Temperature resistant with oil up to 100°C.

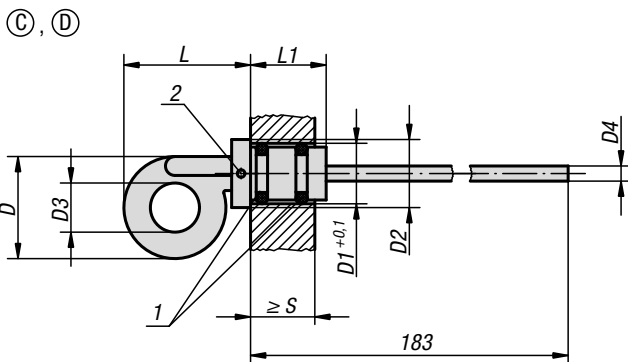
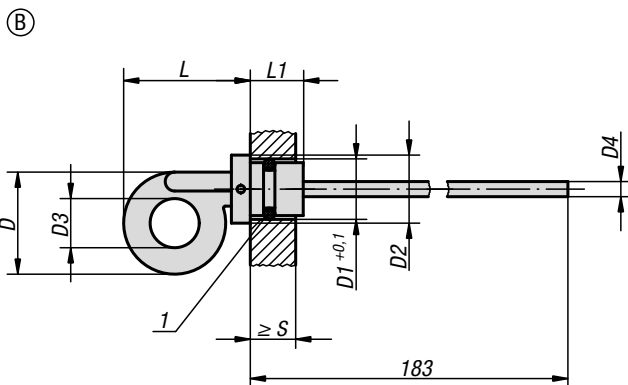
**Drawing reference:**

- 1) flat seal
- 2) vent hole Form B only

### KIPP Screw plugs with dipstick

Order No.	Form	D	D1	D3	L	L1	SW
K1101.119014	A	19	G1/4	4	7	9	17
K1101.122038	A	22	G3/8	4	7,5	10	18
K1101.128012	A	28	G1/2	4	7,5	11	24
K1101.134034	A	34	G3/4	5	9	11	30
K1101.142100	A	42	G1	5	10,5	12	36
K1101.151114	A	51	G1 1/4	5	12	13,5	42
K1101.1191415	A	19	M14X1,5	4	7	9	17
K1101.1211615	A	21	M16X1,5	4	7,5	10	18
K1101.1261815	A	26	M18X1,5	4	7,5	10	21
K1101.1282015	A	28	M20X1,5	4	8	10	24
K1101.1282215	A	28	M22X1,5	4	8	11	24
K1101.219014	B	19	G1/4	4	7	9	17
K1101.222038	B	22	G3/8	4	7,5	10	18
K1101.228012	B	28	G1/2	4	7,5	11	24
K1101.234034	B	34	G3/4	5	9	11	30
K1101.242100	B	42	G1	5	10,5	12	36
K1101.251114	B	51	G1 1/4	5	12	13,5	42
K1101.2191415	B	19	M14X1,5	4	7	9	17
K1101.2211615	B	21	M16X1,5	4	7,5	10	18
K1101.2261815	B	26	M18X1,5	4	7,5	10	21
K1101.2282015	B	28	M20X1,5	4	8	10	24

## Dipsticks



**Material:**

Grip thermoplastic polyamide.  
Dipstick steel.  
O-ring NBR, Shore 70.

**Version:**

Black handle.  
Dipstick, phosphated.

**Sample order:**

K0468.23218

**Temperature range:**

Temperature resistant with oil up to 100°C.

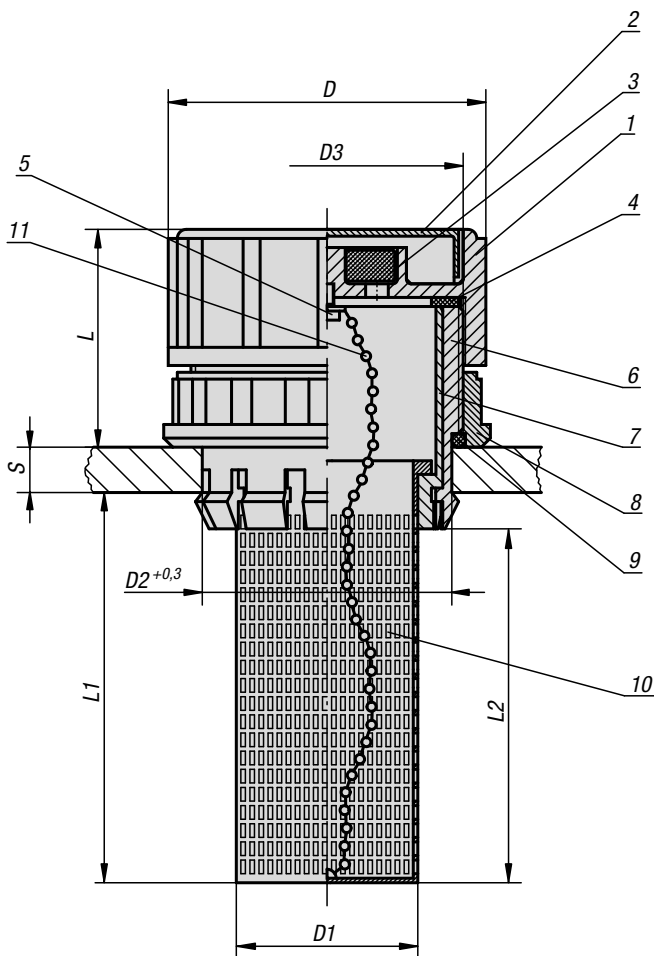
**Drawing reference:**

Form B: with vent hole  
Form C: without vent hole  
Form D: with vent hole

1) O-ring  
2) Form D only

### KIPP Dipsticks

Order No.	Form	D	D1	D2	D3	D4 Ø	L	L1	S min.
K0468.22714	B	27	14	18	13	4	34	13	10
K0468.23218	B	32	18	24	14	5	45	17	9
K0468.23220	B	32	20	24	14	5	44,5	18	10
K0468.32714	C	27	14	18	13	4	34	20	17
K0468.33012	C	27	12	18	14	4	36	20	16
K0468.33318	C	33	18	24	14	5	44	21	17,5
K0468.33520	C	35	20	24	16	5	46	21	17,5
K0468.42714	D	27	14	18	13	4	34	20	17
K0468.43318	D	33	18	24	14	5	44	21	17,5



**Material, version:**

1. Housing black thermoplastic polyamide 66.
2. Sealing cap red thermoplastic polyamide 66.
3. Air filter polyurethane (PU foam), filter grade 40 µm.
4. Flat seal NBR
5. Fastening screw nickel-plated steel.
6. Press-in unit black thermoplastic polyamide 66.
7. Stop sleeve black thermoplastic polyamide 66.
8. Fastening nut black polyamide 66.
9. O-ring NBR, Shore 70.
10. Filler sieve black thermoplastic polypropylene.
11. Chain nickel-plated brass.

**Sample order:**

K0470.706020

**Note:**

Temperature resistant up to 80 °C.

**KIPP Filler necks**

Order No.	D	D1	D2	D3	L	L1	L2	S
K0470.706020	70	38	55	M60X2	46,5	88	80	2 - 8

## Filler necks



**Material, version:**

- 1. Sealing cap red Polyamide 66 thermoplastic.
- 2. Filler sieve black Polypropylene thermoplastic.
- 3 Flange electro zinc-plated steel.
- 4. Fastening screws electro zinc-plated steel.
- 5 Flange seal cork.
- 6. Chain brass.

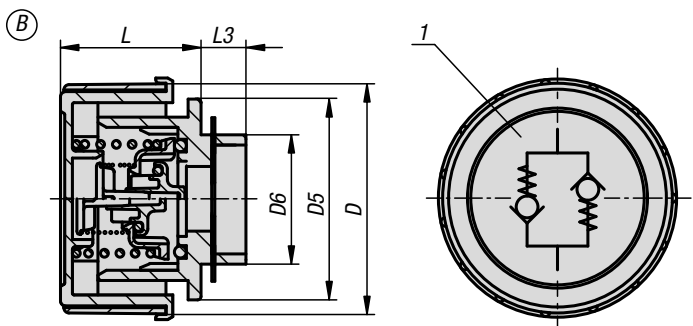
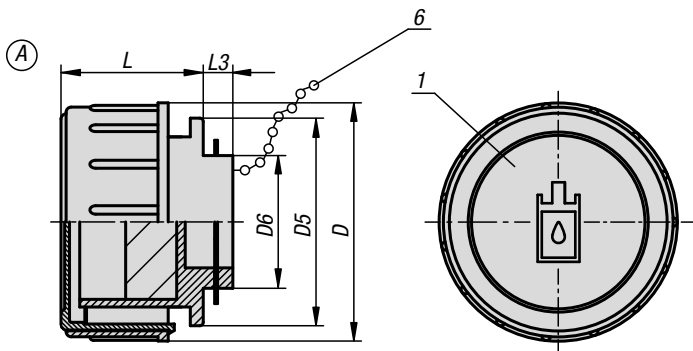
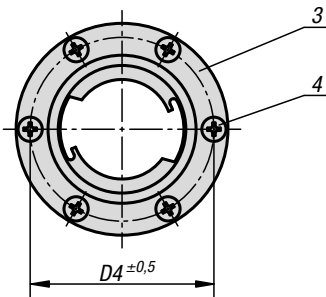
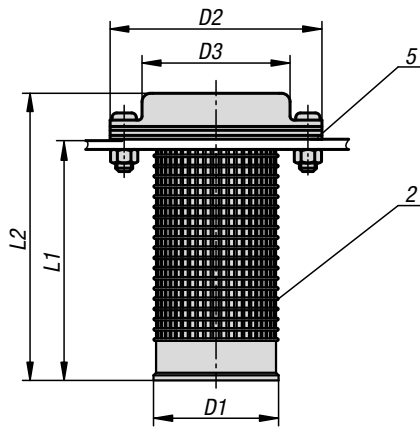
**Sample order:**

K1103.170

**Note:**

Form A: the max. pressure while venting is 50 mbar (0.73 psi) with a max. air volume of 500 l/min. The air filter prevents dirt entering.

Form B: contains a plastic vent and aeration valve. The opening pressure while venting is 0.35 bar ( $\pm 0.05$  bar). The opening pressure while aerating is 0.05 bar. This form is suitable for applications where the airflow needs to be controlled in both directions.



**KIPP Filler necks**

Order No.	Form	Version 2	D	D1	D2	D3	D4	D5	D6	L	L1	L2	L3
K1103.170	A	with filter	70	46	83	58	72	60	37	41	94	115	14
K1103.270	B	vent valve	70	46	83	58	72	60	37	41	94	115	14



**Material, version:**

1. Filler housing chrome steel
2. Air filter polyurethane (PU foam), filter mesh 40 µm.  
Flow rate up to 720 l/min
3. Flat seal cork
4. Mounting flange with fastening screws, bayonet fitting
5. Flat seal cork
6. Chain nickel-plated brass
7. Filler sieve electro zinc-plated steel

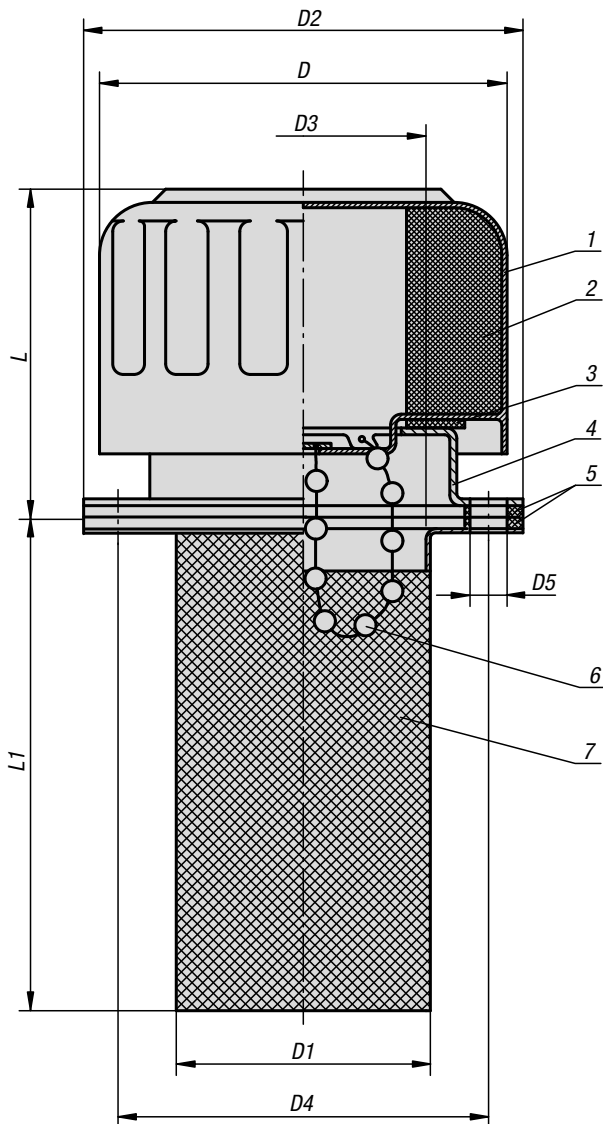
**Sample order:**

K0471.45

**Note:**

The filler necks are supplied with seals and M5 fastening screws.

Not suitable for water tanks.

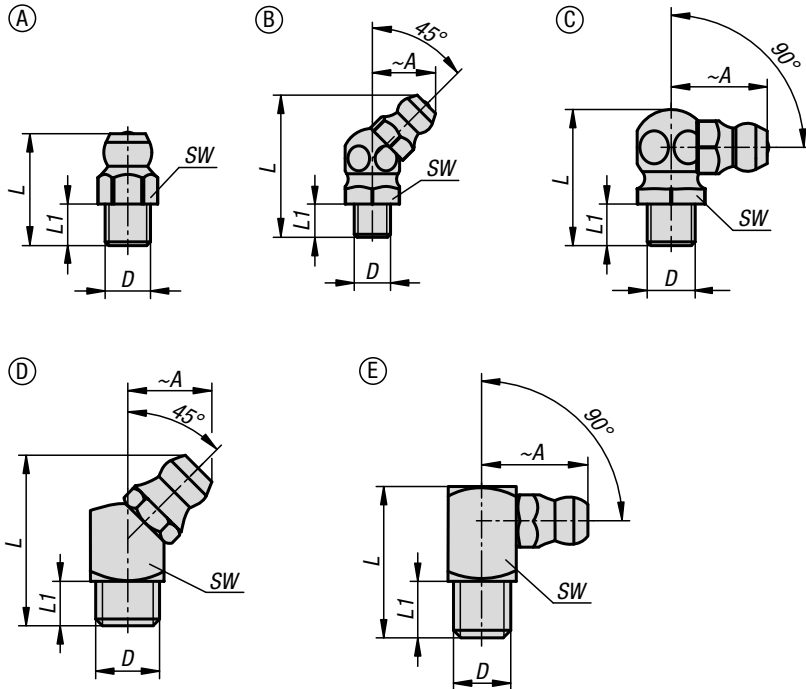


**KIPP Filler necks**

Order No.	Version 1	D	D1	D2	D3	D4	D5	L	L1
K0471.45	without chain	46,5	27,5	52	25	41,3	6 (3x)	43	66
K0471.77	with chain	80	49	83	44	71,5	6 (6x)	57	80

## Grease nipples

conical head DIN 71412



**Material:**

Steel or 1.4305 stainless steel

**Version:**

Steel hardened, min. 550 HV 1, electro zinc-plated.  
Stainless steel bright.

**Sample order:**

K1132.1106100

**Note:**

The conical head grease nipples have a tapered thread. They are suitable for grease points which must be lubricated often and reliably. Their versatility makes them the most widespread type of grease nipple.

### KIPP Form A, straight

Order No. steel	Order No. stainless steel	Form	D	L max.	L1	SW
K1132.1106100	K1132.2106100	A	M6x1	15	5,5	7
K1132.1108100	K1132.2108100	A	M8x1	15	5,5	9
K1132.1108125	K1132.2108125	A	M8x1,25	15	5,5	9
K1132.1110100	K1132.2110100	A	M10x1	15	5,5	11
K1132.1110150	K1132.2110150	A	M10x1,5	15	5,5	11
K1132.1118	K1132.2118	A	R1/8	15	5,5	11
K1132.1114	K1132.2114	A	R1/4	17,5	6,5	14

### KIPP Form B, 45°, hexagonal

Order No. steel	Order No. stainless steel	Form	A	D	L max.	L1	SW
K1132.1206100	K1132.2206100	B	10,5	M6x1	23,5	5,5	9
K1132.1208100	K1132.2208100	B	10,5	M8x1	23,5	5,5	9
K1132.1208125	K1132.2208125	B	10,5	M8x1,25	23,5	5,5	9
K1132.1210100	K1132.2210100	B	11,5	M10x1	25	5,5	11
K1132.1210150	K1132.2210150	B	11,5	M10x1,5	25	5,5	11
K1132.1218	K1132.2218	B	11,5	R1/8	25	5,5	11
K1132.1214	K1132.2214	B	12	R1/4	22,5	6,5	14

## Grease nipples

conical head DIN 71412



## KIPP Form C, 90°, hexagonal

Order No. steel	Order No. stainless steel	Form	A	D	L max.	L1	SW
K1132.1306100	K1132.2306100	C	13	M6x1	18	5,5	9
K1132.1308100	K1132.2308100	C	13	M8x1	18	5,5	9
K1132.1308125	K1132.2308125	C	13	M8x1,25	18	5,5	9
K1132.1310100	K1132.2310100	C	14	M10x1	20	5,5	11
K1132.1310150	K1132.2310150	C	14	M10x1,5	20	5,5	11
K1132.1318	K1132.2318	C	14	R1/8	20	5,5	11
K1132.1314	K1132.2314	C	14	R1/4	22	6,5	14

## KIPP Form D, 45°, square

Order No.	Form	Main material	A	D	L max.	L1	SW
K1132.1406100	D	steel	10,5	M6x1	21	5,5	9
K1132.1408100	D	steel	10,5	M8x1	21	5,5	9
K1132.1408125	D	steel	10,5	M8x1,25	21	5,5	9
K1132.1410100	D	steel	11	M10x1	21	5,5	11
K1132.1418	D	steel	11	R1/8	21	5,5	11

## KIPP Form E, 90°, square

Order No.	Form	Main material	A	D	L max.	L1	SW
K1132.1506100	E	steel	14	M6x1	18	5,5	9
K1132.1508100	E	steel	14	M8x1	18	5,5	9
K1132.1508125	E	steel	14	M8x1,25	18	5,5	9
K1132.1510100	E	steel	15	M10x1	18	5,5	11
K1132.1518	E	steel	15	R1/8	18	5,5	11

## Grease nipple, steel, assortment box



**Material:**  
Steel.

**Version:**  
Electro zinc-plated.

**Sample order:**  
K1539.140

**Note:**  
Grease nipples in an organised assortment box in different forms and thread sizes.

DIN 71412 grease nipples, conical head, Form A (straight):  
25 x M6x1  
25 x M8x1  
15 x M10x1  
15 x G1/8"

DIN 71412 grease nipples, conical head, Form B (45°):  
10 x M6x1  
10 x M8x1  
5 x M10x1  
5 x G1/8"

DIN 71412 grease nipples, conical head, Form B (90°):  
10 x M6x1  
10 x M8x1  
5 x M10x1  
5 x G1/8"

### KIPP Grease nipple assortment box, steel

Order No.	Content
K1539.140	140 pieces



## Grease nipple caps

for conical head grease nipples



**Material:**

Polyethylene (PE-LLD).

**Version:**

red, green, yellow or black.

**Sample order:**

K1133.911

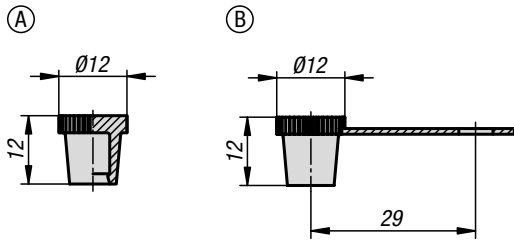
**Note:**

Suitable for all DIN 71412 conical head grease nipples. They keep dirt out of the head of the nipple. The different colours are for e.g. identifying the lubrication intervals.

Application temperature: -70°C to +85°C.

Form A: without tab

Form B: with tab

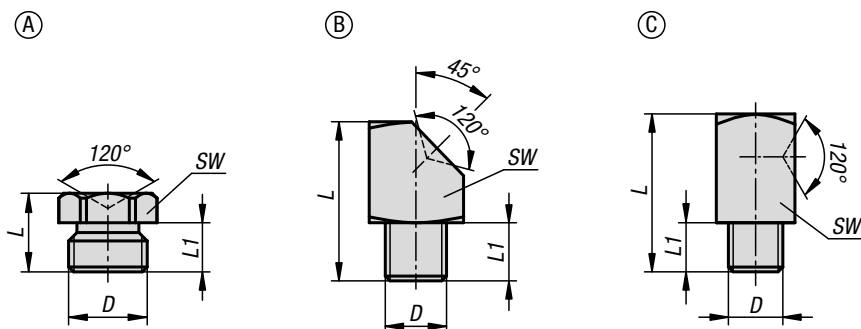


### KIPP Grease nipple caps for conical grease nipples

Order No.	Form	Colour
K1133.911	A	red
K1133.912	A	green
K1133.913	A	yellow
K1133.914	A	black
K1133.921	B	red
K1133.922	B	green
K1133.923	B	yellow
K1133.924	B	black

## Grease nipples

flush type DIN 3405



**Material:**  
Steel or 1.4305 stainless steel

**Version:**  
Steel electro zinc-plated.  
Stainless steel bright.

**Sample order:**  
K1134.1106100

**Note:**  
Flush type grease nipples are particularly suitable for flush or recessed installation.  
By using flush type nipples, the required lubrication can also be carried out on points with poor accessibility.

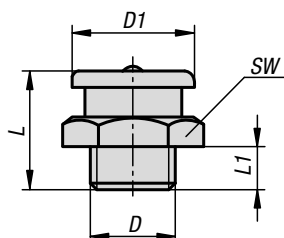
**Drawing reference:**  
Form A: straight  
Form B: 45°  
Form C: 90°

### KIPP Grease nipples flush type DIN 3405

Order No.	Form	Main material	Type	D	L	L1	SW
K1134.1106100	A	steel	hexagon	M6x1	9	6	7
K1134.1108100	A	steel	hexagon	M8x1	9,5	6,5	9
K1134.1108125	A	steel	hexagon	M8x1,25	9,5	6,5	9
K1134.1110100	A	steel	hexagon	M10x1	9,5	6,5	11
K1134.1118	A	steel	hexagon	R1/8	9,5	6,5	11
K1134.2106100	A	stainless steel	hexagon	M6x1	9	6	7
K1134.2108100	A	stainless steel	hexagon	M8x1	9,5	6,5	9
K1134.2108125	A	stainless steel	hexagon	M8x1,25	9,5	6,5	9
K1134.2110100	A	stainless steel	hexagon	M10x1	9,5	6,5	11
K1134.2118	A	stainless steel	hexagon	G1/8	9,5	6,5	11
K1134.1206100	B	steel	square	M6x1	15	5,5	9
K1134.1208100	B	steel	square	M8x1	15	5,5	9
K1134.1208125	B	steel	square	M8x1,25	15	5,5	9
K1134.1210100	B	steel	square	M10x1	15	5,5	11
K1134.1218	B	steel	square	R1/8	15	5,5	11
K1134.1306100	C	steel	square	M6x1	18	5,5	9
K1134.1308100	C	steel	square	M8x1	18	5,5	9
K1134.1308125	C	steel	square	M8x1,25	18	5,5	9
K1134.1310100	C	steel	square	M10x1	18	5,5	11
K1134.1318	C	steel	square	R1/8	18	5,5	11

## Grease nipples

button head DIN 3404



**Material:**

Steel or 1.4305 stainless steel

**Version:**

Steel electro zinc-plated.  
Stainless steel bright.

**Sample order:**

K1135.11006100

**Note:**

As the construction of button head grease nipples allow for a high lubrication flow rate, they are especially useful for lubrication points which require a large grease volume. Because of the robust design, button head grease nipples are preferred for machines that are subjected to high external stress.

### KIPP Grease nipples button head DIN 3404

Order No.	Main material	D	D1	L	L1	SW
K1135.11006100	steel	M6x1	10	13,5	5,5	11
K1135.11008100	steel	M8x1	10	13,5	5,5	11
K1135.11010100	steel	M10x1	10	13,5	5,5	11
K1135.11018	steel	G1/8	10	13,5	5,5	11
K1135.11606100	steel	M6x1	16	17	6	17
K1135.11608100	steel	M8x1	16	17	6	17
K1135.11608125	steel	M8x1,25	16	17	6	17
K1135.11610100	steel	M10x1	16	17	6	17
K1135.11610150	steel	M10x1,5	16	17	6	17
K1135.11612150	steel	M12x1,5	16	17	6	17
K1135.11616150	steel	M16x1,5	16	18	7	17
K1135.11618	steel	G1/8	16	17	6	17
K1135.11614	steel	G1/4	16	17	6	17
K1135.21606100	stainless steel	M6x1	16	17	6	17
K1135.21608100	stainless steel	M8x1	16	17	6	17
K1135.21608125	stainless steel	M8x1,25	16	17	6	17
K1135.21610100	stainless steel	M10x1	16	17	6	17
K1135.21610150	stainless steel	M10x1,5	16	17	6	17
K1135.21612150	stainless steel	M12x1,5	16	17	6	17
K1135.21618	stainless steel	G1/8	16	17	6	17
K1135.21614	stainless steel	G1/4	16	17	6	17
K1135.12216150	steel	M16x1,5	22	21,5	8	22
K1135.12214	steel	G1/4	22	21,5	8	22
K1135.12238	steel	G3/8	22	21,5	8	22
K1135.22216150	stainless steel	M16x1,5	22	21,5	8	22
K1135.22214	stainless steel	G1/4	22	21,5	8	22
K1135.22238	stainless steel	G3/8	22	21,5	8	22