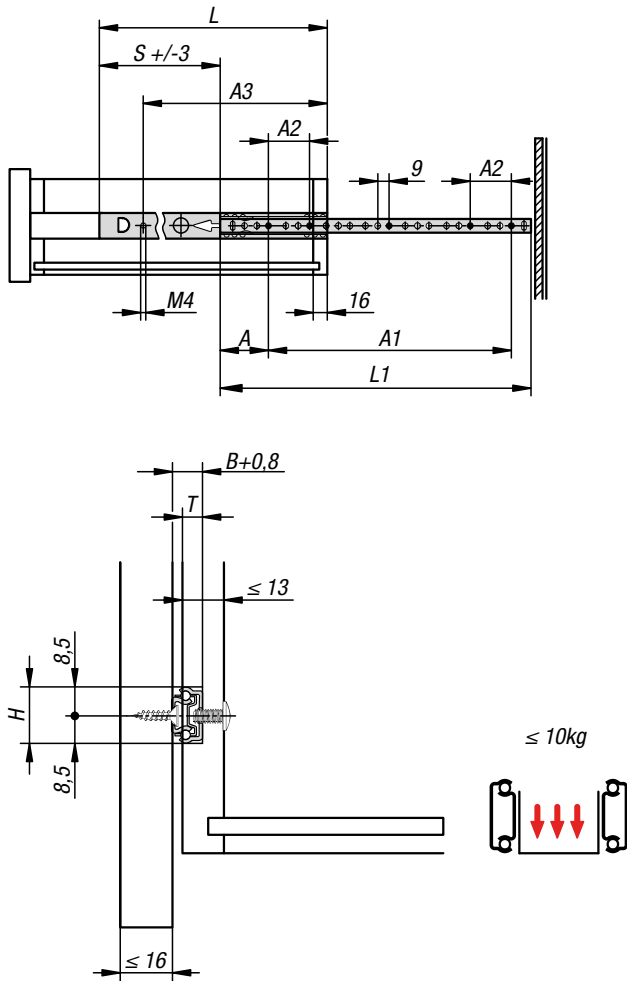


Telescopic slides



Telescopic slides, steel

for slot mounting, partial extension, load capacity up to 10 kg



Material:
Steel slides.
Plastic ball cages.
C-steel balls.

Version:
Slides electro zinc-plated.
Balls hardened.

Sample order:
K1566.0164

Note for ordering:
Supplied in pairs

Note:
On telescopic slides with partial extension, the travel is less than the installed length. These are a low-cost solution for guiding drawers or similar items with little friction and high lateral stability. Interlocking in closed position. The dynamic load capacity of the telescopic slides indicates the maximum load rating of a vertically mounted slide pair when the entire extension length is used. The specified load capacities refer to the maximum value for 20,000 cycles.

Attention:
The load capacity of all telescopic slides is tested to DIN EN 15338 Level 1.

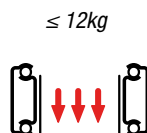
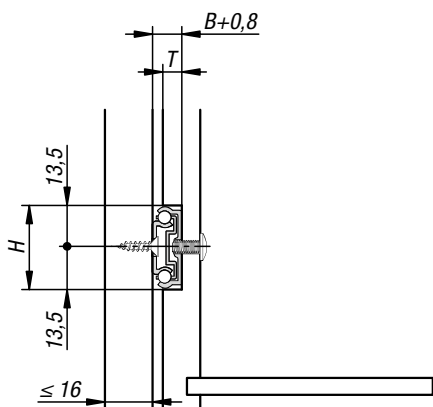
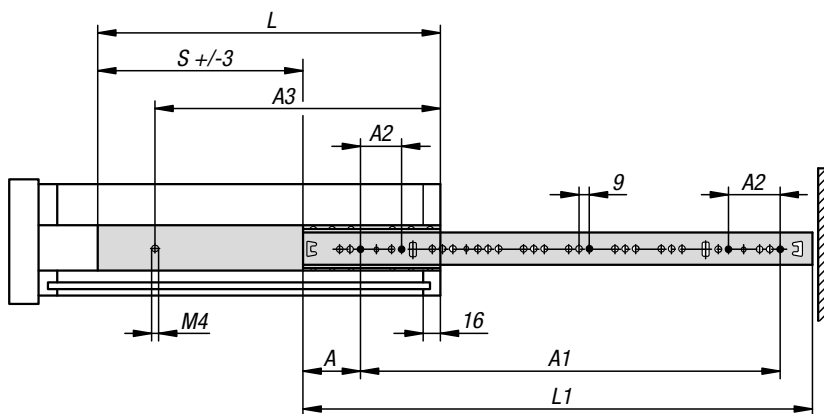


KIPP Steel telescopic slides, for slot mounting, partial extension, load capacity up to 10 kg

Order No.	A	A2	A3	B	H	L	L1	Travel S	T = slot depth	Loading per pair kg	Drawer depth from - to
K1566.0133	37	32	101	10	17	133	150	85	6-7	10	155 - 210
K1566.0164	37	32	132	10	17	164	182	104	6-7	10	185 - 260
K1566.0185	37	32	153	10	17	185	182	125	6-7	10	185 - 305
K1566.0210	37	32	178	10	17	210	214	138	6-7	10	220 - 340
K1566.0217	37	32	185	10	17	217	214	145	6-7	10	220 - 355
K1566.0241	37	32	209	10	17	241	246	157	6-7	10	250 - 390
K1566.0249	37	32	217	10	17	249	246	165	6-7	10	250 - 410
K1566.0430	37	32	398	10	17	430	278	328	6-7	10	430
K1566.0450	37	32	418	10	17	450	278	348	6-7	10	450
K1566.0480	37	32	448	10	17	480	310	366	6-7	10	480
K1566.0500	37	32	468	10	17	500	310	368	6-7	10	500
K1566.0550	37	32	518	10	17	550	342	424	6-7	10	550

Telescopic slides, steel

for slot mounting, partial extension, load capacity up to 12 kg



Material:

Steel slides.
Plastic ball cages.
C-steel balls.

Version:

Slides electro zinc-plated.
Balls hardened.

Sample order:

K1567.0328

Note for ordering:

Supplied in pairs

Note:

On slot-mounted telescopic slides with partial extension, the travel is shorter than the installed length. These are a low-cost solution for guiding drawers or similar items with little friction and high lateral stability. Interlocking in closed position. The dynamic load capacity of the telescopic slides indicates the maximum load rating of a vertically mounted slide pair when the entire extension length is used. The specified load capacities refer to the maximum value for 20,000 cycles.

Attention:

The load capacity of all telescopic slides is tested to DIN EN 15338 Level 1.

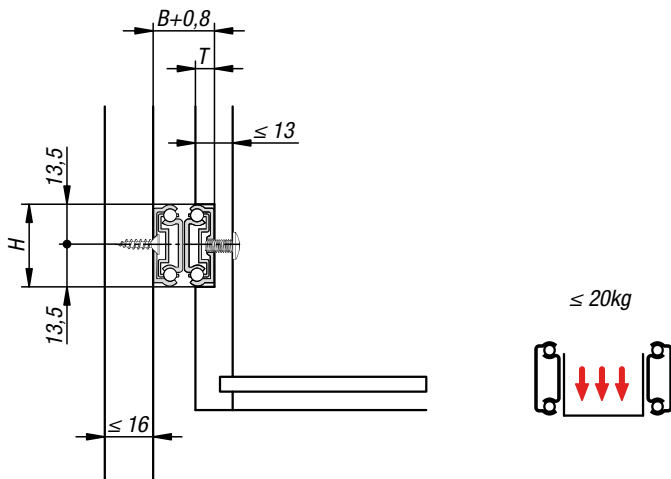
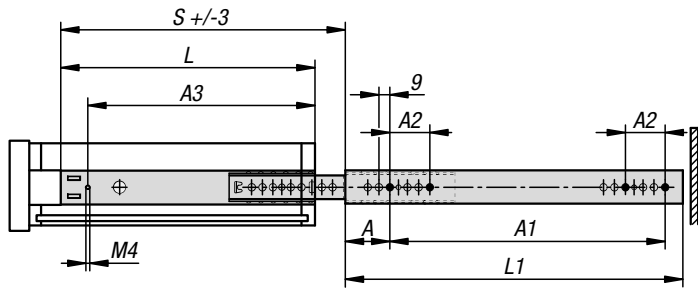


KIPP Steel telescopic slides, for slot mounting, partial extension, load capacity up to 12 kg

Order No.	A	A1	A2	A3	B	H	L	L1	Travel S	T = slot depth	Loading per pair kg	Drawer depth from - to
K1567.0222	37	160	32	190	10	27	222	214	150	6-7	12	230 - 350
K1567.0328	37	288	32	296	10	27	328	342	232	6-7	12	350 - 550

Telescopic slides, steel

for slot mounting, over-extension, load capacity up to 20 kg



Material:

Slides steel.
Ball cages steel and plastic.
Balls C-steel.

Version:

Slides electro zinc-plated.
Balls hardened.

Sample order:

K1568.0310

Note for ordering:

Supplied in pairs

Note:

On slot-mounted telescopic slides with partial extension, the travel is shorter than the installed length. These are a low-cost solution for guiding drawers or similar items with little friction and high lateral stability. The dynamic load capacity of the telescopic slides indicates the maximum load rating of a vertically mounted slide pair when the entire extension length is used. The specified load capacities refer to the maximum value for 20,000 cycles.

Attention:

The load capacity of all telescopic slides is tested to DIN EN 15338 Level 1.

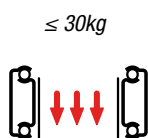
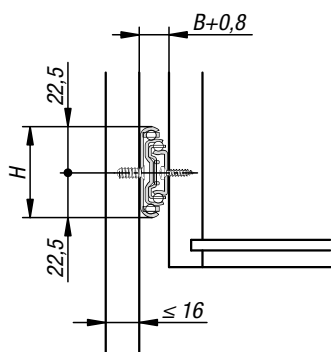
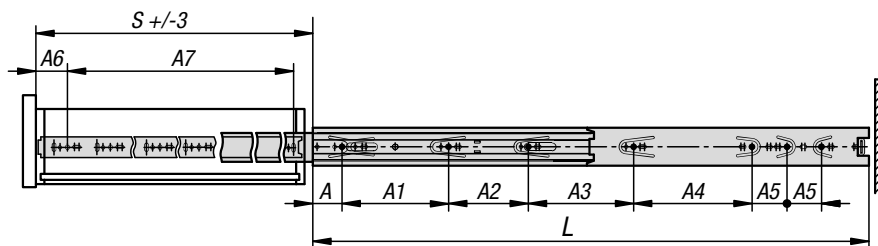


KIPP Steel telescopic slides for slot mounting, over-extension, load capacity up to 20 kg

Order No.	A	A1	A2	A3	B	H	L	L1	Travel S	T = slot depth	Loading per pair kg	Drawer depth from - to
K1568.0197	36	192	32	165	19,4	27	197	246	274	6-7	20	200 - 310
K1568.0303	36	256	32	271	19,4	27	303	310	334	6-7	20	310 - 450
K1568.0328	36	256	32	296	19,4	27	328	310	365	6-7	20	450 - 550

Telescopic slides, steel

for side mounting, full extension, load capacity up to 30 kg



Material:

Slides steel.
Ball cages steel and plastic.
Balls C-steel.

Version:

Slides electro zinc-plated and trivalent blue passivated.
Balls hardened.

Sample order:

K1569.0300

Note for ordering:

Supplied in pairs

Note:

On telescopic slides with full extension, the travel is equal to the installed length, which ensures greater comfort and accessibility. Interlocking in closed position. When the release lever is actuated, the drawer can be taken out easily and separated from the guide.

The dynamic load capacity of the telescopic slides indicates the maximum load rating of a vertically mounted slide pair when the entire extension length is used. The specified load capacities refer to the maximum value for 20,000 cycles.

Attention:

The load capacity of all telescopic slides is tested to DIN EN 15338 Level 1.

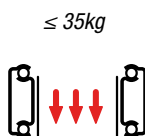
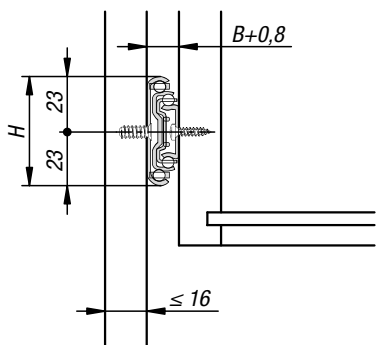
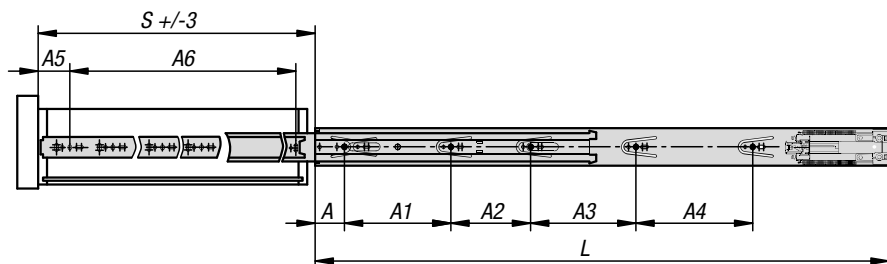


KIPP Steel telescopic slides for side mounting, full extension, load capacity up to 30 kg

Order No.	A	A1	A2	A3	A4	A5	A6	A7	B	H	L	Travel S	Loading per pair kg
K1569.0250	35	128	-	-	-	-	35	192	12,7	45	250	250	30
K1569.0300	35	128	96	-	-	-	35	242	12,7	45	300	300	30
K1569.0350	35	128	96	-	-	-	35	292	12,7	45	350	350	30
K1569.0400	35	128	96	96	-	-	35	342	12,7	45	400	400	30
K1569.0450	35	128	96	128	-	-	35	392	12,7	45	450	450	30
K1569.0500	35	128	96	128	64	-	35	442	12,7	45	500	500	30
K1569.0550	35	128	96	128	64	32	35	492	12,7	45	550	550	30

Telescopic slides, steel

for side mounting, full extension, load capacity up to 35 kg



Material:

Slides steel.
Ball cages steel and plastic.
Balls C-steel.

Version:

Slides electro zinc-plated and trivalent blue passivated.
Balls hardened.

Sample order:

K1571.0350

Note for ordering:

Supplied in pairs

Note:

On telescopic slides with full extension, the travel is equal to the installed length, which ensures greater comfort and accessibility. Interlocking in closed position. When the release lever is actuated, the drawer can be taken out easily and separated from the guide. When closing, the movement of the telescopic slides is damped by the soft closing feature and they move automatically into the end position.

The dynamic load capacity of the telescopic slides indicates the maximum load rating of a vertically mounted slide pair when the entire extension length is used. The load capacities specified refer to the maximum value for 50,000 cycles.

Attention:

The load capacity of all telescopic slides is tested to DIN EN 15338 Level 2.

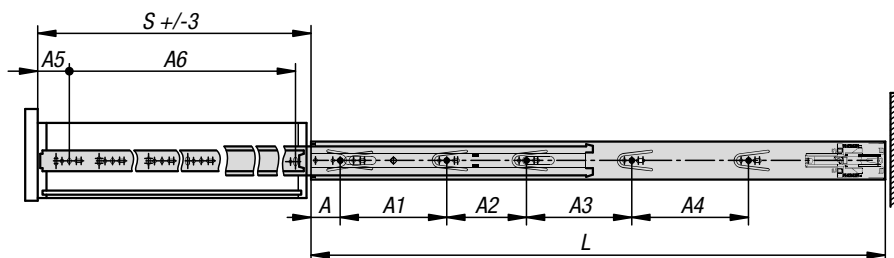


KIPP Steel telescopic slides for side mounting, full extension, load capacity up to 35 kg

Order No.	A	A1	A2	A3	A4	A5	A6	B	H	L	Travel S	Loading per pair kg
K1571.0300	35	128	-	-	-	35	171	12,7	46	300	300	35
K1571.0350	35	128	64	-	-	35	220	12,7	46	350	350	35
K1571.0400	35	128	64	-	-	35	254	12,7	46	400	400	35
K1571.0450	35	128	96	-	-	35	294	12,7	46	450	450	35
K1571.0500	35	128	96	64	-	35	344	12,7	46	500	500	35
K1571.0550	35	128	96	128	-	35	394	12,7	46	550	550	35
K1571.0600	35	128	96	160	-	35	444	12,7	46	600	600	35
K1571.0650	35	128	96	128	96	35	494	12,7	46	650	650	35
K1571.0700	35	128	96	128	128	35	544	12,7	46	700	700	35

Telescopic slides, steel

for side mounting, full extension, load capacity up to 35 kg



Material:

Slides steel.
Ball cages steel and plastic.
Balls C-steel.

Version:

Slides electro zinc-plated and trivalent blue passivated.
Balls hardened.

Sample order:

K1572.0350

Note for ordering:

Supplied in pairs

Note:

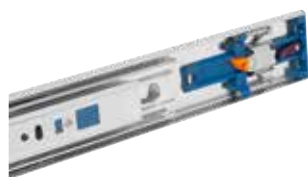
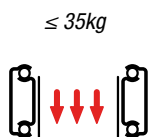
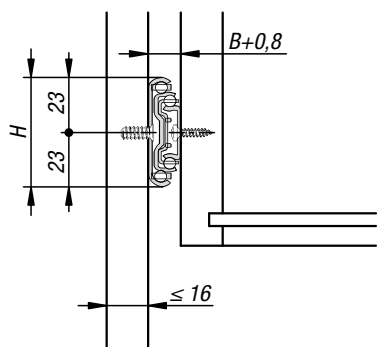
On telescopic slides with full extension, the travel is equal to the installed length, which ensures greater comfort and accessibility. Interlocking in closed position. When the release lever is actuated, the drawer can be taken out easily and separated from the guide.

When slight pressure is applied, the telescopic slides move out by themselves, almost silently.

The dynamic load capacity of the telescopic slides indicates the maximum load rating of a vertically mounted slide pair when the entire extension length is used. The load capacities specified refer to the maximum value for 50,000 cycles.

Attention:

The load capacity of all telescopic slides is tested to DIN EN 15338 Level 2.

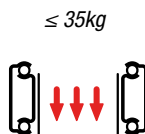
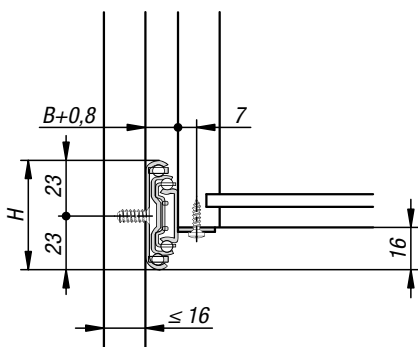
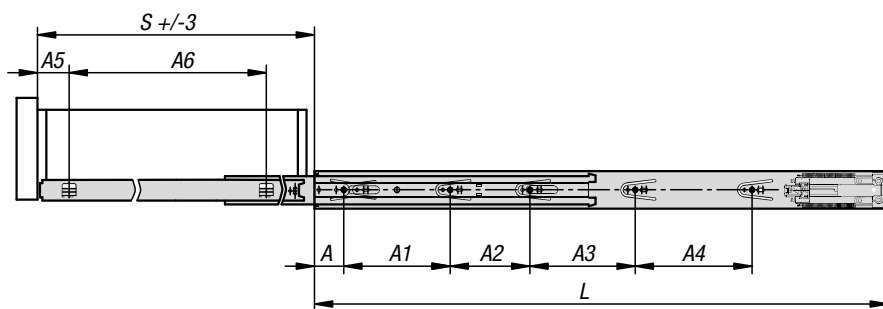


KIPP Steel telescopic slides for side mounting, full extension, load capacity up to 35 kg

Order No.	A	A1	A2	A3	A4	A5	A6	B	H	L	Travel S	Loading per pair kg
K1572.0300	35	128	-	-	-	35	192	12,7	46	300	300	35
K1572.0350	35	128	64	-	-	35	242	12,7	46	350	350	35
K1572.0400	35	128	96	-	-	35	292	12,7	46	400	400	35
K1572.0450	35	128	160	-	-	35	342	12,7	46	450	450	35
K1572.0500	35	128	96	96	-	35	392	12,7	46	500	500	35
K1572.0550	35	128	96	128	-	35	442	12,7	46	550	550	35
K1572.0600	35	128	96	128	96	35	492	12,7	46	600	600	35
K1572.0650	35	128	96	128	128	35	542	12,7	46	650	650	35
K1572.0700	35	128	96	128	192	35	592	12,7	46	700	700	35

Telescopic slides, steel

for surface mounting, full extension, load capacity up to 35 kg



Material:

Slides steel.
Ball cages steel and plastic.
Balls C-steel.

Version:

Slides electro zinc-plated and trivalent blue passivated.
Balls hardened.

Sample order:

K1573.0350

Note for ordering:

Supplied in pairs

Note:

On telescopic slides with full extension, the travel is equal to the installed length, which ensures greater comfort and accessibility. Interlocking in closed position. When the release lever is actuated, the drawer can be taken out easily and separated from the guide. When closing, the movement of the telescopic slides is damped by the soft closing feature and they move automatically into the end position.

The side screw fittings on the inner rail are replaced by support brackets.

The dynamic load capacity of the telescopic slides indicates the maximum load rating of a vertically mounted slide pair when the entire extension length is used. The load-bearing capacities specified refer to the maximum value for 50,000 cycles.

Attention:

The load capacity of all telescopic slides is tested to DIN EN 15338 Level 2.

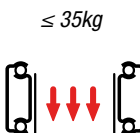
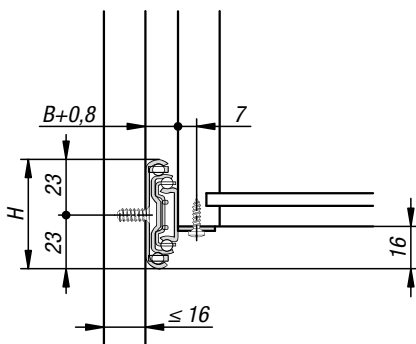
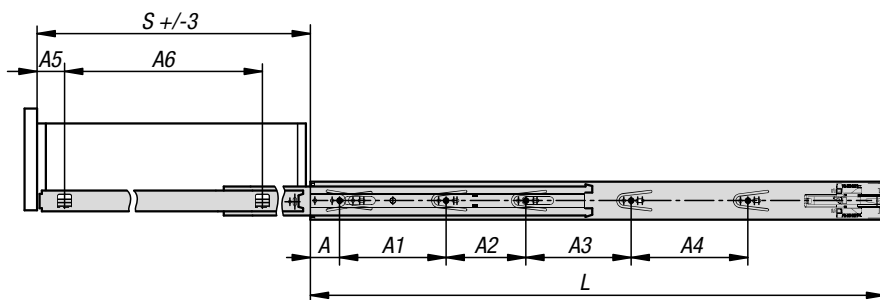


KIPP Steel telescopic slides for surface mounting, full extension, load capacity up to 35 kg

Order No.	A	A1	A2	A3	A4	A5	A6	B	H	L	Travel S	Loading per pair kg
K1573.0300	35	128	-	-	-	35	230	12,7	46	300	300	35
K1573.0350	35	128	64	-	-	35	280	12,7	46	350	350	35
K1573.0400	35	128	64	-	-	35	315	12,7	46	400	400	35
K1573.0450	35	128	96	-	-	35	365	12,7	46	450	450	35
K1573.0500	35	128	96	64	-	35	415	12,7	46	500	500	35
K1573.0550	35	128	96	128	-	35	465	12,7	46	550	550	35
K1573.0600	35	128	96	160	-	35	515	12,7	46	600	600	35
K1573.0650	35	128	96	128	96	35	565	12,7	46	650	650	35
K1573.0690	35	128	96	128	128	35	615	12,7	46	690	690	35

Telescopic slides, steel

for surface mounting, full extension, load capacity up to 35 kg



Material:

Slides steel.
Ball cages steel and plastic.
Balls C-steel.

Version:

Slides electro zinc-plated and trivalent blue passivated.
Balls hardened.

Sample order:

K1574.0350

Note for ordering:

Supplied in pairs

Note:

On telescopic slides with full extension, the travel is equal to the installed length, which ensures greater comfort and accessibility. Interlocking in closed position. When the release lever is actuated, the drawer can be taken out easily and separated from the guide.

When slight pressure is applied, the telescopic slides move out by themselves, almost silently. The side screw fittings on the inner rail are replaced by support brackets.

The dynamic load capacity of the telescopic slides indicates the maximum load rating of a vertically mounted slide pair when the entire extension length is used. The load capacities specified refer to the maximum value for 50,000 cycles.

Attention:

The load capacity of all telescopic slides is tested to DIN EN 15338 Level 2.

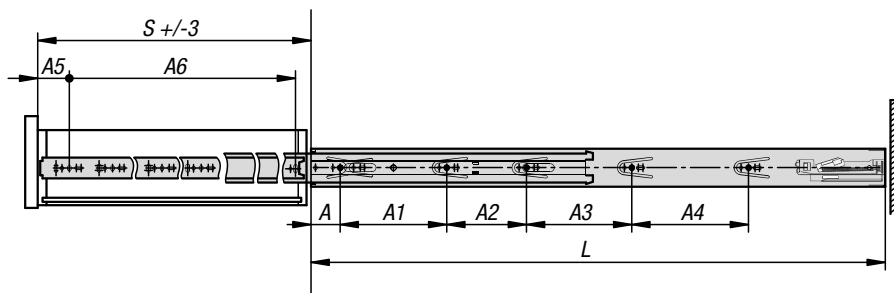


KIPP Steel telescopic slides for surface mounting, full extension, load capacity up to 35 kg

Order No.	A	A1	A2	A3	A4	A5	A6	B	H	L	Travel S	Loading per pair kg
K1574.0300	35	128	-	-	-	35	192	12,7	46	300	300	35
K1574.0350	35	128	64	-	-	35	242	12,7	46	350	350	35
K1574.0400	35	128	96	-	-	35	292	12,7	46	400	400	35
K1574.0450	35	128	160	-	-	35	342	12,7	46	450	450	35
K1574.0500	35	128	96	96	-	35	392	12,7	46	500	500	35
K1574.0550	35	128	96	128	-	35	442	12,7	46	550	550	35
K1574.0600	35	128	96	128	96	35	492	12,7	46	600	600	35
K1574.0650	35	128	96	128	128	35	542	12,7	46	650	650	35
K1574.0700	35	128	96	128	192	35	592	12,7	46	700	700	35

Telescopic slides, steel

for side mounting, full extension, load capacity up to 40 kg



Material:

Slides steel.
Ball cages steel and plastic.
Balls C-steel.

Version:

Slides electro zinc-plated and trivalent blue passivated.
Balls hardened.

Sample order:

K1575.0350

Note for ordering:

Supplied in pairs

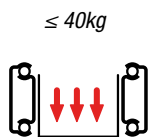
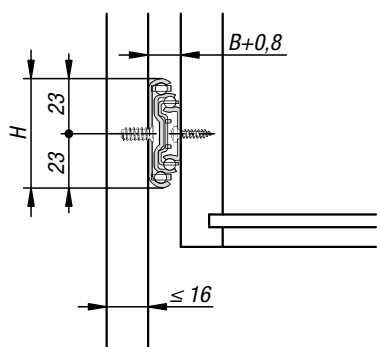
Note:

On telescopic slides with full extension, the travel is equal to the installed length, which ensures greater comfort and accessibility. Interlocking in closed position. When the release lever is actuated, the drawer can be taken out easily and separated from the guide. When pushed back, the guide rails are automatically drawn to the end position by the integrated self-closing mechanism.

The dynamic load capacity of the telescopic slides indicates the maximum load rating of a vertically mounted slide pair when the entire extension length is used. The specified load capacities refer to the maximum value for 20,000 cycles.

Attention:

The load capacity of all telescopic slides is tested to DIN EN 15338 Level 1.

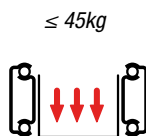
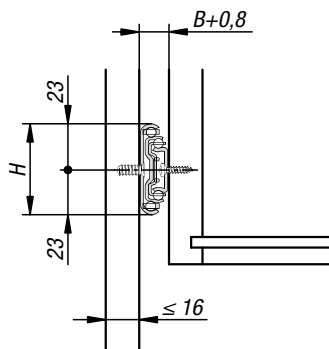
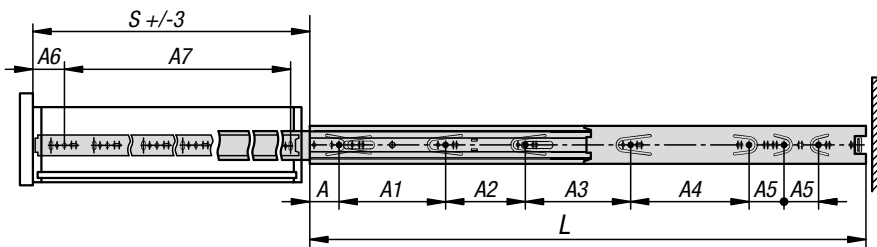


KIPP Steel telescopic slides for side mounting, full extension, load capacity up to 40 kg

Order No.	A	A1	A2	A3	A4	A5	A6	B	H	L	Travel S	Loading per pair kg
K1575.0300	35	128	-	-	-	35	208	12,7	46	300	270	40
K1575.0350	35	128	-	-	-	35	240	12,7	46	350	350	40
K1575.0400	35	128	96	-	-	35	288	12,7	46	400	400	40
K1575.0450	35	128	96	-	-	35	320	12,7	46	450	450	40
K1575.0500	35	128	96	128	-	35	352	12,7	46	500	500	40
K1575.0550	35	128	96	128	-	35	416	12,7	46	550	550	40
K1575.0600	35	128	96	128	96	35	416	12,7	46	600	600	40
K1575.0650	35	128	96	128	128	35	544	12,7	46	650	650	40
K1575.0700	35	128	96	128	192	35	544	12,7	46	700	700	40

Telescopic slides, steel

for side mounting, full extension, load capacity up to 45 kg



Material:

Slides steel.
Ball cages steel and plastic.
Balls C-steel.

Version:

Slides electro zinc-plated and trivalent blue passivated.
Balls hardened.

Sample order:

K1577.0300

Note for ordering:

Supplied in pairs

Note:

On telescopic slides with full extension, the travel is equal to the installed length, which ensures greater comfort and accessibility. Interlocking in closed position. When the release lever is actuated, the drawer can be taken out easily and separated from the guide.

The dynamic load capacity of the telescopic slides indicates the maximum load rating of a vertically mounted slide pair when the entire extension length is used. The specified load capacities refer to the maximum value for 20,000 cycles.

Attention:

The load capacity of all telescopic slides is tested to DIN EN 15338 Level 1.



KIPP Steel telescopic slides for side mounting, full extension, load capacity up to 45 kg

Order No.	A	A1	A2	A3	A4	A5	A6	A7	B	H	L	Travel S	Loading per pair kg
K1577.0250	35	128	-	-	-	-	35	192	12,7	46	250	250	45
K1577.0300	35	128	96	-	-	-	35	242	12,7	46	300	300	45
K1577.0350	35	128	96	-	-	-	35	292	12,7	46	350	350	45
K1577.0400	35	128	96	96	-	-	35	342	12,7	46	400	400	45
K1577.0450	35	128	96	128	-	-	35	392	12,7	46	450	450	45
K1577.0500	35	128	96	128	64	-	35	442	12,7	46	500	500	45
K1577.0550	35	128	96	128	64	32	35	492	12,7	46	550	550	45
K1577.0600	35	128	96	128	96	32	35	542	12,7	46	600	600	45
K1577.0650	35	128	96	128	160	32	35	592	12,7	46	650	650	45
K1577.0700	35	128	96	128	192	32	35	642	12,7	46	700	700	45

Telescopic slides, steel

for side mounting, partial extension, load capacity up to 50 kg

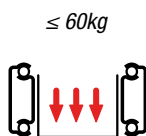
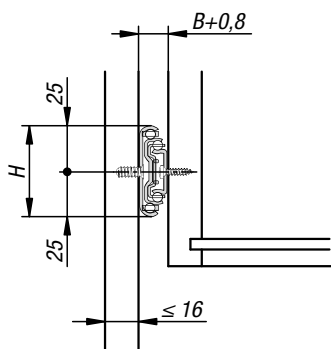
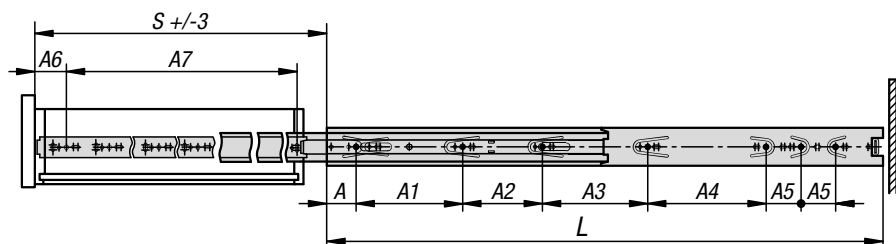
KIPP Steel telescopic slides for side mounting, partial extension, load capacity up to 50 kg

Order No.	Assembly	Product type	Loading per pair kg	Packaging type
K1710.0305	side mounting	standard	50	1 piece = 1 pair
K1710.0356	side mounting	standard	50	1 piece = 1 pair
K1710.0406	side mounting	standard	45	1 piece = 1 pair
K1710.0457	side mounting	standard	45	1 piece = 1 pair
K1710.0508	side mounting	standard	40	1 piece = 1 pair
K1710.0559	side mounting	standard	40	1 piece = 1 pair
K1710.0610	side mounting	standard	35	1 piece = 1 pair
K1710.0660	side mounting	standard	30	1 piece = 1 pair
K1710.0711	side mounting	standard	30	1 piece = 1 pair

Order No.	A	A1	A2	A3	A4	A5	A6	A7	B	H	Travel S	L
K1710.0305	15,9	-	149,2	260,3	273	-	152,4	254	9,5	35,3	227	305
K1710.0356	15,9	-	200	311,1	323,8	-	203,2	304,8	9,5	35,3	277	356
K1710.0406	15,9	-	250,8	361,9	374,6	-	254	355,6	9,5	35,3	302	406
K1710.0457	15,9	212,7	301,6	412,7	425,4	203,2	304,8	406,4	9,5	35,3	328	457
K1710.0508	15,9	238,1	352,4	463,5	476,2	228,6	355,6	457,2	9,5	35,3	379	508
K1710.0559	15,9	263,5	403,2	514,3	527	254	406,4	508	9,5	35,3	405	559
K1710.0610	15,9	288,9	454	565,1	577,8	279,4	457,2	558,8	9,5	35,3	429	610
K1710.0660	15,9	314,3	504,8	615,9	628,6	304,8	508	609,6	9,5	35,3	481	660
K1710.0711	15,9	339,7	555,6	666,8	679,4	330,2	558,8	660,4	9,5	35,3	506	711

Telescopic slides, steel

for side mounting, over-extension, load capacity up to 60 kg



Material:

Slides steel.
Ball cages steel and plastic.
Balls C-steel.

Version:

Slides electro zinc-plated and trivalent blue passivated.
Balls hardened.

Sample order:

K1578.0300

Note for ordering:

Supplied in pairs

Note:

On telescopic slides with over-extension, the travel is greater than the installed length. Interlocking in closed position. When the release lever is actuated, the drawer can be taken out easily and separated from the guide.

The dynamic load capacity of the telescopic slides indicates the maximum load rating of a vertically mounted slide pair when the entire extension length is used. The specified load capacities refer to the maximum value for 20,000 cycles.

Attention:

The load capacity of all telescopic slides is tested to DIN EN 15338 Level 1.

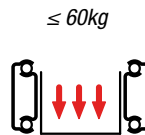
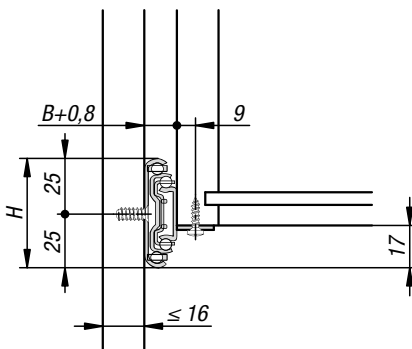
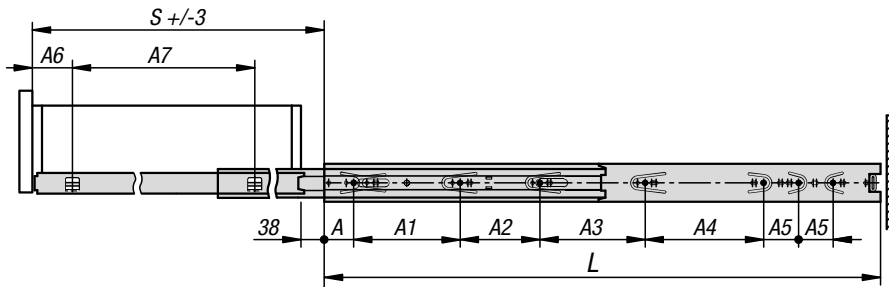


KIPP Steel telescopic slides for side mounting, over-extension, load capacity up to 60 kg

Order No.	A	A1	A2	A3	A4	A5	A6	A7	B	H	L	Travel S	Loading per pair kg
K1578.0250	35	128	-	-	-	-	35	192	12,7	50	250	288	60
K1578.0300	35	128	96	-	-	-	35	242	12,7	50	300	338	60
K1578.0350	35	128	96	-	-	-	35	292	12,7	50	350	388	60
K1578.0400	35	128	96	96	-	-	35	342	12,7	50	400	438	60
K1578.0450	35	128	96	128	-	-	35	392	12,7	50	450	488	60
K1578.0500	35	128	96	128	64	-	35	442	12,7	50	500	538	60
K1578.0550	35	128	96	128	64	32	35	492	12,7	50	550	588	60
K1578.0600	35	128	96	128	96	32	35	542	12,7	50	600	638	60
K1578.0650	35	128	96	128	160	32	35	592	12,7	50	650	688	60
K1578.0700	35	128	96	128	192	32	35	642	12,7	50	700	738	60

Telescopic slides, steel

for surface mounting, over-extension, load capacity up to 60 kg



Material:

Slides steel.
Ball cages steel and plastic.
Balls C-steel.

Version:

Slides electro zinc-plated and trivalent blue passivated.
Balls hardened.

Sample order:

K1579.0400

Note for ordering:

Supplied in pairs

Note:

On telescopic slides with over-extension, the travel is greater than the installed length. Interlocking in closed position. When the release lever is actuated, the drawer can be taken out easily and separated from the guide.

The dynamic load capacity of the telescopic slides indicates the maximum load rating of a vertically mounted slide pair when the entire extension length is used. The specified load capacities refer to the maximum value for 20,000 cycles.

Attention:

The load capacity of all telescopic slides is tested to DIN EN 15338 Level 1.



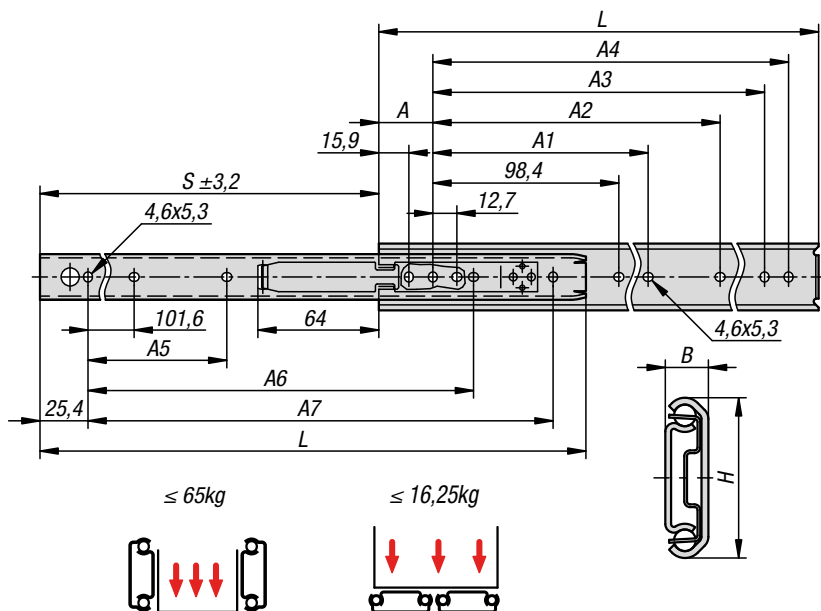
KIPP Steel telescopic slides for surface mounting, over-extension, load capacity up to 60 kg

Order No.	A	A1	A2	A3	A4	A5	A6	A7	B	H	L	Travel S	Loading per pair kg
K1579.0350	35	128	96	-	-	-	35	283	12,7	50	350	388	60
K1579.0400	35	128	96	96	-	-	35	333	12,7	50	400	438	60
K1579.0450	35	128	96	128	-	-	35	383	12,7	50	450	488	60
K1579.0500	35	128	96	128	64	-	35	433	12,7	50	500	538	60
K1579.0550	35	128	96	128	64	32	35	483	12,7	50	550	588	60
K1579.0600	35	128	96	128	96	32	35	533	12,7	50	600	638	60

Telescopic slides, steel

for side mounting, partial extension, load capacity up to 65 kg

19"



Material:

Slides steel.
Ball cages steel.
Balls, steel.

Version:

Slides electro zinc-plated.
Ball cages, electro zinc-plated.
Balls hardened.

Sample order:

K1711.0356

Note for ordering:

Sold in pairs.

Note:

On telescopic slides with partial extension, the travel is less than the installed length. Latches in open position. When the release lever is actuated, the drawer can be taken out easily and separated from the guide. The dynamic load capacity of the telescopic slides indicates the maximum load rating of a vertically mounted slide pair when the entire extension length is used.

The load capacity specified is calculated with a slide spacing of 450 mm and is based on the maximum value with 10,000 cycles.

The load capacity is ca. 75% lower by horizontal mounting.

The head height of the fastening screws should not exceed 2.5 mm otherwise there is a risk of collision with other parts of the slide.

Temperature range:

-20°C to +70°C.

Advantages:

Latches in open position
Quick frontal release

Telescopic slides, steel

for side mounting, partial extension, load capacity up to 65 kg

19"

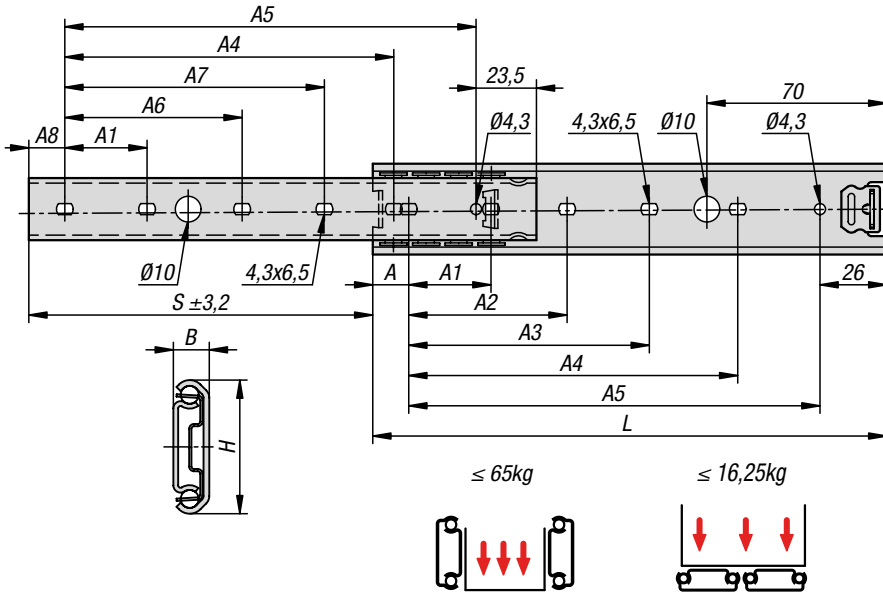
KIPP Steel telescopic slides for side mounting, partial extension, load capacity up to 65 kg

Order No.	Assembly	Product type	Loading per pair kg	Packaging type
K1711.0305	side mounting	standard	65	1 piece = 1 pair
K1711.0356	side mounting	standard	65	1 piece = 1 pair
K1711.0406	side mounting	standard	60	1 piece = 1 pair
K1711.0457	side mounting	standard	55	1 piece = 1 pair
K1711.0508	side mounting	standard	50	1 piece = 1 pair
K1711.0559	side mounting	standard	40	1 piece = 1 pair
K1711.0610	side mounting	standard	35	1 piece = 1 pair
K1711.0660	side mounting	standard	30	1 piece = 1 pair
K1711.0711	side mounting	standard	30	1 piece = 1 pair

Order No.	A	A1	A2	A3	A4	A5	A6	A7	B	H	Travel S	L
K1711.0305	28,6	-	136,5	247,6	260,3	-	215,9	254	9,5	35,3	201,5	305
K1711.0356	28,6	-	187,3	298,4	311,1	-	266,7	304,8	9,5	35,3	252,5	356
K1711.0406	28,6	-	238,1	349,2	361,9	-	317,5	355,6	9,5	35,3	303	406
K1711.0457	28,6	200	288,9	400	412,7	203,2	342,9	406,4	9,5	35,3	329	457
K1711.0508	28,6	225,4	339,7	450,8	463,5	228,6	393,7	457,2	9,5	35,3	379,5	508
K1711.0559	28,6	250,8	390,5	501,6	514,3	254	419,1	508	9,5	35,3	405	559
K1711.0610	28,6	276,2	441,3	552,4	565,1	279,4	444,5	558,8	9,5	35,3	430,5	610
K1711.0660	28,6	301,6	492,1	603,2	615,9	304,8	495,3	609,6	9,5	35,3	481,5	660
K1711.0711	28,6	327	542,9	654	666,7	330,2	520,7	660,4	9,5	35,3	506,5	711

Telescopic slides, stainless steel

for side mounting, partial extension, load capacity up to 65 kg



Material:

Slides stainless steel 1.4301.
Ball cage stainless steel 1.4301.
Balls stainless steel 1.4034.

Version:

Slides bright.
Ball cages bright.
Balls bright.

Sample order:

K1712.0350

Note for ordering:

Sold in pairs.

Note:

On telescopic slides with partial extension, the travel is less than the installed length. Latches in closed position.
The dynamic load capacity of the telescopic slides indicates the maximum load rating of a vertically mounted slide pair when the entire extension length is used.
The load capacity specified is calculated with a slide spacing of 450 mm and is based on the maximum value with 10,000 or 80,000 cycles.

The load capacity is ca. 75% lower by horizontal mounting.

The head height of the fastening screws should not exceed 2.5 mm otherwise there is a risk of collision with other parts of the slide.

Advantages:

- Latches in closed position
- Suitable for flat mounting
- Light running

Telescopic slides, stainless steel

for side mounting, partial extension, load capacity up to 65 kg



KIPP Stainless steel telescopic slides for side mounting, partial extension, load capacity up to 65 kg

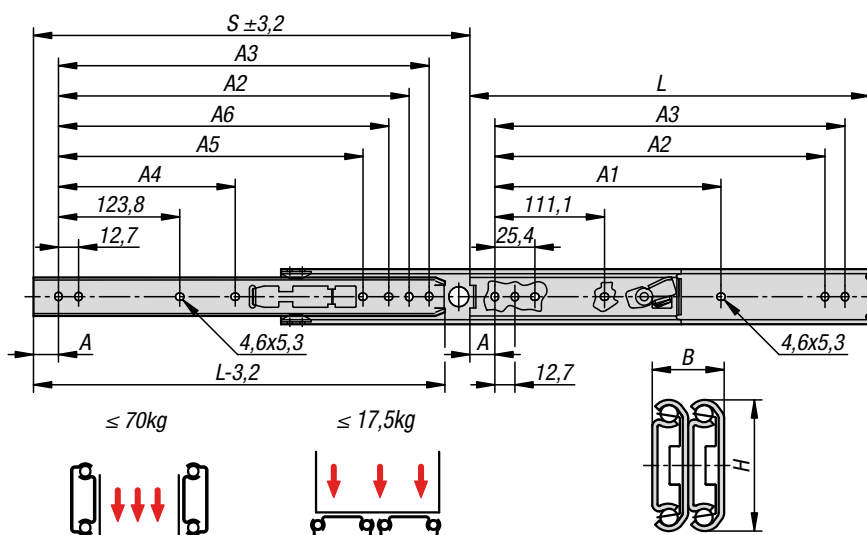
Order No.	Assembly	Product type	Load capacity per pair (80,000 cycles) kg	Loading pair (10,000 cycles) kg	Packaging type
K1712.0300	side mounting	standard	60	65	1 piece = 1 pair
K1712.0350	side mounting	standard	57	63	1 piece = 1 pair
K1712.0400	side mounting	standard	54	59	1 piece = 1 pair
K1712.0450	side mounting	standard	50	57	1 piece = 1 pair
K1712.0500	side mounting	standard	47	53	1 piece = 1 pair
K1712.0550	side mounting	standard	45	50	1 piece = 1 pair
K1712.0600	side mounting	standard	43	46	1 piece = 1 pair
K1712.0650	side mounting	standard	41	43	1 piece = 1 pair
K1712.0700	side mounting	standard	40	42	1 piece = 1 pair

Order No.	A	A1	A2	A3	A4	A5	A6	A7	A8	B	H	Travel S	L
K1712.0300	18	32	-	-	224	256	128	160	17,5	9,5	35,34	209	300
K1712.0350	36	32	160	192	256	288	160	192	35,5	9,5	35,34	245	350
K1712.0400	22	32	160	192	320	352	160	192	21,5	9,5	35,34	282	400
K1712.0450	8	32	224	256	384	416	224	256	7,5	9,5	35,34	320	450
K1712.0500	26	32	224	256	416	448	224	256	25,5	9,5	35,34	357	500
K1712.0550	12	32	288	320	480	512	288	320	11,5	9,5	35,34	394	550
K1712.0600	30	32	288	320	512	544	288	320	29,5	9,5	35,34	432	600
K1712.0650	16	32	352	384	576	608	352	384	15,5	9,5	35,34	469	650
K1712.0700	34	32	352	384	608	640	352	384	33,5	9,5	35,34	506	700

Telescopic slides, steel

for side mounting, over-extension, load capacity up to 70 kg

19"



Material:

Slides steel.
Ball cages steel.
Balls, steel.

Version:

Slides electro zinc-plated.
Ball cages, electro zinc-plated.
Balls hardened.

Sample order:

K1713.0356

Note for ordering:

Sold in pairs.
Fastening material included.

Note:

On telescopic slides with over-extension, the travel is greater than the installed length. Latches in open position. When the release lever is actuated, the drawer can be taken out easily and separated from the guide. The dynamic load capacity of the telescopic slides indicates the maximum load rating of a vertically mounted slide pair when the entire extension length is used. The load capacities specified refer to the maximum value for 10,000 cycles.

The load capacity is ca. 75% lower by horizontal mounting.

The head height of the fastening screws should not exceed 2.5 mm otherwise there is a risk of collision with other parts of the slide.

Temperature range:

-20°C to +110°C.

Advantages:

Latches in open position
Quick frontal release

Telescopic slides, steel

for side mounting, over-extension, load capacity up to 70 kg

19"

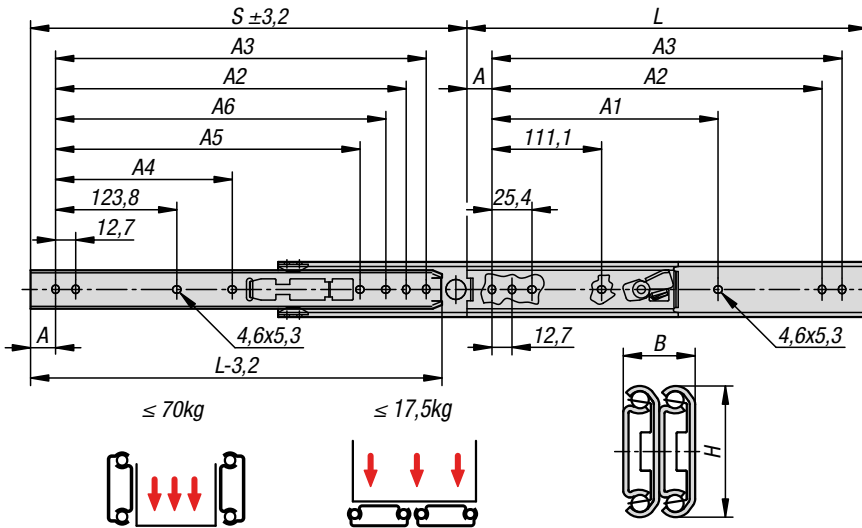
KIPP Steel telescopic slides for side mounting, over-extension, load capacity up to 70 kg

Order No.	Assembly	Product type	Loading per pair kg	Packaging type
K1713.0305	side mounting	standard	70	1 piece = 1 pair
K1713.0356	side mounting	standard	68	1 piece = 1 pair
K1713.0406	side mounting	standard	65	1 piece = 1 pair
K1713.0457	side mounting	standard	62	1 piece = 1 pair
K1713.0508	side mounting	standard	57	1 piece = 1 pair
K1713.0559	side mounting	standard	52	1 piece = 1 pair
K1713.0610	side mounting	standard	46	1 piece = 1 pair
K1713.0660	side mounting	standard	41	1 piece = 1 pair
K1713.0711	side mounting	standard	36	1 piece = 1 pair

Order No.	A	A1	A2	A3	A4	A5	A6	B	H	Travel S	L
K1713.0305	15,9	-	260,3	273	-	-	-	19,1	35,3	327	305
K1713.0356	15,9	-	311,1	323,8	-	-	298,4	19,1	35,3	378	356
K1713.0406	15,9	250,8	361,9	374,6	-	-	349,2	19,1	35,3	429	406
K1713.0457	15,9	301,6	412,7	425,4	212,7	-	400	19,1	35,3	479,5	457
K1713.0508	15,9	352,4	463,5	476,2	238,1	365,2	450,8	19,1	35,3	530,5	508
K1713.0559	15,9	403,2	514,3	527	263,5	415,9	501,6	19,1	35,3	581	559
K1713.0610	15,9	454	565,1	577,8	288,9	466,7	552,4	19,1	35,3	632	610
K1713.0660	15,9	504,8	615,9	628,6	314,3	517,7	603,2	19,1	35,3	683	660
K1713.0711	15,9	555,6	666,7	679,4	339,7	568,3	654	19,1	35,3	733,5	711

Telescopic slides, stainless steel

for side mounting, over-extension, load capacity up to 70 kg



Material:

Slides stainless steel 1.4301.
Ball cage stainless steel 1.4301.
Balls stainless steel 1.4034.

Version:

Slides bright.
Ball cages bright.
Balls bright.

Sample order:

K1714.0356

Note for ordering:

Sold in pairs.

Note:

On telescopic slides with over-extension, the travel is greater than the installed length. Latches in open position. When the release lever is actuated, the drawer can be taken out easily and separated from the guide. The dynamic load capacity of the telescopic slides indicates the maximum load rating of a vertically mounted slide pair when the entire extension length is used. The load capacity specified is calculated with a slide spacing of 450 mm and is based on the maximum value with 10,000 cycles.

The load capacity is ca. 75% lower by horizontal mounting.

The head height of the fastening screws should not exceed 2.5 mm otherwise there is a risk of collision with other parts of the slide.

Temperature range:

-20°C to +110°C.

Advantages:

Latches in open position
Quick frontal release

Telescopic slides, stainless steel

for side mounting, over-extension, load capacity up to 70 kg



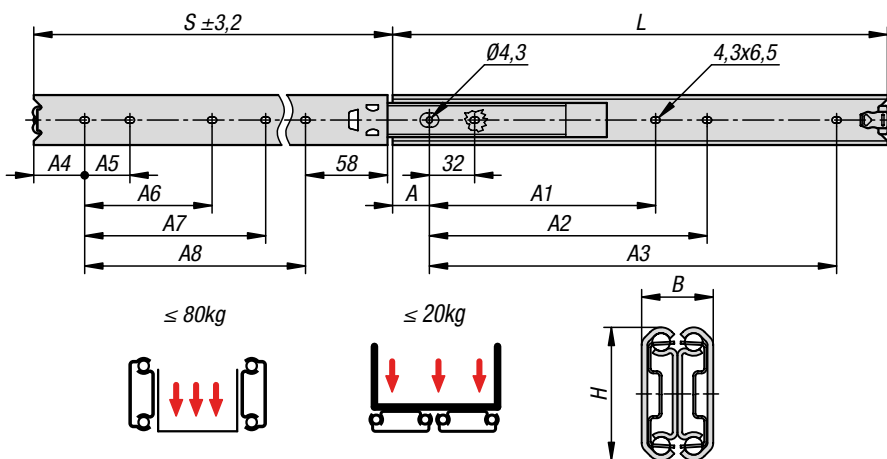
KIPP Stainless steel telescopic slides for side mounting, over-extension, load capacity up to 70 kg

Order No.	Assembly	Product type	Loading per pair kg	Packaging type
K1714.0305	side mounting	standard	70	1 piece = 1 pair
K1714.0356	side mounting	standard	68	1 piece = 1 pair
K1714.0406	side mounting	standard	65	1 piece = 1 pair
K1714.0457	side mounting	standard	62	1 piece = 1 pair
K1714.0508	side mounting	standard	57	1 piece = 1 pair
K1714.0559	side mounting	standard	52	1 piece = 1 pair
K1714.0610	side mounting	standard	46	1 piece = 1 pair
K1714.0660	side mounting	standard	41	1 piece = 1 pair
K1714.0711	side mounting	standard	36	1 piece = 1 pair

Order No.	A	A1	A2	A3	A4	A5	A6	B	H	Travel S	L
K1714.0305	15,9	-	260,3	273	-	-	-	19,1	35,3	327	305
K1714.0356	15,9	-	311,1	323,8	-	-	298,4	19,1	35,3	378	356
K1714.0406	15,9	250,8	361,9	374,6	-	-	349,2	19,1	35,3	429	406
K1714.0457	15,9	301,6	412,7	425,4	212,7	-	400	19,1	35,3	479,5	457
K1714.0508	15,9	352,4	463,5	476,2	238,1	365,2	450,8	19,1	35,3	530,5	508
K1714.0559	15,9	403,2	514,3	527	263,5	415,9	501,6	19,1	35,3	581	559
K1714.0610	15,9	454	565,1	577,8	288,9	466,7	552,4	19,1	35,3	632	610
K1714.0660	15,9	504,8	615,9	628,6	314,3	517,7	603,2	19,1	35,3	683	660
K1714.0711	15,9	555,6	666,7	679,4	339,7	568,3	654	19,1	35,3	733,5	711

Telescopic slides, stainless steel

for side mounting, full extension, load capacity up to 80 kg



Material:

Slides stainless steel 1.4301.
Ball cage stainless steel 1.4301.
Balls stainless steel 1.4034.

Version:

Slides bright.
Ball cages bright.
Balls bright.

Sample order:

K1715.0350

Note for ordering:

Sold in pairs.

Note:

On telescopic slides with full extension, the travel is similar to the installed length, which ensures greater comfort and accessibility. Latches in closed position. The dynamic load capacity of the telescopic slides indicates the maximum load rating of a vertically mounted slide pair when the entire extension length is used. The load capacity specified is calculated with a slide spacing of 450 mm and is based on the maximum value with 10,000 or 80,000 cycles.

The load capacity is ca. 75% lower by horizontal mounting.

The head height of the fastening screws should not exceed 2.5 mm otherwise there is a risk of collision with other parts of the slide.

Advantages:

Latches in closed position
Suitable for flat mounting
Light running

Telescopic slides, stainless steel

for side mounting, full extension, load capacity up to 80 kg



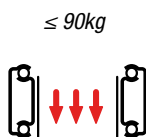
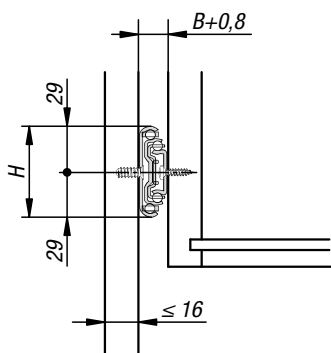
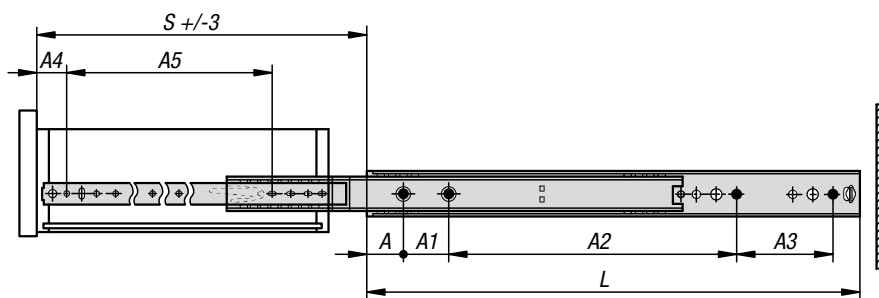
KIPP Stainless steel telescopic slides for side mounting, full extension, load capacity up to 80 kg

Order No.	Assembly	Product type	Load capacity per pair (80,000 cycles) kg	Loading pair (10,000 cycles) kg	Packaging type
K1715.0300	side mounting	standard	50	65	1 piece = 1 pair
K1715.0350	side mounting	standard	55	70	1 piece = 1 pair
K1715.0400	side mounting	standard	60	75	1 piece = 1 pair
K1715.0450	side mounting	standard	65	80	1 piece = 1 pair
K1715.0500	side mounting	standard	57	75	1 piece = 1 pair
K1715.0550	side mounting	standard	50	70	1 piece = 1 pair
K1715.0600	side mounting	standard	45	65	1 piece = 1 pair
K1715.0700	side mounting	standard	30	55	1 piece = 1 pair

Order No.	A	A1	A2	A3	A4	A5	A6	A7	A8	B	H	Travel S	L
K1715.0300	26	-	192	224	18	32	-	-	224	19,1	35,3	304,5	300
K1715.0350	26	-	224	256	36	32	-	-	256	19,1	35,3	354	350
K1715.0400	26	-	192	320	22	32	-	160	320	19,1	35,3	403	400
K1715.0450	26	-	224	352	40	32	-	160	352	19,1	35,3	452	450
K1715.0500	26	256	288	416	26	32	160	192	416	19,1	35,3	501	500
K1715.0550	26	288	320	480	44	32	160	192	448	19,1	35,3	550,5	550
K1715.0600	26	320	352	512	30	32	192	224	512	19,1	35,3	600	600
K1715.0700	26	352	384	608	34	32	256	288	608	19,1	35,3	698	700

Telescopic slides, steel

for side mounting, over-extension, load capacity up to 90 kg



Material:

Slides steel.
Ball cages steel and plastic.
Balls C-steel.

Version:

Slides electro zinc-plated and trivalent blue passivated.
Balls hardened.

Sample order:

K1580.0350

Note for ordering:

Supplied in pairs

Note:

On telescopic slides with over-extension, the travel is greater than the installed length. Interlocking in closed position. When the release lever is actuated, the drawer can be taken out easily and separated from the guide.

The dynamic load capacity of the telescopic slides indicates the maximum load rating of a vertically mounted slide pair when the entire extension length is used. The specified load capacities refer to the maximum value for 20,000 cycles.

Attention:

The load capacity of all telescopic slides is tested to DIN EN 15338 Level 1.



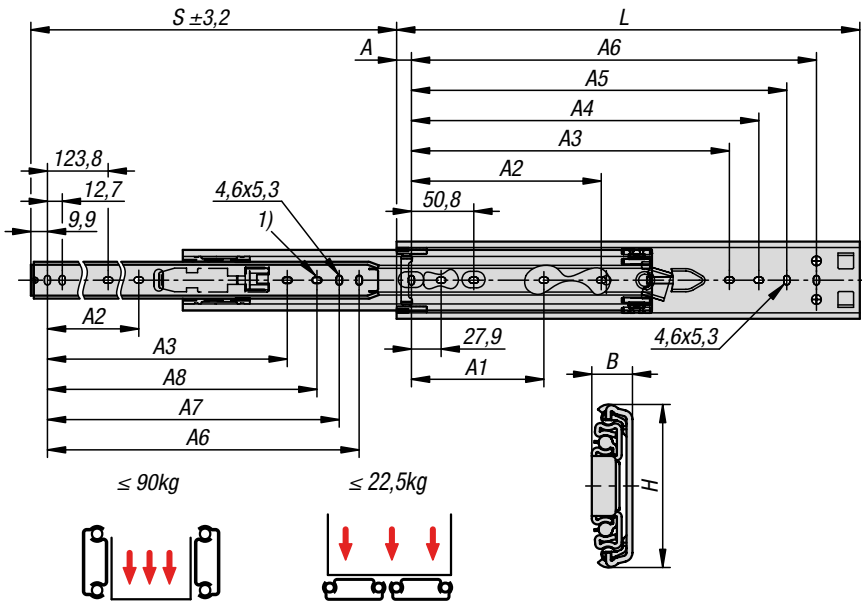
KIPP Steel telescopic slides for side mounting, over-extension, load capacity up to 90 kg

Order No.	A	A1	A2	A3	A4	A5	B	H	L	Travel S	Loading per pair kg
K1580.0300	31,75	57	122	-	31,75	233,5	19	58	300	338	90
K1580.0350	31,75	57	172	-	31,75	283,5	19	58	350	388	90
K1580.0400	31,75	57	111	111	31,75	333,5	19	58	400	438	90
K1580.0450	31,75	57	136	136	31,75	383,5	19	58	450	488	90
K1580.0500	31,75	57	161	161	31,75	433,5	19	58	500	538	90
K1580.0550	31,75	57	186	186	31,75	483,5	19	58	550	588	90
K1580.0600	31,75	57	211	211	31,75	533,5	19	58	600	638	90
K1580.0650	31,75	57	236	236	31,75	583,5	19	58	650	688	90
K1580.0700	31,75	57	261	261	31,75	633,5	19	58	700	738	90



Telescopic slides, stainless steel

for side mounting, over-extension, load capacity up to 90 kg



Material:

Slides stainless steel 1.4301.
Ball cage stainless steel 1.4301.
Balls stainless steel 1.4034.

Version:

Slides bright.
Ball cages bright.
Balls bright.

Sample order:

K1716.0356

Note for ordering:

Sold in pairs.

Note:

On telescopic slides with over-extension, the travel is greater than the installed length. Latches in open position. When the release lever is actuated, the drawer can be taken out easily and separated from the guide. The dynamic load capacity of the telescopic slides indicates the maximum load rating of a vertically mounted slide pair when the entire extension length is used. The load capacity specified is calculated with a slide spacing of 400 mm and is based on the maximum value with 10,000 cycles.

The load capacity is ca. 75% lower by horizontal mounting.

The head height of the fastening screws should not exceed 2.5 mm otherwise there is a risk of collision with other parts of the slide.

Advantages:

Latches in open position
Quick frontal release

Drawing reference:

1) Mounting hole by K1716.0305 not provided

Telescopic slides, stainless steel

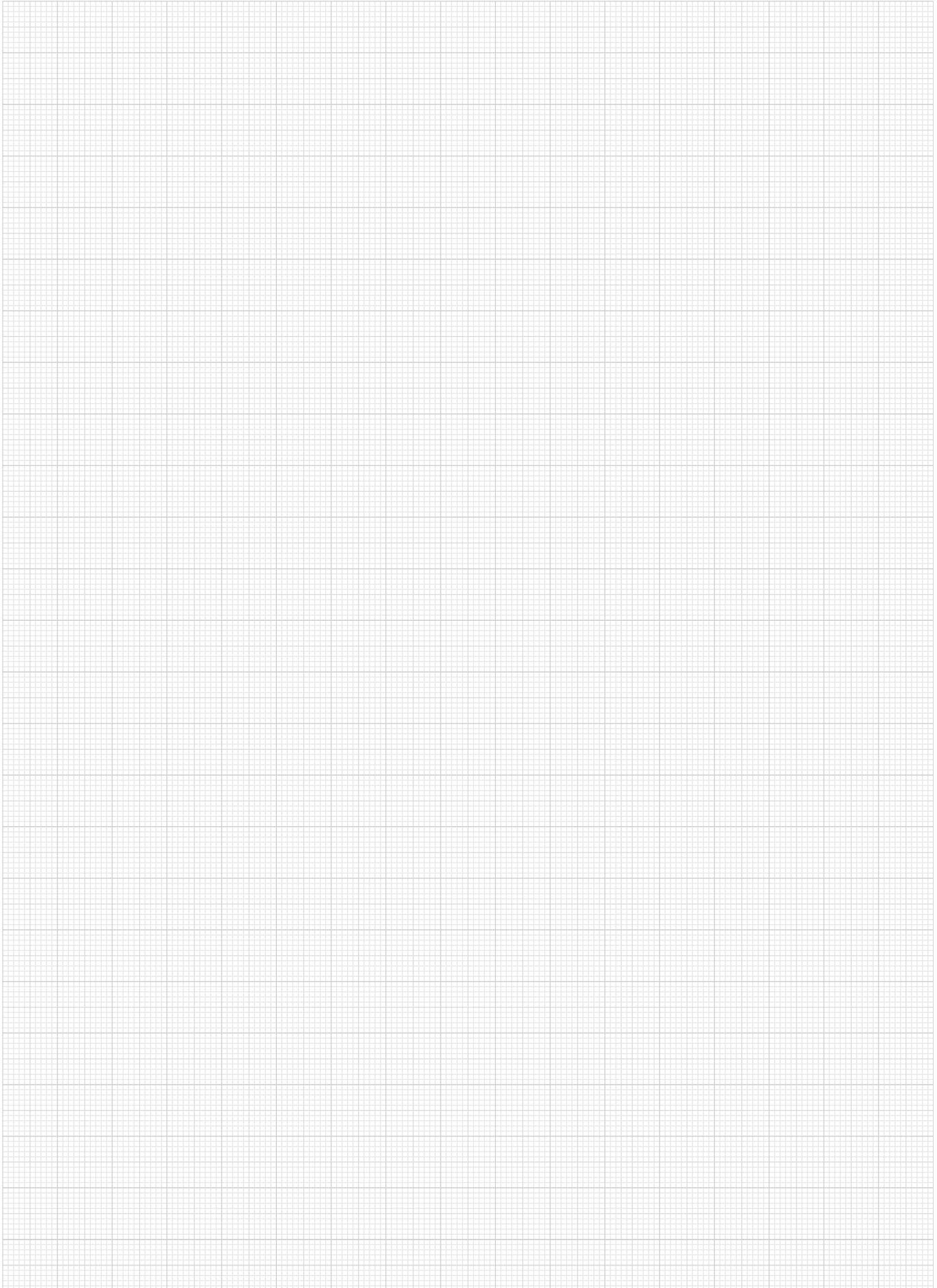
for side mounting, over-extension, load capacity up to 90 kg



KIPP Stainless steel telescopic slides for side mounting, over-extension, load capacity up to 90 kg

Order No.	Assembly	Product type	Loading per pair kg	Packaging type
K1716.0305	side mounting	standard	56	1 piece = 1 pair
K1716.0356	side mounting	standard	68	1 piece = 1 pair
K1716.0406	side mounting	standard	80	1 piece = 1 pair
K1716.0457	side mounting	standard	85	1 piece = 1 pair
K1716.0508	side mounting	standard	90	1 piece = 1 pair
K1716.0559	side mounting	standard	90	1 piece = 1 pair
K1716.0610	side mounting	standard	90	1 piece = 1 pair
K1716.0660	side mounting	standard	87	1 piece = 1 pair

Order No.	A	A1	A2	A3	A4	A5	A6	A7	A8	B	H	Travel S	L
K1716.0305	15,9	-	-	-	209,6	235	260,4	247,7	-	12,7	51,6	330	305
K1716.0356	15,9	-	-	-	260,4	285,8	311,2	298,5	285,8	12,7	51,6	381	356
K1716.0406	15,9	123,8	-	-	311,2	336,6	362	349,3	336,6	12,7	51,6	432	406
K1716.0457	15,9	123,8	177,8	314,4	362	387,4	412,8	400,1	387,4	12,7	51,6	483	457
K1716.0508	15,9	123,8	203,2	365,3	412,8	438,2	463,6	450,9	438,2	12,7	51,6	533	508
K1716.0559	15,9	123,8	228,6	416,1	463,6	489	514,4	501,7	489	12,7	51,6	584	559
K1716.0610	15,9	123,8	254	466,9	514,4	539,8	565,2	552,5	539,8	12,7	51,6	635	610
K1716.0660	15,9	123,8	279,4	517,7	565,2	590,6	616	603,3	590,6	12,7	51,6	686	660



Telescopic slides, steel

for side mounting, full extension, load capacity up to 160 kg

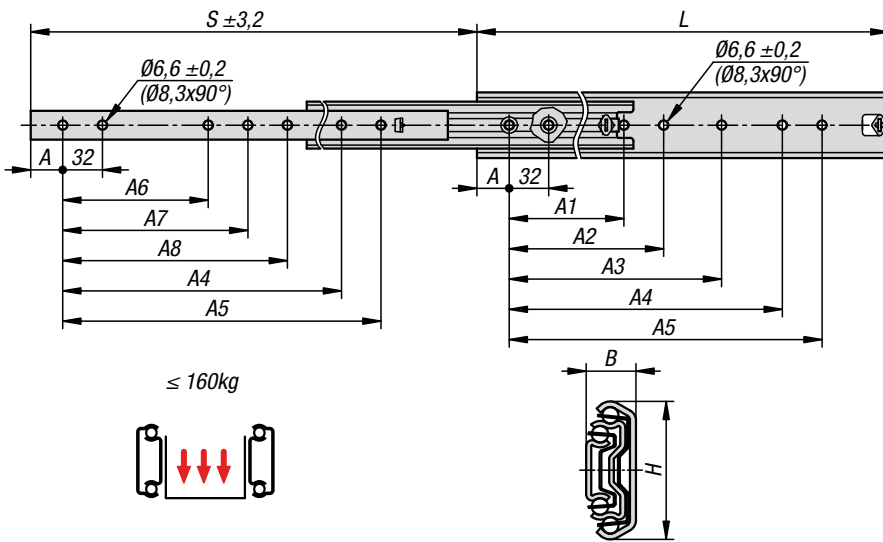
KIPP Steel telescopic slides for side mounting, full extension, load capacity up to 160 kg

Order No.	Assembly	Product type	Loading per pair kg	Packaging type
K1717.0305	side mounting	standard	140	1 piece = 1 pair
K1717.0356	side mounting	standard	140	1 piece = 1 pair
K1717.0407	side mounting	standard	150	1 piece = 1 pair
K1717.0457	side mounting	standard	150	1 piece = 1 pair
K1717.0508	side mounting	standard	160	1 piece = 1 pair
K1717.0559	side mounting	standard	160	1 piece = 1 pair
K1717.0610	side mounting	standard	160	1 piece = 1 pair
K1717.0660	side mounting	standard	160	1 piece = 1 pair
K1717.0711	side mounting	standard	160	1 piece = 1 pair
K1717.0762	side mounting	standard	160	1 piece = 1 pair
K1717.0813	side mounting	standard	160	1 piece = 1 pair
K1717.0864	side mounting	standard	160	1 piece = 1 pair
K1717.0914	side mounting	standard	160	1 piece = 1 pair

Order No.	A	A1	A2	A3	A4	A5	A6	A7	A8	A9	A10	A11	A12	A13	A14	B	H	Travel S	L
K1717.0305	31,8	-	-	184,2	200,2	241,3	-	-	-	-	-	-	-	179,4	198,5	19,1	70,8	304,8	304,8
K1717.0356	31,8	-	-	235	251	292,1	-	-	-	-	-	-	-	230,2	249,3	19,1	70,8	355,6	355,6
K1717.0407	31,8	-	-	285,8	301,8	342,9	108	-	-	-	-	236,6	262	281	300,1	19,1	70,8	406,4	406,4
K1717.0457	31,8	-	-	336,6	352,6	393,7	108	-	-	-	-	287,4	312,8	331,8	350,9	19,1	70,8	457,2	457,2
K1717.0508	31,8	-	-	387,4	403,4	444,5	108	171,5	-	-	-	338,2	363,6	382,6	401,7	19,1	70,8	508	508
K1717.0559	31,8	-	-	438,2	454,2	495,3	108	171,5	-	-	328,7	389	414,4	433,4	452,5	19,1	70,8	558,8	558,8
K1717.0610	31,8	-	-	489	505	546,1	108	171,5	-	-	379,5	439,8	465,2	484,2	503,3	19,1	70,8	609,6	609,6
K1717.0660	31,8	-	-	539,8	555,8	596,9	108	171,5	-	-	430,3	490,6	516	535	554,1	19,1	70,8	660,4	660,4
K1717.0711	31,8	-	-	590,6	606,6	647,7	108	171,5	-	-	481,1	541,4	566,8	585,8	604,9	19,1	70,8	711,2	711,2
K1717.0762	31,8	203,2	469,9	641,4	657,4	698,5	108	171,5	-	-	531,9	592,2	617,6	636,6	655,7	19,1	70,8	762	762
K1717.0813	31,8	203,2	520,7	692,2	708,2	749,3	108	171,5	-	-	582,7	643	688,4	687,4	706,5	19,1	70,8	812,8	812,8
K1717.0864	31,8	203,2	571,5	743	759	800,1	108	171,5	349,3	-	633,5	693,8	719,2	738,2	757,3	19,1	70,8	863,6	863,6
K1717.0914	31,8	203,2	622,3	793,8	809,8	850,9	108	171,5	349,3	501,7	684,3	744,6	770	789	808,1	19,1	70,8	914,4	914,4

Telescopic slides, steel

for side mounting, over-extension, load capacity up to 160 kg



Material:

Slides steel.
Ball cages steel.
Balls, steel.

Version:

Slides electro zinc-plated.
Ball cages, electro zinc-plated.
Balls hardened.

Sample order:

K1718.0350

Note for ordering:

Sold in pairs.

Note:

On telescopic slides with over-extension, the travel is greater than the installed length. Latches in closed position. The dynamic load capacity of the telescopic slides indicates the maximum load rating of a vertically mounted slide pair when the entire extension length is used. The load capacity specified is calculated with a slide spacing of 450 mm and is based on the maximum value with 10,000 or 80,000 cycles.

Not suitable for horizontal mounting.

Temperature range:

-20°C to +70°C.

Advantages:

Latches in closed position
Light running
Precise guidance for high lateral stability

Telescopic slides, steel

for side mounting, over-extension, load capacity up to 160 kg

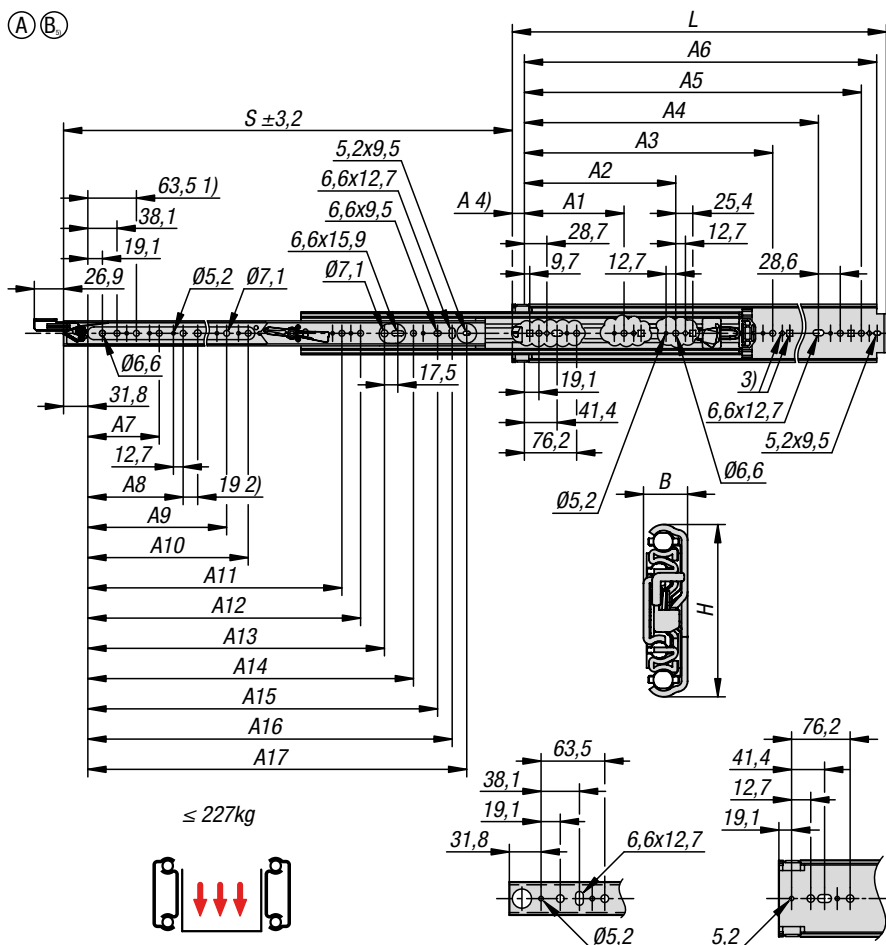
KIPP Steel telescopic slides for side mounting, over-extension, load capacity up to 160 kg

Order No.	Assembly	Product type	Load capacity per pair (80,000 cycles) kg	Loading pair (10,000 cycles) kg	Packaging type
K1718.0300	side mounting	standard	120	130	1 piece = 1 pair
K1718.0350	side mounting	standard	120	140	1 piece = 1 pair
K1718.0400	side mounting	standard	130	150	1 piece = 1 pair
K1718.0450	side mounting	standard	140	160	1 piece = 1 pair
K1718.0500	side mounting	standard	140	160	1 piece = 1 pair
K1718.0550	side mounting	standard	140	160	1 piece = 1 pair
K1718.0600	side mounting	standard	120	150	1 piece = 1 pair
K1718.0700	side mounting	standard	110	130	1 piece = 1 pair
K1718.0790	side mounting	standard	100	100	1 piece = 1 pair
K1718.0900	side mounting	standard	80	90	1 piece = 1 pair
K1718.1000	side mounting	standard	70	80	1 piece = 1 pair
K1718.1100	side mounting	standard	60	70	1 piece = 1 pair

Order No.	A	A1	A2	A3	A4	A5	A6	A7	A8	B	H	Travel S	L
K1718.0300	26	-	-	-	192	224	-	-	-	19,1	53,1	323,5	300
K1718.0350	26	-	-	-	224	256	-	-	-	19,1	53,1	373,5	350
K1718.0400	26	-	160	192	288	320	128	160	-	19,1	53,1	423,5	400
K1718.0450	26	-	160	192	320	352	128	160	-	19,1	53,1	473,5	450
K1718.0500	26	-	192	224	384	416	160	192	-	19,1	53,1	523,5	500
K1718.0550	26	-	192	224	416	448	160	192	-	19,1	53,1	573,5	550
K1718.0600	26	-	256	288	480	512	192	256	-	19,1	53,1	623,5	600
K1718.0700	26	288	320	544	576	608	256	288	544	19,1	53,1	723,5	700
K1718.0790	26	-	352	384	672	704	320	352	384	19,1	53,1	803,5	790
K1718.0900	26	-	448	480	768	800	352	384	416	19,1	53,1	923,5	900
K1718.1000	26	448	480	512	864	896	448	480	-	19,1	53,1	1023,5	1000
K1718.1100	26	448	544	576	992	1024	448	480	512	19,1	53,1	1123,5	1100

Telescopic slides, steel

for side mounting, full extension, load capacity up to 272 kg



Material:

Slides steel.
Ball cages steel.
Balls, steel.

Version:

Slides electro zinc-plated.
Ball cages, electro zinc-plated.
Balls hardened.

Sample order:

1 Pair (latching both sides): K1719.****0 (left) & K1719.****1 (right)
1 Pair (latching one side): K1719.****0 (left) or K1719.****1 (right) & K1720.****

Note for ordering:

Sold individually.

Note:

By telescopic slides with full extension, the travel is roughly equal to the installed length, which ensures greater comfort and accessibility. Latches in open and closed positions. The telescopic slides can only be opened or closed after the release lever has been actuated. The dynamic load capacity of the telescopic slides indicates the maximum load rating of a vertically mounted slide pair when the entire extension length is used. The load capacities specified refer to the maximum value for 10,000 cycles.

Not suitable for horizontal mounting.

The head height of the fastening screws should not exceed 4,8 mm otherwise there is a risk of collision with other parts of the slide.

Drawing reference:

- 1) Mounting hole by K1719.03050 and K1719.03051 not provided
- 2) Mounting hole by K1719.05590 and K1719.05591 not provided
- 3) Cut-out for carriage bolt
- 4) Reference dimension only, not a mounting hole
- 5) Form B, identical dimensions as the right-hand version

These telescopic slides cannot be ordered as a pair. If double sided latching is desired, a left and a right version must be ordered.

If single sided latching is desired, a combination with K1720 is possible.

Advantages:

Latches in open and closed positions
For heavy duty use
Manual release
Light running

Accessories:

Steel telescopic slides K1720.

Attention:

The maximum load rating refers to a pair of telescopic slides.

Telescopic slides, steel

for side mounting, full extension, load capacity up to 272 kg

KIPP Steel telescopic slides for side mounting, full extension, load capacity up to 272 kg

Order No.	Form	Form definition	Assembly	Product type	Loading per pair kg	Packaging type
K1719.03050	A	left	side mounting	standard	272	packaged individually
K1719.03560	A	left	side mounting	standard	272	packaged individually
K1719.04060	A	left	side mounting	standard	272	packaged individually
K1719.04570	A	left	side mounting	standard	272	packaged individually
K1719.05080	A	left	side mounting	standard	272	packaged individually
K1719.05590	A	left	side mounting	standard	272	packaged individually
K1719.06100	A	left	side mounting	standard	267	packaged individually
K1719.06600	A	left	side mounting	standard	264	packaged individually
K1719.07110	A	left	side mounting	standard	261	packaged individually
K1719.07620	A	left	side mounting	standard	258	packaged individually
K1719.08130	A	left	side mounting	standard	256	packaged individually
K1719.08640	A	left	side mounting	standard	256	packaged individually
K1719.09140	A	left	side mounting	standard	248	packaged individually
K1719.10160	A	left	side mounting	standard	237	packaged individually
K1719.10670	A	left	side mounting	standard	228	packaged individually
K1719.12190	A	left	side mounting	standard	204	packaged individually
K1719.13720	A	left	side mounting	standard	196	packaged individually
K1719.15240	A	left	side mounting	standard	182	packaged individually

Order No.	A	A1	A2	A3	A4	A5	A6	A7	A8	A9	A10	A11	A12	A13	A14	A15	A16	B	H	Travel S	L
K1719.03050	12,7	-	-	-	203,2	260,4	279,4	-	-	-	-	-	-	-	153,9	179,3	198,4	19,1	76,2	304,8	304,8
K1719.03560	12,7	-	-	-	254	311,2	330,2	-	-	-	-	-	-	-	204,7	230,1	249,2	19,1	76,2	355,6	355,6
K1719.04060	12,7	-	-	-	304,8	362	381	-	-	-	-	-	-	-	255,5	280,9	300	19,1	76,2	406,4	406,4
K1719.04570	12,7	-	-	-	355,6	412,8	431,8	127	-	-	-	-	-	-	306,3	331,7	350,8	19,1	76,2	457,2	457,2
K1719.05080	12,7	-	-	-	406,4	463,6	482,6	127	-	-	-	-	-	296,6	357,1	382,5	401,6	19,1	76,2	508	508
K1719.05590	12,7	-	-	-	457,2	514,4	533,4	127	190,5	-	-	-	-	347,7	407,9	433,3	452,4	19,1	76,2	558,8	558,8
K1719.06100	12,7	-	-	-	508	565,2	584,2	127	190,5	-	-	-	-	398,5	458,7	484,1	503,2	19,1	76,2	609,6	609,6
K1719.06600	12,7	-	-	-	558,8	616	635	127	190,5	-	-	-	-	449,3	509,5	534,9	554	19,1	76,2	660,4	660,4
K1719.07110	12,7	-	-	-	609,6	666,8	685,8	127	190,5	-	-	-	-	500,1	560,3	585,7	604,8	19,1	76,2	711,2	711,2
K1719.07620	12,7	235	-	501,7	660,4	717,6	736,6	127	190,5	-	-	-	-	550,9	611,1	636,5	655,6	19,1	76,2	762	762
K1719.08130	12,7	235	-	552,5	711,2	768,4	787,4	127	190,5	-	-	-	-	601,7	661,9	687,3	706,4	19,1	76,2	812,8	812,8
K1719.08640	12,7	235	-	603,2	762	819,1	838,2	127	190,5	-	520,7	-	-	652,5	712,7	738,1	757,1	19,1	76,2	863,6	863,6
K1719.09140	12,7	235	-	654,1	812,8	869,9	889	127	190,5	368,3	520,7	-	-	703,3	763,5	788,9	807,9	19,1	76,2	914,4	914,4
K1719.10160	12,7	235	-	755,7	914,4	971,5	990,6	127	190,5	368,3	-	-	-	804,9	865,1	890,5	909,5	19,1	76,2	1016	1016
K1719.10670	12,7	235	-	806,5	965,2	1022,4	1041,4	127	190,5	368,3	-	-	-	855,7	915,9	941,3	960,4	19,1	76,2	1066,8	1066,8
K1719.12190	12,7	235	-	958,9	1117,6	1174,8	1193,8	127	190,5	368,3	520,7	825,5	-	1008,1	1068,3	1093,7	1112,8	19,1	76,2	1219,2	1219,2
K1719.13720	12,7	235	-	958,9	1270	1327,2	1346,2	127	190,5	368,3	520,7	825,5	-	1160,5	1220,8	1246,2	1265,2	19,1	76,2	1371,6	1371,6
K1719.15240	12,7	235	596,6	958,9	1422,4	1479,5	1498,6	127	190,5	368,3	520,7	825,5	1130,3	1312,9	1373,1	1398,5	1417,8	19,1	76,2	1524	1524

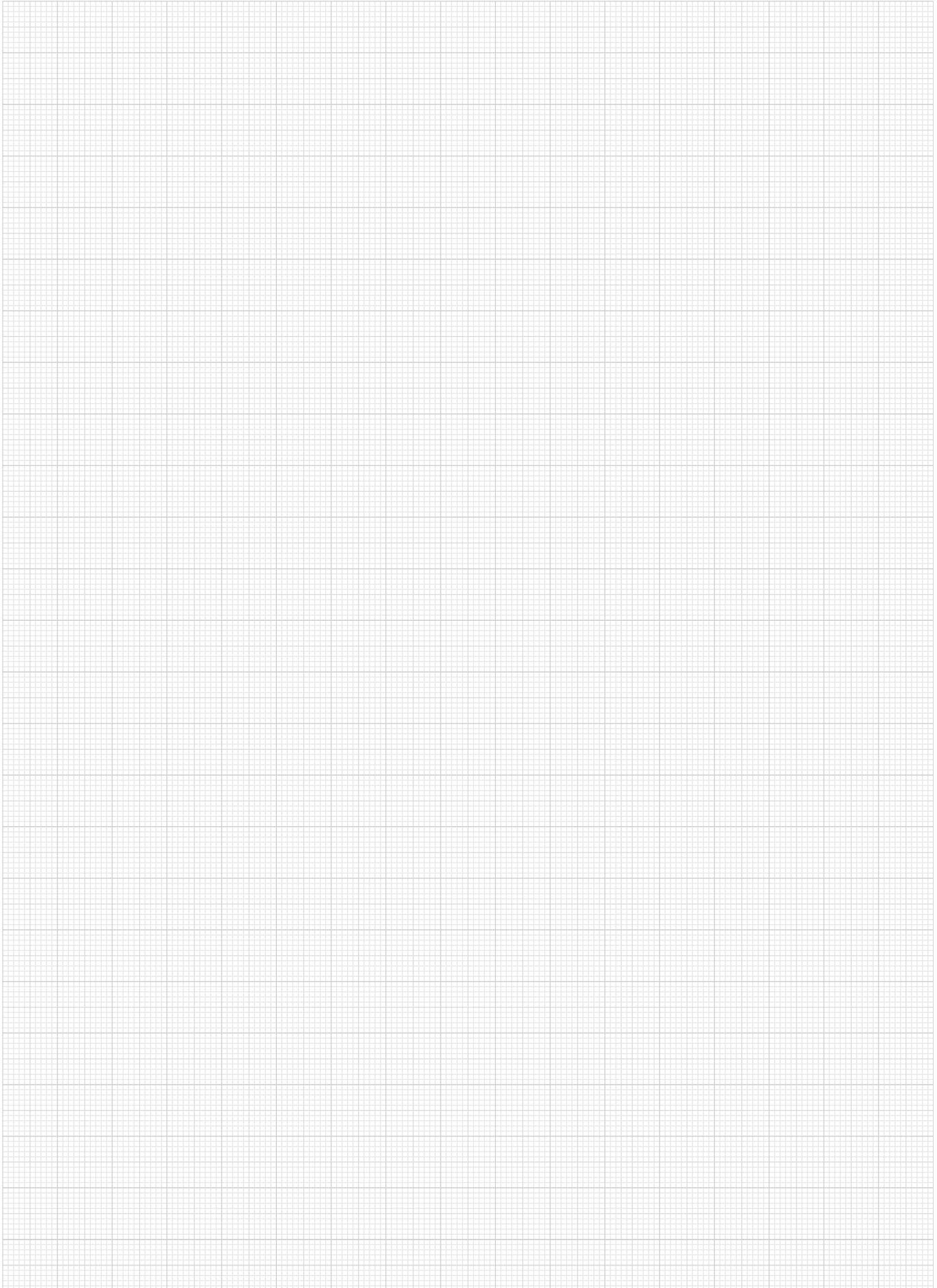
Telescopic slides, steel

for side mounting, full extension, load capacity up to 272 kg



Order No.	Form	Form definition	Assembly	Product type	Loading per pair kg	Packaging type
K1719.03051	B	right	side mounting	standard	272	packaged individually
K1719.03561	B	right	side mounting	standard	272	packaged individually
K1719.04061	B	right	side mounting	standard	272	packaged individually
K1719.04571	B	right	side mounting	standard	272	packaged individually
K1719.05081	B	right	side mounting	standard	272	packaged individually
K1719.05591	B	right	side mounting	standard	272	packaged individually
K1719.06101	B	right	side mounting	standard	267	packaged individually
K1719.06601	B	right	side mounting	standard	264	packaged individually
K1719.07111	B	right	side mounting	standard	261	packaged individually
K1719.07621	B	right	side mounting	standard	258	packaged individually
K1719.08131	B	right	side mounting	standard	256	packaged individually
K1719.08641	B	right	side mounting	standard	256	packaged individually
K1719.09141	B	right	side mounting	standard	248	packaged individually
K1719.10161	B	right	side mounting	standard	237	packaged individually
K1719.10671	B	right	side mounting	standard	228	packaged individually
K1719.12191	B	right	side mounting	standard	204	packaged individually
K1719.13721	B	right	side mounting	standard	196	packaged individually
K1719.15241	B	right	side mounting	standard	182	packaged individually

Order No.	A	A1	A2	A3	A4	A5	A6	A7	A8	A9	A10	A11	A12	A13	A14	A15	A16	B	H	Travel S	L
K1719.03051	12,7	-	-	-	203,2	260,4	279,4	-	-	-	-	-	-	-	153,9	179,3	198,4	19,1	76,2	304,8	304,8
K1719.03561	12,7	-	-	-	254	311,2	330,2	-	-	-	-	-	-	-	204,7	230,1	249,2	19,1	76,2	355,6	355,6
K1719.04061	12,7	-	-	-	304,8	362	381	-	-	-	-	-	-	-	255,5	280,9	300	19,1	76,2	406,4	406,4
K1719.04571	12,7	-	-	-	355,6	412,8	431,8	127	-	-	-	-	-	-	306,3	331,7	350,8	19,1	76,2	457,2	457,2
K1719.05081	12,7	-	-	-	406,4	463,6	482,6	127	-	-	-	-	-	296,6	357,1	382,5	401,6	19,1	76,2	508	508
K1719.05591	12,7	-	-	-	457,2	514,4	533,4	127	190,5	-	-	-	-	347,7	407,9	433,3	452,4	19,1	76,2	558,8	558,8
K1719.06101	12,7	-	-	-	508	565,2	584,2	127	190,5	-	-	-	-	398,5	458,7	484,1	503,2	19,1	76,2	609,6	609,6
K1719.06601	12,7	-	-	-	558,8	616	635	127	190,5	-	-	-	-	449,3	509,5	534,9	554	19,1	76,2	660,4	660,4
K1719.07111	12,7	-	-	-	609,6	666,8	685,8	127	190,5	-	-	-	-	500,1	560,3	585,7	604,8	19,1	76,2	711,2	711,2
K1719.07621	12,7	235	-	501,7	660,4	717,6	736,6	127	190,5	-	-	-	-	550,9	611,1	636,5	655,6	19,1	76,2	762	762
K1719.08131	12,7	235	-	552,5	711,2	768,4	787,4	127	190,5	-	-	-	-	601,7	661,9	687,3	706,4	19,1	76,2	812,8	812,8
K1719.08641	12,7	235	-	603,2	762	819,1	838,2	127	190,5	-	520,7	-	-	652,5	712,7	738,1	757,1	19,1	76,2	863,6	863,6
K1719.09141	12,7	235	-	654,1	812,8	869,9	889	127	190,5	368,3	520,7	-	-	703,3	763,5	788,9	807,9	19,1	76,2	914,4	914,4
K1719.10161	12,7	235	-	755,7	914,4	971,5	990,6	127	190,5	368,3	-	-	-	804,9	865,1	890,5	909,5	19,1	76,2	1016	1016
K1719.10671	12,7	235	-	806,5	965,2	1022,4	1041,4	127	190,5	368,3	-	-	-	855,7	915,9	941,3	960,4	19,1	76,2	1066,8	1066,8
K1719.12191	12,7	235	-	958,9	1117,6	1174,8	1193,8	127	190,5	368,3	520,7	825,5	-	1008,1	1068,3	1093,7	1112,8	19,1	76,2	1219,2	1219,2
K1719.13721	12,7	235	-	958,9	1270	1327,2	1346,2	127	190,5	368,3	520,7	825,5	-	1160,5	1220,8	1246,2	1265,2	19,1	76,2	1371,6	1371,6
K1719.15241	12,7	235	596,9	958,9	1422,4	1479,5	1498,6	127	190,5	368,3	520,7	825,5	1130,3	1312,9	1373,1	1398,5	1417,8	19,1	76,2	1524	1524



Telescopic slides, steel

for side mounting, full extension, load capacity up to 272 kg



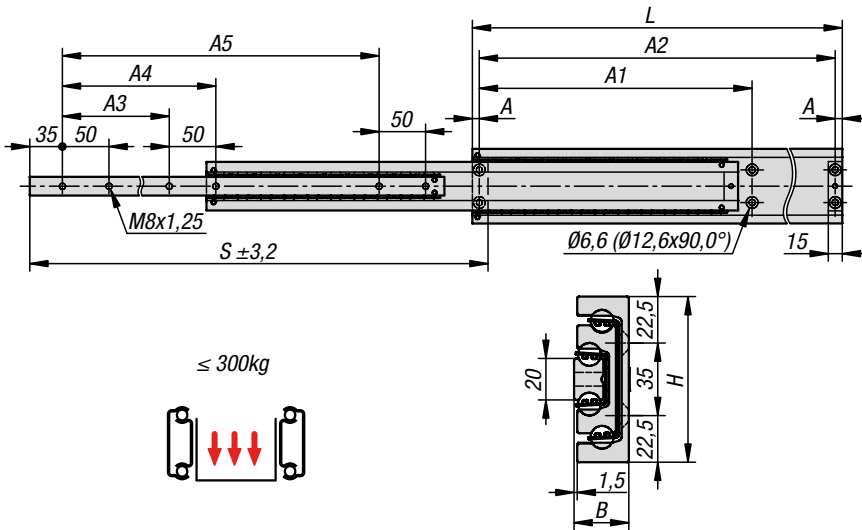
KIPP Steel telescopic slides for side mounting, full extension, load capacity up to 272 kg

Order No.	Assembly	Product type	Loading per pair kg	Packaging type
K1720.0254	side mounting	standard	272	packaged individually
K1720.0305	side mounting	standard	272	packaged individually
K1720.0356	side mounting	standard	272	packaged individually
K1720.0406	side mounting	standard	272	packaged individually
K1720.0457	side mounting	standard	272	packaged individually
K1720.0508	side mounting	standard	272	packaged individually
K1720.0559	side mounting	standard	272	packaged individually
K1720.0610	side mounting	standard	267	packaged individually
K1720.0660	side mounting	standard	264	packaged individually
K1720.0711	side mounting	standard	261	packaged individually
K1720.0762	side mounting	standard	258	packaged individually
K1720.0813	side mounting	standard	256	packaged individually
K1720.0864	side mounting	standard	253	packaged individually
K1720.0914	side mounting	standard	248	packaged individually
K1720.1016	side mounting	standard	237	packaged individually
K1720.1067	side mounting	standard	228	packaged individually
K1720.1118	side mounting	standard	218	packaged individually
K1720.1220	side mounting	standard	204	packaged individually
K1720.1372	side mounting	standard	196	packaged individually
K1720.1524	side mounting	standard	182	packaged individually

Order No.	A	A1	A2	A3	A4	A5	A6	A7	A8	A9	A10	A11	A12	A13	A14	A15	A16	B	H	Travel S	L	
K1720.0254	12,7	-	-	-	152,4	209,6	228,6	-	-	-	-	-	-	103,1	128,5	147,6	166,6	19,1	76,2	254	254	
K1720.0305	12,7	-	-	-	203,2	260,4	279,4	-	-	-	-	-	-	153,9	179,3	198,4	217,4	19,1	76,2	304,8	304,8	
K1720.0356	12,7	-	-	-	254	311,2	330,2	-	-	-	-	-	-	204,7	230,1	249,2	268,2	19,1	76,2	355,6	355,6	
K1720.0406	12,7	-	-	-	304,8	362	381	127	-	-	-	-	-	255,5	280,9	300	319	19,1	76,2	406,4	406,4	
K1720.0457	12,7	-	-	-	355,6	412,8	431,8	127	-	-	-	-	-	246,1	306,3	331,7	350,8	369,8	19,1	76,2	457,2	457,2
K1720.0508	12,7	-	-	-	406,4	463,6	482,6	127	190,5	-	-	-	-	296,9	357,1	382,5	401,6	420,6	19,1	76,2	508	508
K1720.0559	12,7	-	-	-	457,2	514,4	533,4	127	190,5	-	-	-	-	347,7	407,9	433,3	452,4	471,4	19,1	76,2	558,8	558,8
K1720.0610	12,7	-	-	-	508	565,2	584,2	127	190,5	-	-	-	-	398,5	458,7	484,1	503,2	522,2	19,1	76,2	609,6	609,6
K1720.0660	12,7	-	-	-	558,8	616	635	127	190,5	-	-	-	-	449,3	509,5	534,9	554	573	19,1	76,2	660,4	660,4
K1720.0711	12,7	-	-	-	609,6	666,8	685,8	127	190,5	-	-	-	-	500,1	560,3	585,7	604,8	623,8	19,1	76,2	711,2	711,2
K1720.0762	12,7	235	-	501,7	660,4	717,6	736,6	127	190,5	368,3	-	-	-	550,9	611,1	636,5	655,6	674,6	19,1	76,2	762	762
K1720.0813	12,7	235	393,7	552,5	711,2	768,4	787,4	127	190,5	368,3	-	-	-	601,7	661,9	687,3	706,4	725,4	19,1	76,2	812,8	812,8
K1720.0864	12,7	235	419,1	603,3	762	819,2	838,2	127	190,5	368,3	469,9	-	-	652,5	712,7	738,1	757,2	776,2	19,1	76,2	863,6	863,6
K1720.0914	12,7	235	444,5	654,1	812,8	870	889	127	190,5	368,3	520,7	-	-	703,3	763,5	788,9	808	827	19,1	76,2	914,4	914,4
K1720.1016	12,7	235	546,1	755,7	914,4	971,6	990,6	127	190,5	368,3	520,7	-	-	804,9	865,1	890,5	909,6	928,6	19,1	76,2	1016	1016
K1720.1067	12,7	235	546,1	806,5	965,2	1022,4	1041,4	127	190,5	368,3	520,7	-	-	855,7	915,9	941,3	960,4	979,4	19,1	76,2	1066,8	1066,8
K1720.1118	12,7	235	546,1	857,3	1016	1073,2	1092,2	127	190,5	368,3	520,7	-	-	906,5	966,7	992,1	1011,2	1030,2	19,1	76,2	1117,6	1117,6
K1720.1220	12,7	235	596,9	958,9	1117,6	1174,8	1193,8	127	190,5	368,3	520,7	825,5	1008,1	1068,3	1093,7	1112,8	1131,8	19,1	76,2	1219,2	1219,2	
K1720.1372	12,7	235	596,9	958,9	1270	1327,2	1346,2	127	190,5	368,3	520,7	825,5	1160,5	1220,8	1246,2	1265,2	1284,2	19,1	76,2	1371,6	1371,6	
K1720.1524	12,7	235	596,9	958,9	1422,4	1479,6	1498,6	127	190,5	368,3	520,7	825,5	1312,9	1373,1	1398,5	1417,6	1436,6	19,1	76,2	1524	1524	

Telescopic slides, aluminium

for side mounting, full extension, load capacity up to 300 kg



Material:

Rail aluminium.
Ball cage stainless steel 1.4301.
Balls stainless steel 1.4021.

Version:

Slides bright.
Ball cages bright.
Balls bright.

Sample order:

K1721.0350

Note for ordering:

Sold in pairs.

Note:

By telescopic slides with full extension, the travel is roughly equal to the installed length, which ensures greater comfort and accessibility. The dynamic load capacity of the telescopic slides indicates the maximum load rating of a vertically mounted slide pair when the entire extension length is used. The load capacity specified is calculated with a slide spacing of 600 mm and is based on the maximum value with 10,000 cycles.

Not suitable for horizontal mounting.

Re-lubrication with high pressure grease is recommended after 2,000 cycles.

The end plate has been tested with the specified load rating over 10 cycles and a speed of 0.8 m/s. External end plates are also recommended.

Temperature range:

-20°C to +110°C.

Telescopic slides, aluminium

for side mounting, full extension, load capacity up to 300 kg

KIPP Aluminium telescopic slides for side mounting, full extension, load capacity up to 300 kg

Order No.	Assembly	Product type	Loading per pair kg	Packaging type
K1721.0300	side mounting	standard	240	1 piece = 1 pair
K1721.0350	side mounting	standard	255	1 piece = 1 pair
K1721.0400	side mounting	standard	270	1 piece = 1 pair
K1721.0450	side mounting	standard	285	1 piece = 1 pair
K1721.0500	side mounting	standard	300	1 piece = 1 pair
K1721.0550	side mounting	standard	300	1 piece = 1 pair
K1721.0600	side mounting	standard	300	1 piece = 1 pair
K1721.0650	side mounting	standard	295	1 piece = 1 pair
K1721.0700	side mounting	standard	290	1 piece = 1 pair
K1721.0800	side mounting	standard	270	1 piece = 1 pair
K1721.0900	side mounting	standard	250	1 piece = 1 pair
K1721.1000	side mounting	standard	230	1 piece = 1 pair

Order No.	A	A1	A2	A3	A4	A5	B	H	Travel S	L
K1721.0300	7,5	142,5	285	75	125	150	26,5	80	300	300
K1721.0350	7,5	167,5	335	100	150	200	26,5	80	350	350
K1721.0400	7,5	192,5	385	125	175	250	26,5	80	400	400
K1721.0450	7,5	217,5	435	150	200	300	26,5	80	450	450
K1721.0500	7,5	242,5	485	175	225	350	26,5	80	500	500
K1721.0550	7,5	267,5	535	200	250	400	26,5	80	550	550
K1721.0600	7,5	292,5	585	225	275	450	26,5	80	600	600
K1721.0650	7,5	317,5	635	250	300	500	26,5	80	650	650
K1721.0700	7,5	342,5	685	275	325	550	26,5	80	700	700
K1721.0800	7,5	392,5	785	325	375	650	26,5	80	800	800
K1721.0900	7,5	442,5	885	375	425	750	26,5	80	900	900
K1721.1000	7,5	492,5	985	425	475	850	26,5	80	1000	1000