

Lateral spring plungers with seal, thrust pin POM, spring steel

Item description/product images



Description

Material:

Sleeve in aluminium; spring in steel; pressure pin in plastic

Version:

Sleeve blue electro zinc-plated.

Note:

Lateral spring plungers are for positioning, clamping, holding and securing workpieces and parts for engraving, labelling, drilling, reaming, tapping, honing, grinding, welding, soldering, assembling, mounting etc.

Suitable eccentric adjustment bush see K0369.

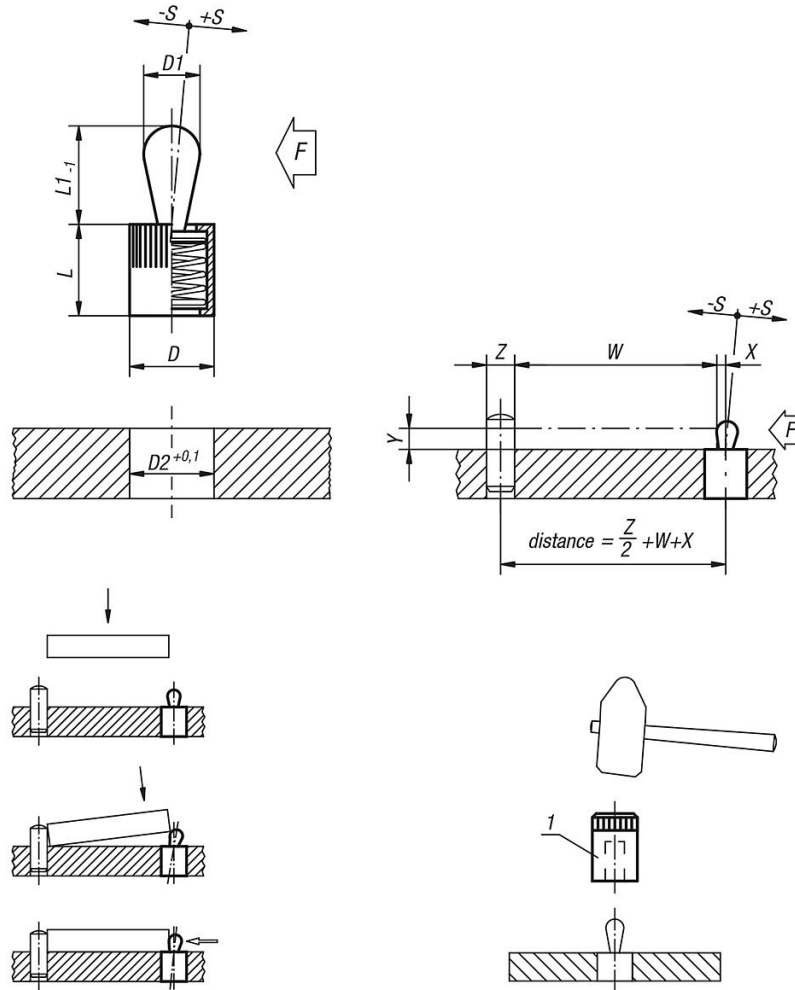
W and Z are customer specified.

Drawing reference:

1) assembly tool

Lateral spring plungers with seal, thrust pin POM, spring steel

Drawings



Overview of items

Order No.	D	D1	L	L1	D2	±S	F ca.N	X if Y = 1	X if Y = 2	X if Y = 3	X if Y = 4.5	X if Y = 6	X if Y = 8	Order No. assembly tool
K0368.72034	6	3	7	4	6	0,5	10	0,8	1	1	1	1	1	K0369.03
K0368.72054	10	5	12	6	10	0,8	20	-	1,5	1,7	1,7	1,7	1,7	K0369.05
K0368.72064	10	6	12	10	10	1	40	-	-	-	1,7	1,9	1,9	K0369.05
K0368.72084	12	8	14	13	12	1,3	50	-	-	-	-	2,5	2,7	K0369.08
K0368.72104	16	10	18	16	16	1,6	100	-	-	-	-	-	3,1	K0369.10