

# Spring plungers with hexagon socket and thrust pin, reinforced spring force

Item description/product images



## Description

### Material:

Sleeve steel grade 5.8.  
Thrust pin steel.  
Spring steel wire grade D.

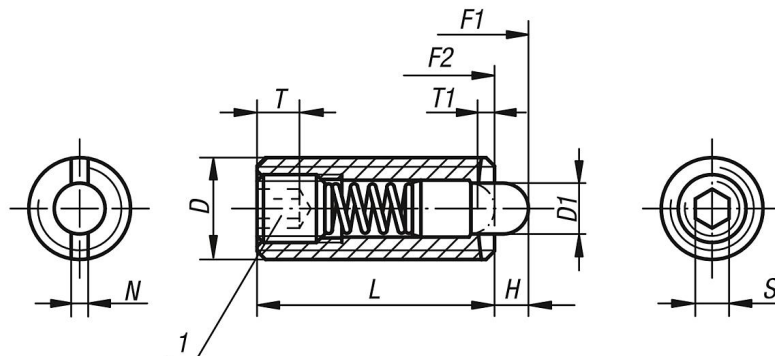
### Version:

Black oxidised.  
Thrust pin hardened.

### Drawing reference:

1) grub screw glued in

## Drawings



## Overview of items

### Spring plungers with hexagon socket and thrust pin, reinforced spring force

Order No.	D	D1	H	L	T	N	S	Spring force initial pressure F1 approx. N	Spring force final pressure F2 approx. N	Order No. Assembly key
K0317.205	M5	2,4	2,3	18	0,8	0,8	1,5	11	29	K0317.905
K0317.206	M6	2,7	2,5	20	1	1	2	14	37	K0317.906
K0317.208	M8	3,5	3	22	1,4	1,2	2,5	22	65	K0317.908
K0317.210	M10	4	3	22	1,4	1,6	3	19	70	K0317.910
K0317.212	M12	6	4	28	2	2	4	25	85	K0317.912
K0317.216	M16	7,5	5	32	2,5	2,5	5	60	150	K0317.916
K0317.220	M20	10	7	40	3	2,5	6	75	190	-
K0317.224	M24	12	10	52	3	2,5	8	95	240	-