

Spring plungers with hexagon socket and ball, standard spring force

Item description/product images



Description

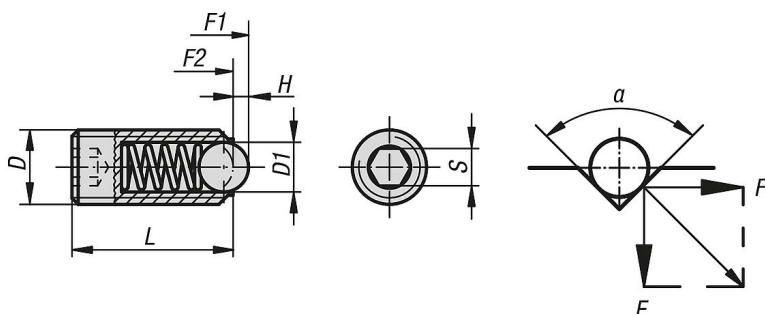
Material:

Sleeve steel grade 5.8.
Ball steel.
Spring grade D steel wire.

Version:

Black oxidised. Ball hardened.

Drawings



$\alpha = 60^\circ, F' = 1,732 \times F$
 $\alpha = 90^\circ, F' = F$
 $\alpha = 120^\circ, F' = 0,577 \times F$

Overview of items

Spring plungers with hexagon socket and ball, standard spring

Order No.	D	D1	H	L	S	Spring force initial pressure F1 approx. N	Spring force final pressure F2 approx. N
K0315.03	M3	1,5	0,4	9	1,5	1,5	3
K0315.04	M4	2,5	0,8	10	2	4	10
K0315.05	M5	3	0,9	14	2,5	6	11
K0315.06	M6	3,5	1	15	3	9	13
K0315.08	M8	5	1,5	18	4	15	30
K0315.10	M10	6	2	23	5	20	40
K0315.12	M12	8	2,5	26	6	30	55
K0315.16	M16	10	3,5	33	8	65	125
K0315.20	M20	12	4,5	43	10	80	160
K0315.24	M24	15	5,5	48	12	90	180