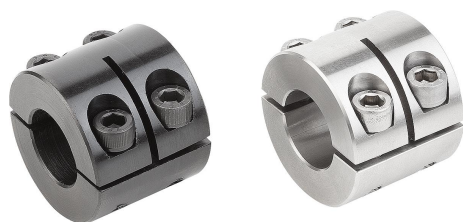


Shaft collars two-piece wide

Item description/product images



Description

Material:

Steel.
Stainless steel 1.4305.

Version:

Steel black oxidised.
Screw 12.9 steel.
Stainless steel bright.
Screw A2-70 stainless steel.

Note:

One-piece shaft collars surround the shaft with a uniformly distributed clamping force. This leads to a dimensionally precise fit and very high retaining forces without damaging the shaft.

The shaft tolerance should lie within h11.

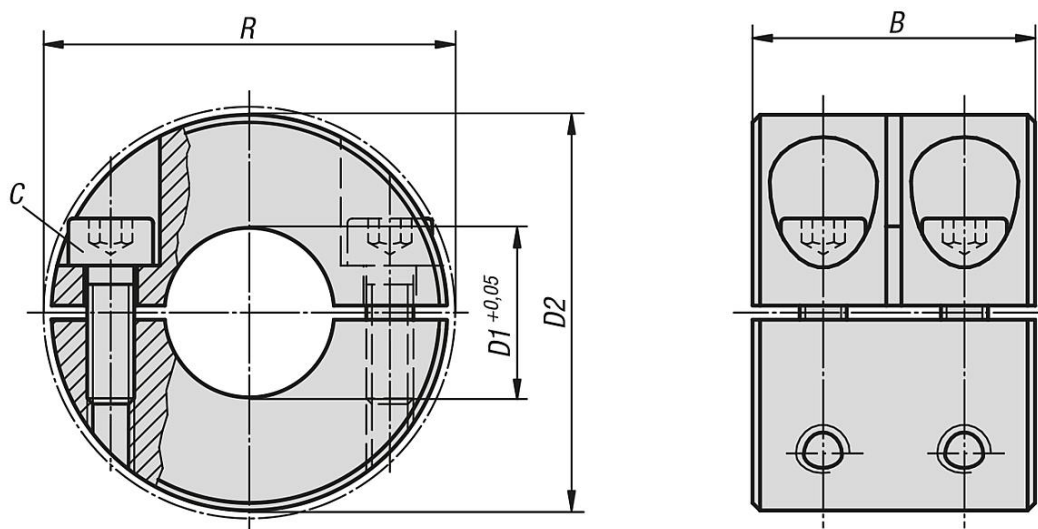
Temperature range:

-40 °C - +175 °C.

On request:

Other dimensions.

Drawings



Overview of items

Shaft collar two-piece, wide

Order No. steel	Order No. stainless steel	B	C (DIN 912)	D1	D2	R
K1925.00801	K1925.00802	20	M3x8	8	18	22,4
K1925.01001	K1925.01002	20	M3x10	10	24	26
K1925.01201	K1925.01202	24	M4x12	12	28	31,8
K1925.01601	K1925.01602	29	M5x16	16	34	39,4

Shaft collars two-piece wide

Overview of items

Order No. steel	Order No. stainless steel	B	C (DIN 912)	D1	D2	R
K1925.02001	K1925.02002	33	M6x18	20	40	46,4
K1925.02501	K1925.02502	33	M6x18	25	45	50,8
K1925.03001	K1925.03002	33	M6x18	30	54	58,6
K1925.04001	K1925.04002	33	M6x18	40	60	65
K1925.05001	K1925.05002	41	M8x25	50	78	87