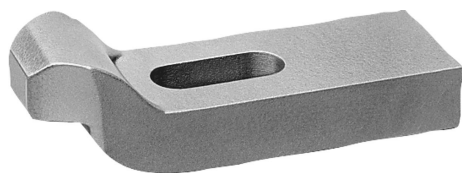


Clamp straps gooseneck DIN 6316 wide, steel or aluminium

Item description/product images



Description

Material:

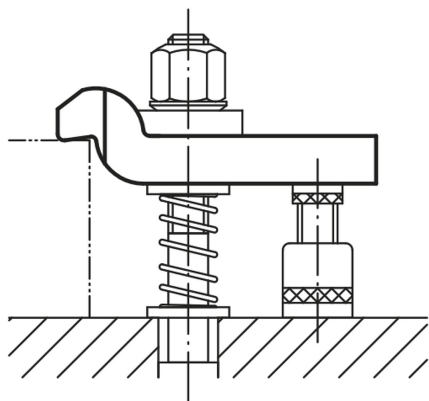
Carbon steel or EN AW-7022.

Version:

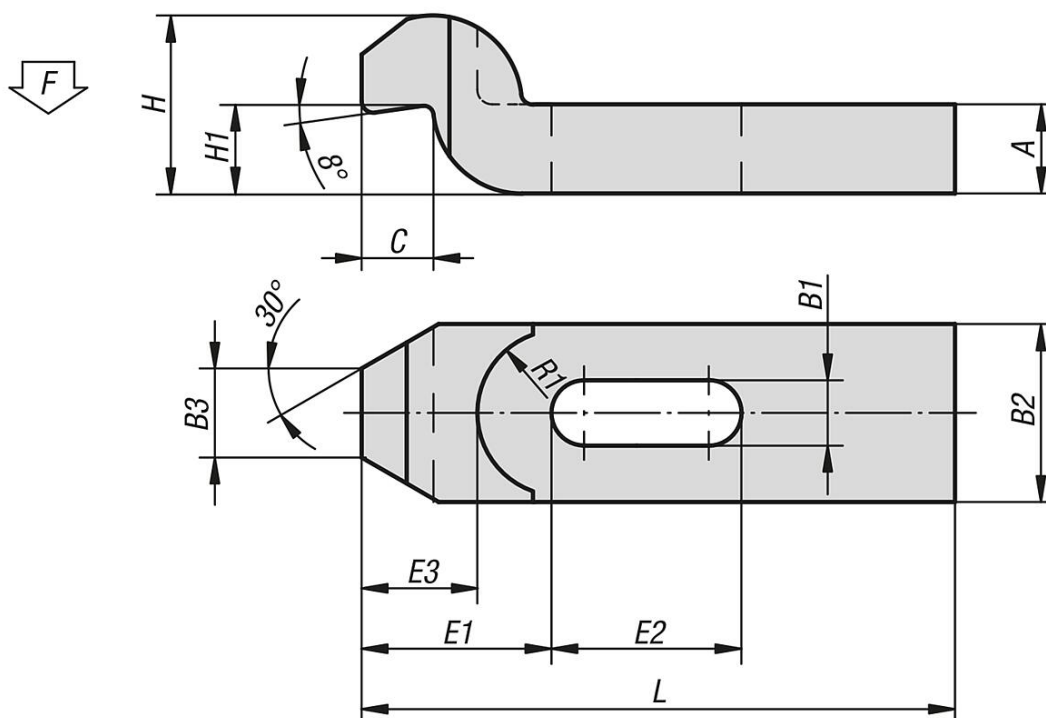
Steel painted.
Aluminium bright.

Note:

When using spherical washers use the wide series K0729 Form G.



Drawings



Overview of items

Goose-neck clamp straps DIN 6316, steel or aluminium

Order No. high carbon steel	Order No. aluminium	L	B1	B2	B3	H max.	H1	A	C	E1	E2	E3	R1	F kN	for screw
K1951.06	K1951.206	60	7	20	10	20	9	10	8	20	20	14	11	4,82	M6
K1951.08	K1951.208	80	9	25	12	24	11	12	9	25	25	17	14	8,77	M8
K1951.10	K1951.210	100	11	30	15	30	14	15	12	32	32	22	18	13,9	M10

Clamp straps gooseneck DIN 6316 wide, steel or aluminium

Overview of items

Order No. high carbon steel	Order No. aluminium	L	B1	B2	B3	H max.	H1	A	C	E1	E2	E3	R1	F kN	for screw
K1951.12	K1951.212	125	14	40	20	40	18	20	16	40	40	28	20	20,2	M12/M14
K1951.16	K1951.216	125	18	50	25	46	23	25	20	49	40	38	25	37,8	M16/M18
K1951.161	K1951.2161	160	18	50	25	46	23	25	20	49	50	38	25	37,8	M16/M18
K1951.20	K1951.220	160	22	60	30	60	28	30	24	55	55	40	28	58,8	M20/M22
K1951.201	K1951.2201	200	22	60	30	60	28	30	24	55	70	40	28	58,8	M20/M22
K1951.24	K1951.224	200	26	70	35	70	32	35	28	72	60	54	34	84,7	M24
K1951.241	K1951.2241	250	26	70	35	70	32	35	28	72	80	54	34	84,7	M24
K1951.30	K1951.230	250	34	80	40	80	37	40	40	91	80	72	40	135	M30/M32
K1951.301	K1951.2301	315	34	80	40	100	56	50	40	91	100	72	40	135	M30/M32