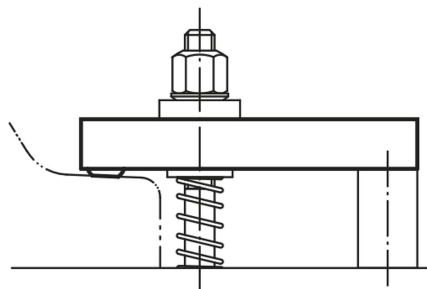


Clamp straps with flattened ball

Item description/product images



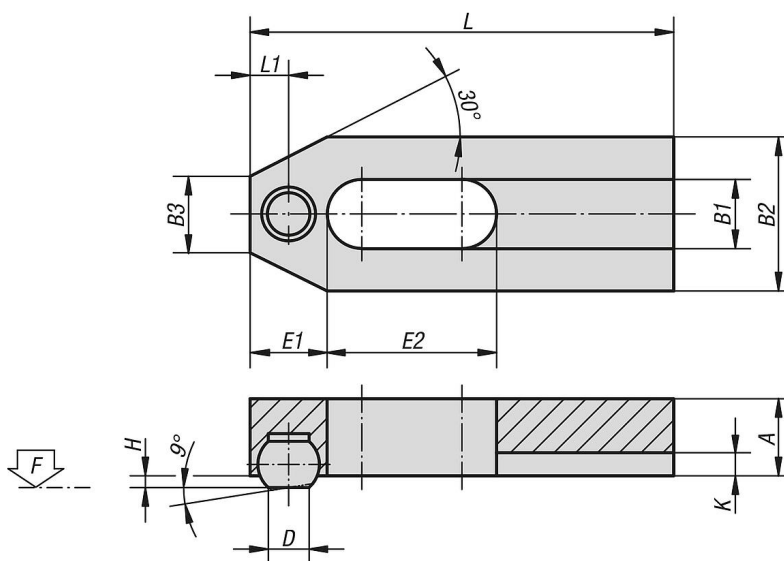
Description

Material:
Straps carbon steel.
Balls roller bearing steel.

Version:
Strap black oxidised.
Ball hardened, bright.

Note:
When using spherical washers K0729 use Form G.
Ball secured against rotation.

Drawings



Overview of items

Clamp straps with flattened ball

Order No.	L	L1	A	B1	B2	B3	D	H	K	Ball Ø	E1	E2	F kN	for screw
K1949.06	50	5	10	7	20	8	5,5	1,6	2,5	8,5	10	20	4,82	M6
K1949.08	60	6,5	12	9	25	10	7,2	2	3	10	13	22	8,77	M8
K1949.10	80	7,5	15	11	30	12	8,6	2,7	3,5	12	15	30	13,9	M10
K1949.12	125	10,5	20	13	40	14	10,5	3,5	4	16	21	50	20,2	M12

