

Receiver bushes for ball lifting pins, stainless steel

Item description/product images



Description

Material:

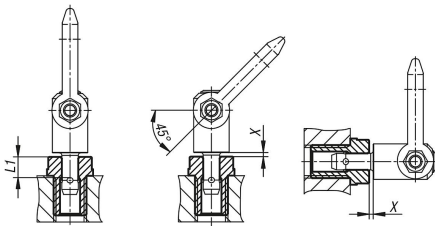
Stainless steel 1.4542.

Version:

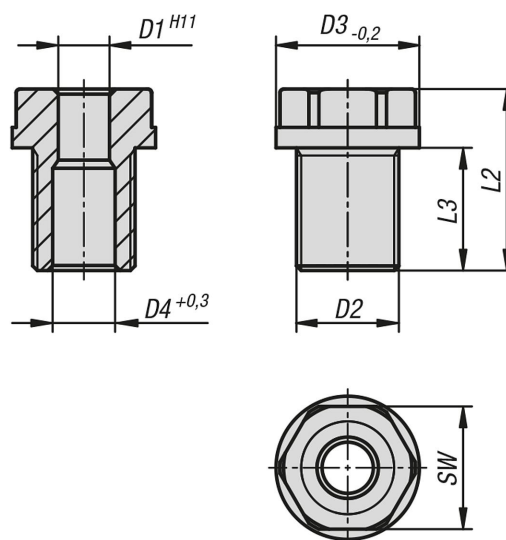
Hardened.

Note:

The locating bushes enable secure and quick locating possibilities for lifting pins. They offer easy and reliable installation in a variety of carrier materials. Can also be used in thin-walled materials and blind holes. They are corrosion-resistant with low wear.



Drawings



Receiver bushes for ball lifting pins, stainless steel

Overview of items

Receiver bushes for ball lifting pins, stainless steel

Order No.	D1	D2	D3	D4	L1	L2	L3	X	SW	Tightening torque Nm
K1922.0810	8	M16x1,5	24	9,8	10	27,5	20	1,5	19	90
K1922.0815	8	M16x1,5	24	9,8	15	27,5	20	1,5	19	90
K1922.0825	8	M16	24	9,8	25	37,5	25	1,5	19	75
K1922.0835	8	M16	24	9,8	35	47,5	35	1,5	19	75
K1922.1015	10	M20x1,5	28	12,2	15	35,5	24	1,5	24	145
K1922.1025	10	M20x1,5	28	12,2	25	35,5	24	1,5	24	145
K1922.1035	10	M20	28	12,2	35	46	29	1,5	24	130
K1922.1050	10	M20	28	12,2	50	65	49	1,5	24	130
K1922.1215	12	M24x1,5	32	14,7	15	35,5	24	1,5	27	220
K1922.1225	12	M24x1,5	32	14,7	25	36,5	24	1,5	27	220
K1922.1235	12	M24	32	14,7	35	48,5	36	1,5	27	200
K1922.1250	12	M24	32	14,7	50	72,5	60	1,5	27	200
K1922.1625	16	M30x2	39	19,2	25	44	29	1,5	30	440
K1922.1650	16	M30	39	19,2	50	66	44	1,5	30	400
K1922.1675	16	M30	39	19,2	75	96	74	1,5	30	400
K1922.2050	20	M36x2	43	26	50	70	55	1,5	36	440
K1922.2075	20	M36x2	43	26	75	95	80	1,5	36	440