

Ball-end thrust screws without head short version

Item description/product images



Description

Material:

Screw carbon steel, ball ball-bearing steel.

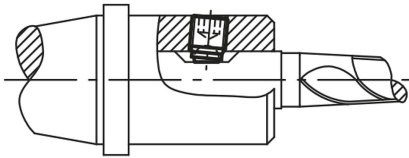
Version:

Screw grade 12.9, black oxidised.

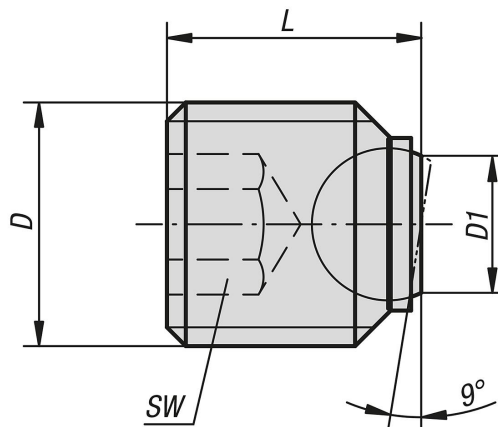
Ball hardened, bright.

Note:

Short ball-end thrust screws are particularly suited to DIN 1835 E straight milling cutter shanks together with e.g. Whistle Notch or Weldon tool holders.



Drawings



Overview of items

Ball-end thrust screws without head, short version

Order No.	D	D1	L	Ball-Ø	SW	Load rating max. kN (static load only)
K1913.1416	M14	7,2	16	8,5	6	30
K1913.1616	M16	7,2	16	8,5	8	30
K1913.1820	M18X2	10,7	20	12	10	60
K1913.2020	M20X2	10,7	20	12	10	60
K1913.2025	M20X2	10,7	25	12	10	60
K1913.2425	M24x2	13,5	25	15	12	90

