

Slot key profile type I

Item description/product images



Description

Material:

Steel.

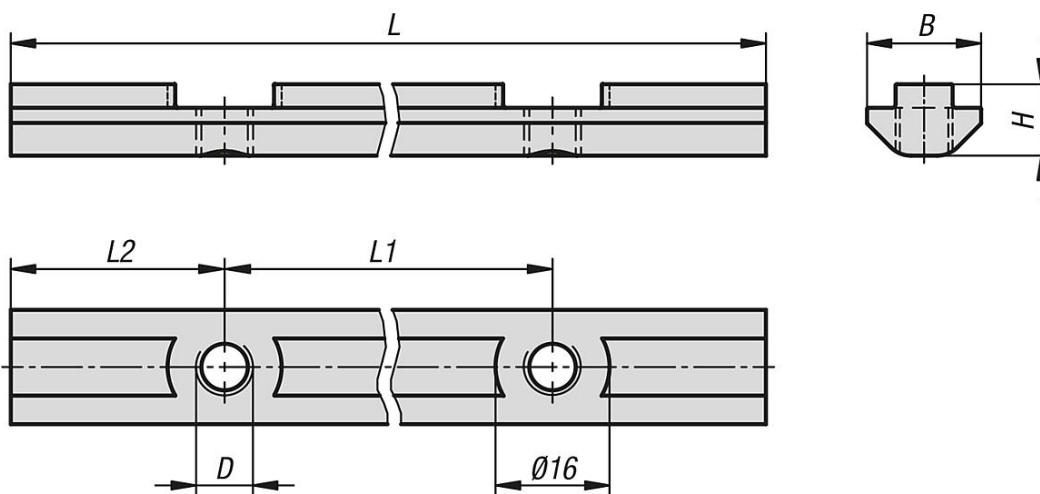
Version:

Coated.

Note:

The slot profiles has a tapped hole pitch of 40 mm or 60 mm.

Drawings



Overview of items

Slot key profile type I

Order No.	Slot width	B	D	H	L	L1	L2	No. of holes
K1912.084008X1000	8	16	M8	9,5	1000	40	20	25
K1912.086008X1000	8	16	M8	9,5	1000	60	30	17

