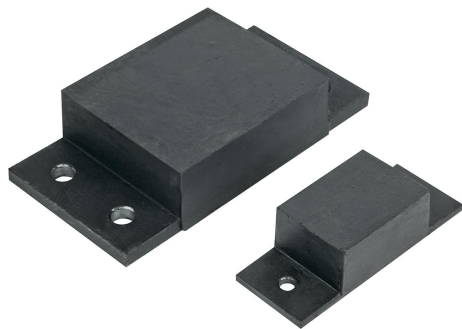


Rubber impact buffer rails steel

Item description/product images



Description

Material:

Steel.

Elastomer, natural rubber, medium hardness, Shore 57A.

Version:

Steel, painted black.

(K1932.02501904557, K1932.05003507057 and K1932.10004512057 electro zinc-plated).

Note:

For absorbing large impact forces and supporting heavy weights.

The specified load data applies to static permanent loads with a rubber Shore hardness of 57A.

Due to the material composition, rubber buffers are contact-colouring, which can lead to abrasion marks and discolouration on e.g. floors or contact surfaces.

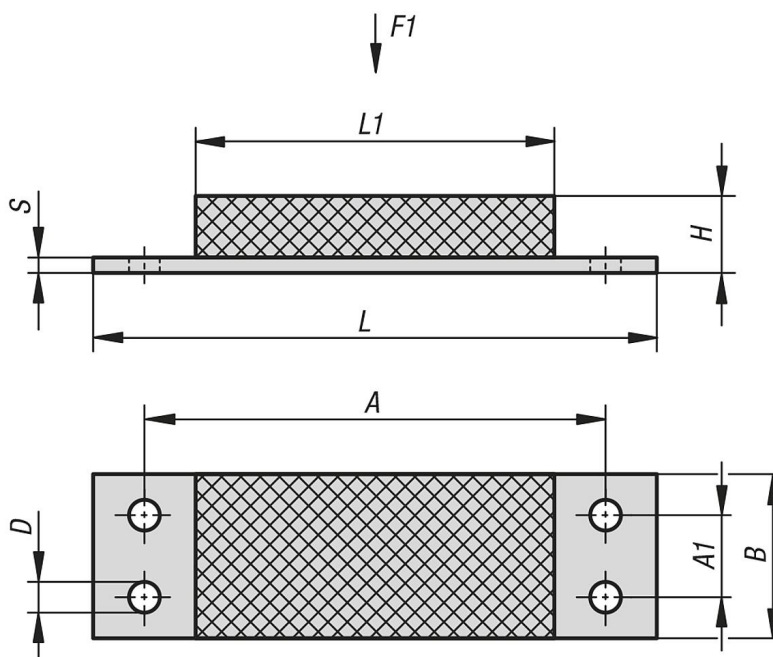
Rubber buffers made of light grey EPDM that are not contact-colouring are available on request.

* Metal parts 30 mm wide.

Temperature range:

-30 °C to +80 °C

Drawings



Overview of items

Rubber-metal impact buffer rails

Rubber impact buffer rails steel

Overview of items

Order No.	A	A1	B	D	H	L	L1	S	F1 N
K1932.02501904557	68,6	-	25*	6,5	19	84	45	3	500
K1932.05003507057	100	-	50	8,5	35	130	70	5	3100
K1932.05007007057	100	-	50	8,5	70	130	70	5	2500
K1932.10004512057	160	50	100	13	45	200	120	10	14000
K1932.10008012057	160	50	100	13	80	200	120	10	8500
K1932.12004515057	200	60	120	15	45	250	150	10	18000
K1932.15005020057	250	80	150	17	50	300	200	15	34000