

Magnetic sensors passive sensors, miniature design

Item description/product images



Description

Material:

Housing aluminium.
Cable sheath PVC.

Version:

Compact sensor and plug design.
Flat connector, 8-pole, 1x pin.
Connection cable, 6-wire, \varnothing 3.55–0.3 mm.
Cable bend radius, > 17 mm (static).

Note:

Works with magnetic tapes K1663.
The reading distance between the sensor and tape must be 0.1 to 2 mm.
The sensor is supplied with operating voltage and draws current via the electronics.
System accuracy, repeat accuracy and travel speed is dependent on the electronics.
Plug-in connection to position indicators K1905 and K1906 .

Technical data:

- Rating IP 67; EN 60529 (sensor head)
- Shock resistance 2000 m/s², 11 ms; EN 60068-2-27
- Vibration resistance 200 m/s², 50 Hz–2 kHz; EN 60068-2-6

Temperature range:

- Ambient temperature 0...60°C
- Storage temperature -10...70°C

Assembly:

Installation must be carried out using the enclosed user information.
A, reading distance sensor/tape \leq 2 mm
B, lateral offset \pm 2 mm
C, misalignment \pm 3°
D, pitch gradient \pm 1°
E, lateral gradient \pm 3°

Accessory:

Position indicators K1905 and K1906.
Magnetic tapes K1663.

Note:

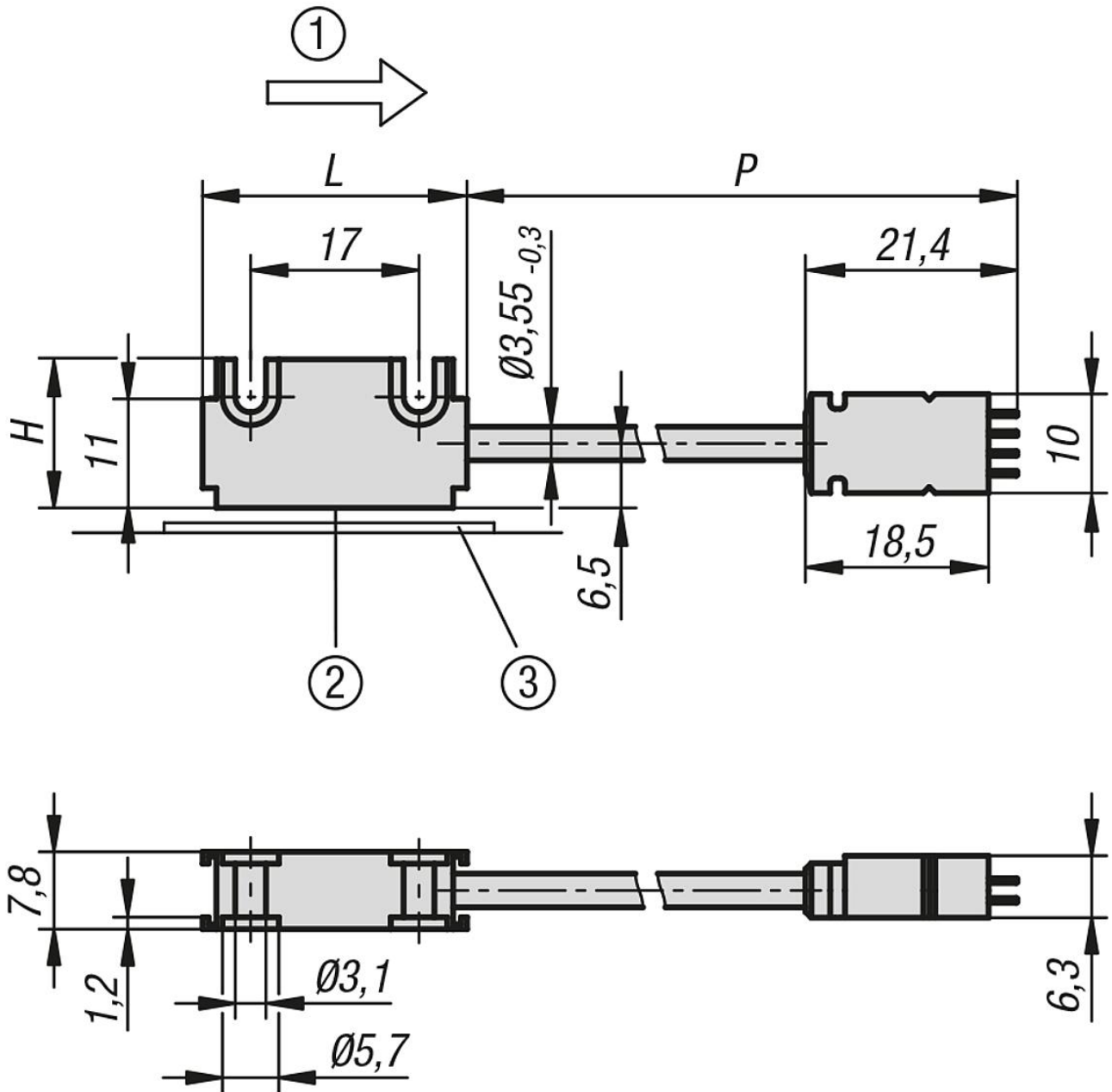
Relative humidity 100%. Dewing is permissible (sensor head).

Drawing reference:

- 1) Sine before cosine
- 2) Active measuring surface
- 3) Magnetic tape

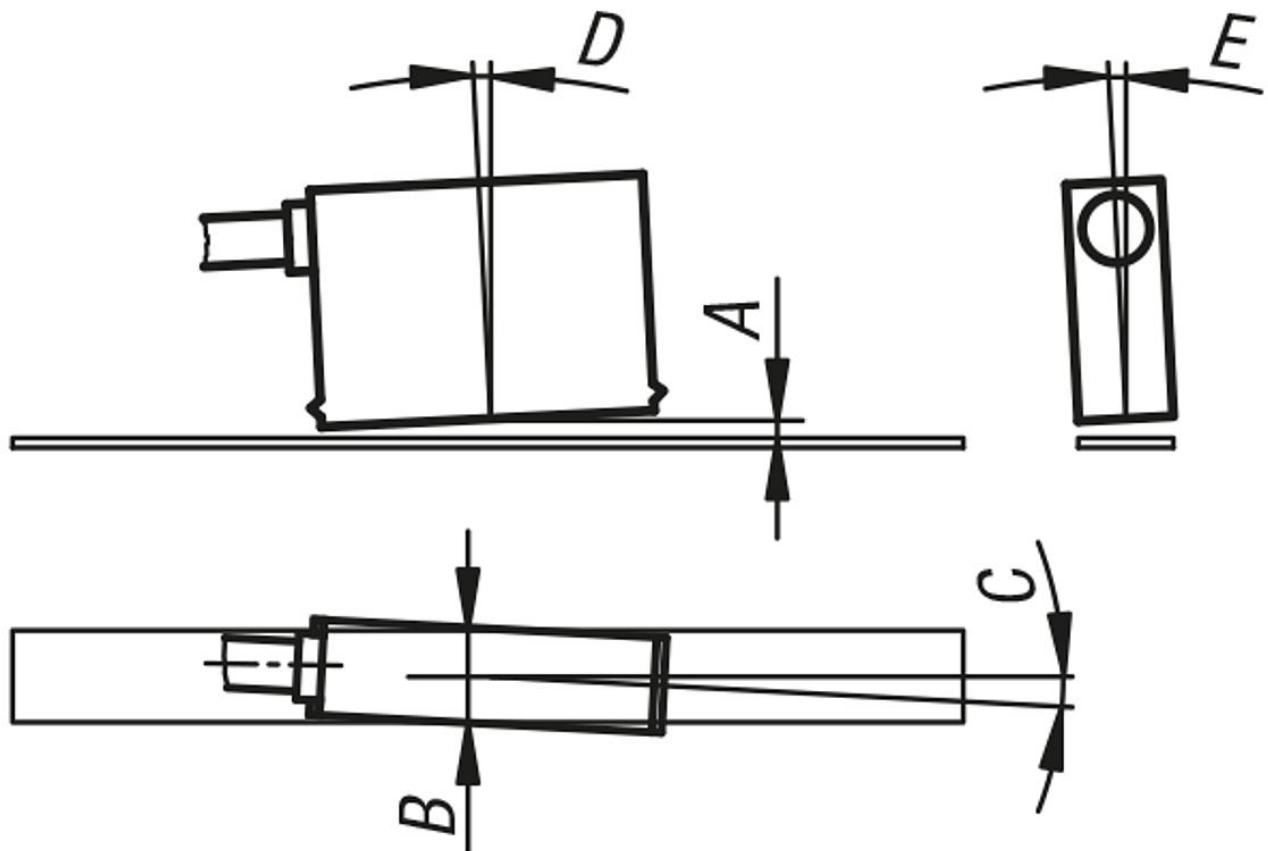
Magnetic sensors passive sensors, miniature design

Drawings



Magnetic sensors passive sensors, miniature design

Drawings



Overview of items

Magnetic sensors, passive sensors, miniature design

Order No.	P	L	H
K1959.00200	200	26,7	15
K1959.00500	500	26,7	15
K1959.01000	1000	26,7	15
K1959.02000	2000	26,7	15
K1959.05000	5000	26,7	15
K1959.10000	10000	26,7	15