

## Clamp straps mini double sided

### Item description/product images

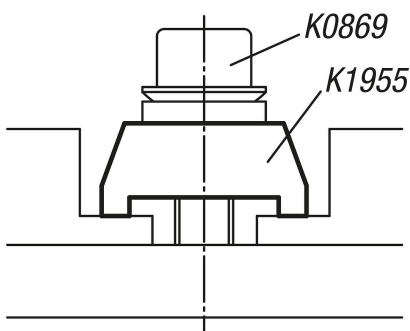


### Description

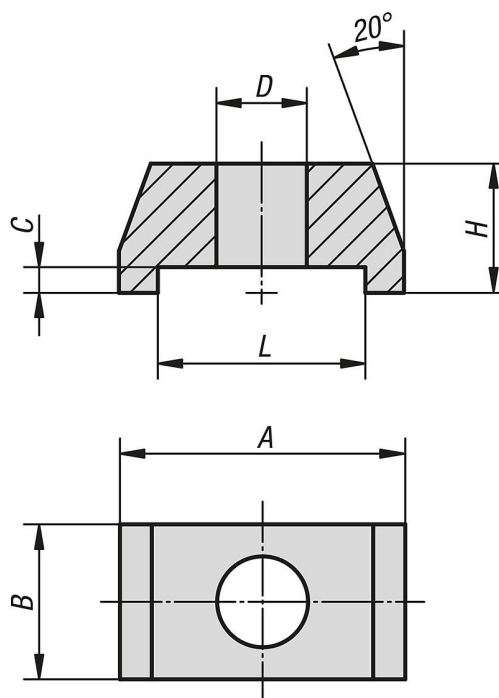
**Material:**  
Steel.

**Version:**  
Black oxidised.

**Note:**  
Two workpieces can be clamped simultaneously from one clamping point using the mini clamp strap.



### Drawings



### Overview of items

## Clamp straps mini double sided

### Overview of items

---

#### Clamp straps mini , double sided

Order No.	A	B	C	D	H	L	Clamping force kN
K1955.006	22	12	2	7	10	16	4,82
K1955.008	22	12	2	9	10	16	8,77
K1955.010	35	19	3	11	15	24	13,9
K1955.012	35	19	3	13	15	24	20,2
K1955.016	50	29	5	17	25	36	37,8