

## Screw rest with flat face, stainless steel

### Item description/product images



### Description

**Material:**

Stainless steel 1.4305.

**Version:**

Self-locking trapezoidal thread, spindle has end lock.

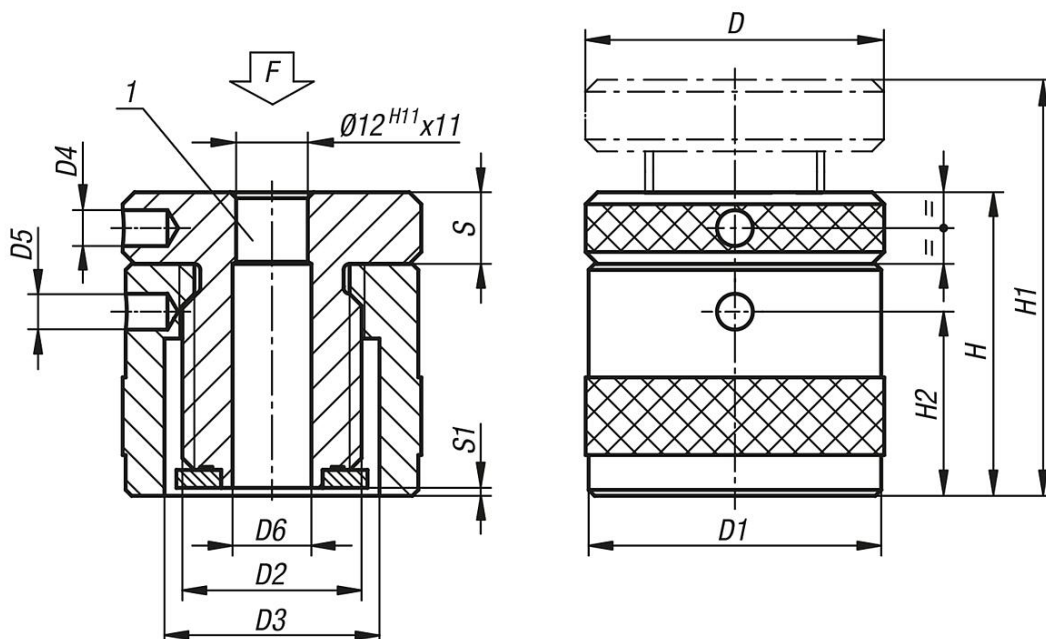
**Note:**

The through hole allows easy clamping and positioning of the workpiece.

**Drawing reference:**

1) centring hole for K1961

### Drawings



### Overview of items

## Screw rest with flat face, stainless steel

### Overview of items

---

#### Screw jack with flat face, stainless steel

| Order No. | D  | D1 | D2      | D3 | D4 | D5 | D6 | H  | H1  | H2 | S  | S1  | F<br>max. kN |
|-----------|----|----|---------|----|----|----|----|----|-----|----|----|-----|--------------|
| K1942.015 | 50 | 49 | Tr 30X4 | 36 | 6  | 6  | 13 | 42 | 52  | 24 | 12 | 2   | 50           |
| K1942.02  | 50 | 49 | Tr 30X4 | 36 | 6  | 6  | 13 | 50 | 72  | 30 | 12 | 0,5 | 50           |
| K1942.03  | 50 | 49 | Tr 30X4 | 36 | 6  | 6  | 13 | 71 | 102 | 43 | 16 | 1,5 | 50           |