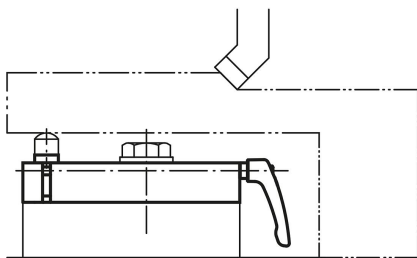
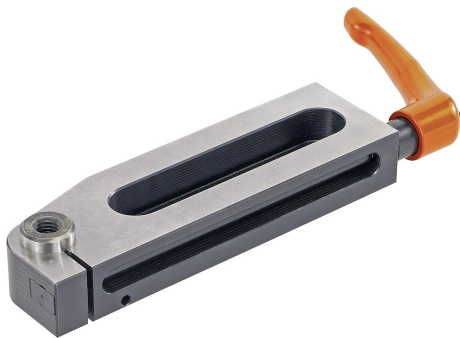


Workpiece supports

Item description/product images



Description

Material:
Steel.

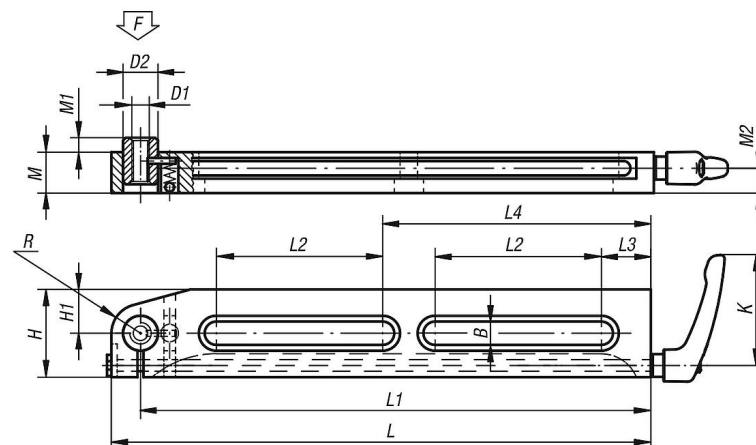
Version:
Case-hardened, black oxidised and ground.

Note:

These supports are placed under long or thin workpieces to prevent vibration or bending during milling, drilling, grinding or shaping operations. The support can be accurately placed without the need to reach under the workpiece. The support pin contacts the workpiece under light pressure. It can be tightened in any position. Various types of pins can be screwed into the tapped hole in the thrust pin to adapt the support height.

The supports K1947.075, K1947.150 and K1947.170 have only 1 slot.

Drawings



Overview of items

Compensating Spanner

| Order No. | K | L | L1 | L2 | L3 | L4 | B | H | H1 | D1 | D2 | M | M1 | M2 | R | F N |
|------------------|-----|-----|-----|-----|----|-----|-----|----|----|-----|----|------|----|------|----|--------|
| K1947.75 | 65 | 85 | 75 | 35 | 13 | - | 8,5 | 30 | 10 | M8 | 13 | 19,5 | 3 | 11,5 | - | 500 |
| K1947.150 | 80 | 165 | 150 | 90 | 20 | - | 13 | 50 | 25 | M10 | 20 | 24 | 6 | 14 | 15 | 2500 |
| K1947.170 | 110 | 190 | 170 | 100 | 25 | - | 17 | 60 | 20 | M16 | 26 | 34 | 11 | 21,5 | - | 5000 |
| K1947.300 | 80 | 315 | 300 | 100 | 30 | 160 | 13 | 50 | 25 | M10 | 20 | 24 | 6 | 14 | 15 | 2500 |

