

## Disc handwheels, aluminium with revolving cylindrical grip, Form C with reamed hole and keyway

Item description/product images



### Description

#### Material:

Handwheel aluminium.  
Cylinder grip and hub cover black thermoplastic.  
Cylinder grip pin black oxidised steel.  
ISO 4027 grub screw, steel grade 45 H, black.

#### Version:

Black or silver powder-coated.

#### Note:

Wheel rim radial and axial run-out  $\leq 0.4$  mm.

#### Assembly:

The hub cover and the revolving cylinder grip are supplied unassembled. To assemble, screw the grip into the tapped hole.  
The handwheels can be secured to a shaft using a transverse pin or by parallel key connection together with a DIN 6912 cap screw and a handwheel washer K0173.  
By the versions with transverse bore, fixation is carried out using an ISO 4027 grub screw.

#### Supplied with:

Aluminium handwheel.  
Hub cover.  
Revolving cylinder grip.  
ISO 4027 grub screw (type with transverse bore).

#### Accessory:

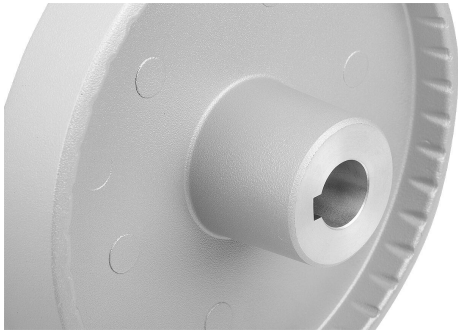
K0173 Handwheel washers.  
K1160 Socket head screws with low head DIN 6912.

#### Drawing reference:

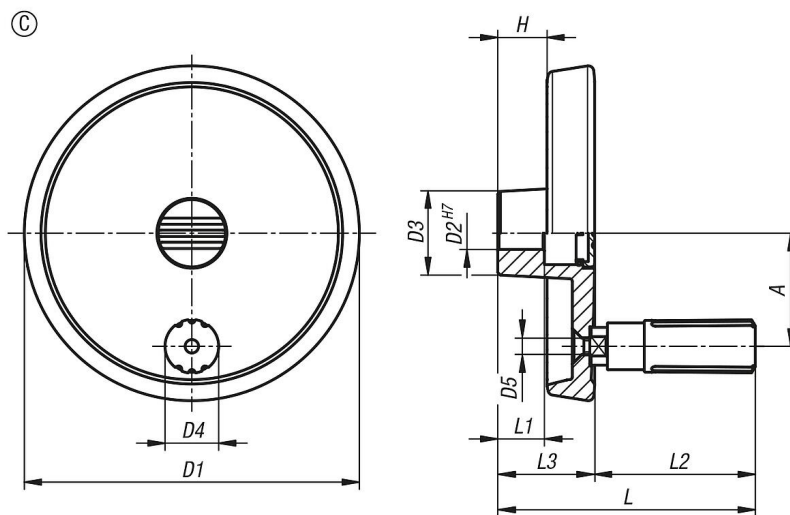
1) Position of the transverse bore to the keyway is offset by  $90^\circ$ .

**Disc handwheels, aluminium with revolving cylindrical grip, Form C with reamed hole and keyway**

Item description/product images

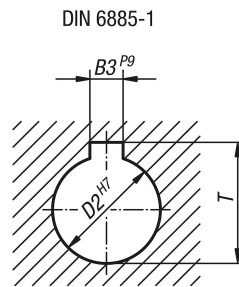


**Drawings**



## Disc handwheels, aluminium with revolving cylindrical grip, Form C with reamed hole and keyway

Drawings



### Overview of items

Order No.	Main colour	Form	Form definition	A	D1	D2	D3	D4	L1	L3	H	B3	T	L	L2	D5
K1521.08010103	black	C	reamed hole with slot	27	80	10	26	13,9	16	29	16,6	3	11,4	68	39	M4
K1521.08012104	black	C	reamed hole with slot	27	80	12	26	13,9	16	29	16,6	4	13,8	68	39	M4
K1521.10010103	black	C	reamed hole with slot	33	100	10	28	16	17	33	17,5	3	11,4	81	48	M5
K1521.10012104	black	C	reamed hole with slot	33	100	12	28	16	17	33	17,5	4	13,8	81	48	M5
K1521.12512104	black	C	reamed hole with slot	42	125	12	31	19,9	18	36	18,3	4	13,8	96	60	M6
K1521.12514105	black	C	reamed hole with slot	42	125	14	31	19,9	18	36	18,3	5	16,3	96	60	M6
K1521.08010203	silver	C	reamed hole with slot	27	80	10	26	13,9	16	29	16,6	3	11,4	68	39	M4
K1521.08012204	silver	C	reamed hole with slot	27	80	12	26	13,9	16	29	16,6	4	13,8	68	39	M4
K1521.10010203	silver	C	reamed hole with slot	33	100	10	28	16	17	33	17,5	3	11,4	81	48	M5
K1521.10012204	silver	C	reamed hole with slot	33	100	12	28	16	17	33	17,5	4	13,8	81	48	M5
K1521.12512204	silver	C	reamed hole with slot	42	125	12	31	19,9	18	36	18,3	4	13,8	96	60	M6
K1521.12514205	silver	C	reamed hole with slot	42	125	14	31	19,9	18	36	18,3	5	16,3	96	60	M6