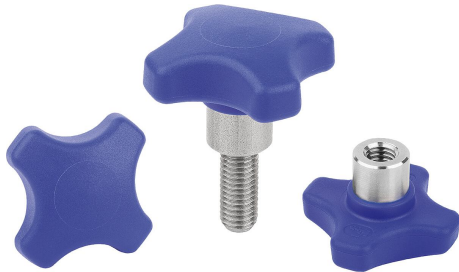


Palm grips, plastic, OPTICALLY detectable with protruding steel bush

Item description/product images

VD



Description

Product description:

The visually detectable operating parts are made from a EU10/2011 and FDA conform blue coloured plastic granulate.

The colour ensures an optically discernible contrast between the operating parts and other media and materials. This means that in sensitive production sectors, e.g. foodstuff processing, plastic fragments of visually detectable operating parts can be identified and the risk of production downtimes or complaints are significantly reduced.

Material:

Thermoplastic (fibreglass reinforced polyamide), visually detectable, EU10/2011 and FDA conform.

Steel parts stainless steel 1.4404.

Version:

Thermoplastic ultra marine RAL 5002.

Steel parts bright stainless steel.

Note:

Palm grips with projecting steel bush and female thread are highly suitable for cross pinning.

Application:

- Foodstuff industry
- Pharmaceutical industry
- Packaging industry

Temperature range:

-20°C to +100°C.

Advantages:

visually detectable.

Ultra marine RAL 5002.

Foodstuff conform material.

On request:

Special versions.

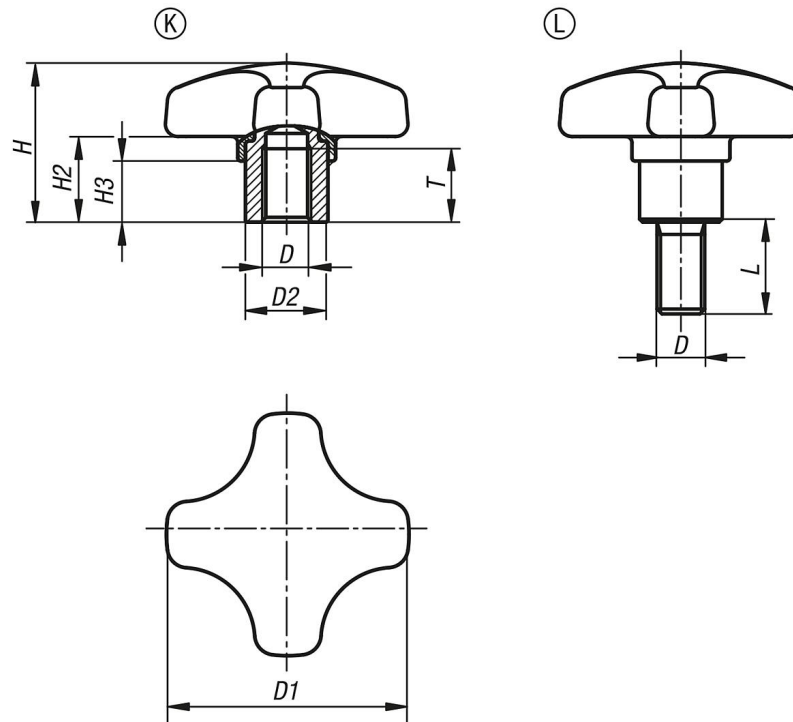
Drawing reference:

Form K: tapped bush

Form L: external thread

Palm grips, plastic, OPTICALLY detectable with protruding steel bush

Drawings



Overview of items

Palm grips, plastic, OPTICALLY detectable with protruding steel bush

Order No.	Form	Main colour	D	D1	D2	H	H2	H3	L	T	Approval / Certification
K1794.1325053172	K	ultramarine RAL 5002	M5	25	10	18	9	7	-	9	FDA + EU10/2011
K1794.1332063172	K	ultramarine RAL 5002	M6	32	13,5	22	12	9,5	-	12	FDA + EU10/2011
K1794.1340063172	K	ultramarine RAL 5002	M6	40	13,5	26	14	10	-	12	FDA + EU10/2011
K1794.1340083172	K	ultramarine RAL 5002	M8	40	13,5	26	14	10	-	12	FDA + EU10/2011
K1794.1350083172	K	ultramarine RAL 5002	M8	50	19	32	18	12	-	17	FDA + EU10/2011
K1794.1350103172	K	ultramarine RAL 5002	M10	50	19	32	18	12	-	17	FDA + EU10/2011
K1794.1325053172X10	L	ultramarine RAL 5002	M5	25	10	18	9	7	10	-	FDA + EU10/2011
K1794.1325053172X15	L	ultramarine RAL 5002	M5	25	10	18	9	7	15	-	FDA + EU10/2011
K1794.1325053172X20	L	ultramarine RAL 5002	M5	25	10	18	9	7	20	-	FDA + EU10/2011
K1794.1332063172X10	L	ultramarine RAL 5002	M6	32	13,5	22	12	9,5	10	-	FDA + EU10/2011
K1794.1332063172X15	L	ultramarine RAL 5002	M6	32	13,5	22	12	9,5	15	-	FDA + EU10/2011
K1794.1332063172X20	L	ultramarine RAL 5002	M6	32	13,5	22	12	9,5	20	-	FDA + EU10/2011
K1794.1332063172X25	L	ultramarine RAL 5002	M6	32	13,5	22	12	9,5	25	-	FDA + EU10/2011
K1794.1332063172X30	L	ultramarine RAL 5002	M6	32	13,5	22	12	9,5	30	-	FDA + EU10/2011
K1794.1340083172X15	L	ultramarine RAL 5002	M8	40	13,5	26	14	10	15	-	FDA + EU10/2011
K1794.1340083172X20	L	ultramarine RAL 5002	M8	40	13,5	26	14	10	20	-	FDA + EU10/2011
K1794.1340083172X25	L	ultramarine RAL 5002	M8	40	13,5	26	14	10	25	-	FDA + EU10/2011
K1794.1340083172X30	L	ultramarine RAL 5002	M8	40	13,5	26	14	10	30	-	FDA + EU10/2011
K1794.1340083172X40	L	ultramarine RAL 5002	M8	40	13,5	26	14	10	40	-	FDA + EU10/2011
K1794.1340083172X50	L	ultramarine RAL 5002	M8	40	13,5	26	14	10	50	-	FDA + EU10/2011
K1794.1350103172X20	L	ultramarine RAL 5002	M10	50	19	32	18	12	20	-	FDA + EU10/2011
K1794.1350103172X25	L	ultramarine RAL 5002	M10	50	19	32	18	12	25	-	FDA + EU10/2011
K1794.1350103172X30	L	ultramarine RAL 5002	M10	50	19	32	18	12	30	-	FDA + EU10/2011
K1794.1350103172X40	L	ultramarine RAL 5002	M10	50	19	32	18	12	40	-	FDA + EU10/2011
K1794.1350103172X50	L	ultramarine RAL 5002	M10	50	19	32	18	12	50	-	FDA + EU10/2011
K1794.1350103172X60	L	ultramarine RAL 5002	M10	50	19	32	18	12	60	-	FDA + EU10/2011

