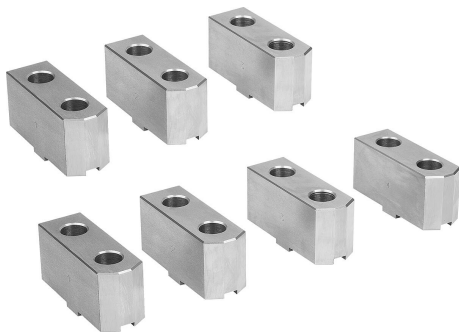


Jaw plate, steel, soft for stationary chuck

Item description/product images



Description

Product description:

Sets comprising 3 or 4 jaws

Soft jaws can be flexibly machined to generate custom contours and diameters.

Material:

Steel.

Version:

soft.

Note:

The jaw set comprising 3 jaws are only suitable for the stationary 3-jaw chuck K1836. The jaw set comprising 4 jaws are only suitable for the stationary 4-jaw chuck K1837.

Advantages:

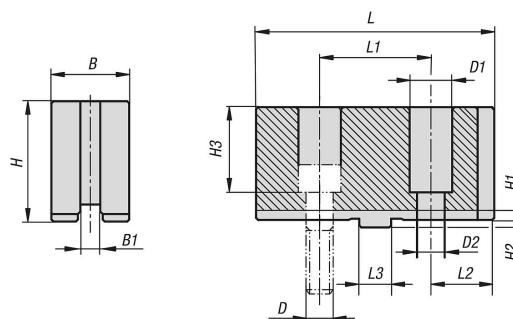
The soft jaws can be machined for internal or external gripping and are reversible.

Accessory:

K1836 Stationary 3-jaw chuck.

K1837 Stationary 4-jaw chuck.

Drawings



Overview of items

Jaws, steel, soft, for stationary chuck

Order No.	Packaging unit	B	B1	H	H1	H2	H3	L	L1	L2	L3	D	D1	D2	Accessories
K1838.2203	3	26	7,94	37	3,5	3	25	73	38,1	17,45	12,68	M8	14	9	K1836.220
K1838.2703	3	31	7,94	48	3,8	3	34	95	44,4	25,3	12,68	M10	17	11	K1836.270
K1838.3153	3	37	12,7	48	4,2	3	34	110	54	28	19,03	M12	19	13	K1836.315
K1838.3703	3	42	12,7	54	4,2	3	38	125	63,5	30,75	19,03	M12	19	13	K1836.370
K1838.2154	4	26	7,94	37	3,5	3	25	73	38,1	17,45	12,68	M8	14	9	K1837.215
K1838.2504	4	31	7,94	48	3,8	3	34	95	44,4	25,3	12,68	M10	17	11	K1837.250
K1838.3104	4	37	12,7	48	4,2	3	34	110	54	28	19,03	M12	19	13	K1837.310
K1838.3804	4	42	12,7	54	4,2	3	38	125	63,5	30,75	19,03	M12	19	13	K1837.380

