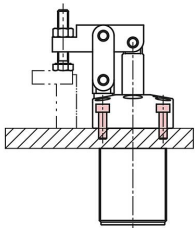


## Link clamp pneumatic screw-on with flange

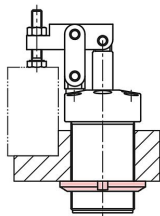
### Item description/product images



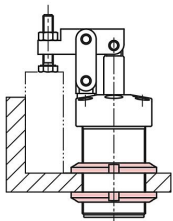
Installation examples:



With cap screws from above through the flange.



The housing is screwed into a tapped hole and secured with a slotted round nut.



With a slotted round nut from above and a slotted round nut from below.

### Description

#### Material:

Body aluminium.  
Piston steel.

#### Version:

Body black anodised.  
Piston hard chrome-plated

#### Note:

Screw-in pneumatic link clamps with flange find use where low clamping forces suffice and where the clamping point has to be cleared to enable placing or removing the workpiece. The design enables space saving installation. The screw-in bolt can be used to adjust the height of the swing clamp. The clamp is suitable for a sunken mounting in a fixture.

Due to the double-acting function of the clamp, pressure is used to move the piston downwards and upwards.

Link clamps can be used to clamp workpieces with low profiles.

The link clamp must not be constrained in its link action. F1 = at 7 bar max. permitted operating pressure.

In comparison to swing clamps, link clamps of the same size can generate higher clamping forces because of the link mechanism.

The screw-in link clamp with flange can be fastened from above or below using a DIN 70852 slotted round nut. Another option is to fasten the link clamp to the fixture from above using four cap screws.

The position of the clamping arm can be individually adapted.

The swing clamp must only be operated using lubricated air.

The fastening holes in the flange have the same dimensions as those in the threaded flange K1820.

Slotted round nuts are not supplied.

#### Accessory:

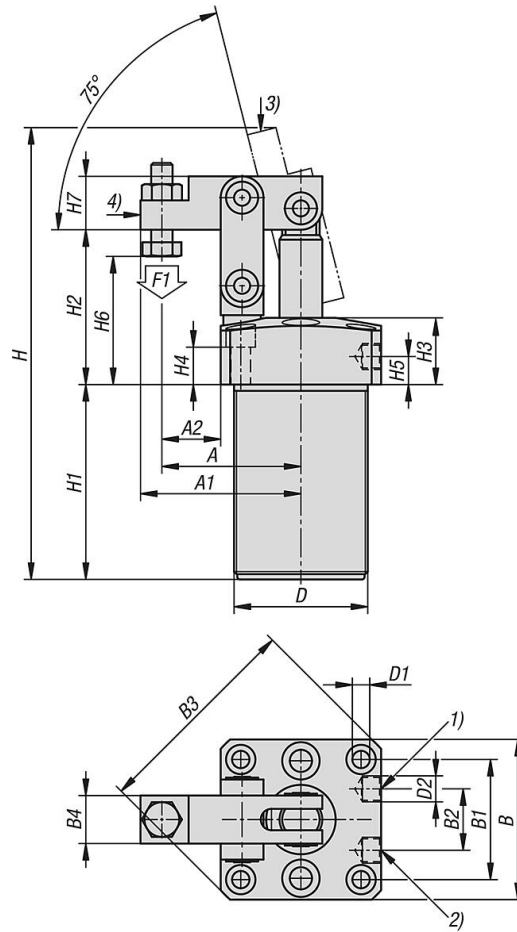
DIN 70852 slotted round nut.  
Threaded flange K1820.

#### Drawing reference:

- 1) Clamp
- 2) Release
- 3) Relaxed
- 4) Tensioned

## Link clamp pneumatic screw-on with flange

### Drawings



### Overview of items

#### Link clamp pneumatic screw-on with flange

Order No.	Size	A	A1	A2	B	B1	B2	B3	B4	D	D1	D2	H	H1	H2	H3	H4	H5	H6	H7	F1 N
K1819.25	25	41	48	16	50	37	23	66	16	M40X1,5	5,5	M5	144	62	51	25	15	12	37-47	17	230
K1819.32	32	52	60	22	60	45	23	80	18	M50X1,5	6,5	G1/8	170	73	57	25	13	10,5	50-56	20	370
K1819.40	40	56	66	23,5	65	50	26	87	20	M55X1,5	6,8	G1/8	17	73	60	25	13	10,5	50-54,5	25	560
K1819.50	50	63,5	77,5	26	75	58	32	100	22	M65X1,5	8,5	G1/8	200	79	65	25	11	10,5	47-57	30	760
K1819.63	63	74	88	29,5	89	70	35	118	22	M80X1,5	8,5	G1/8	211	80	71,5	25	11	9	54-64	30	1350