

## Hook clamp with mounting bracket with extended clamping claw

### Item description/product images

---



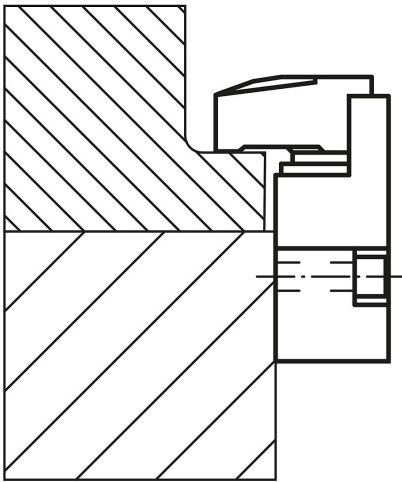
### Description

**Material:**

Hook clamps and clamping screw carbon steel, tempered.

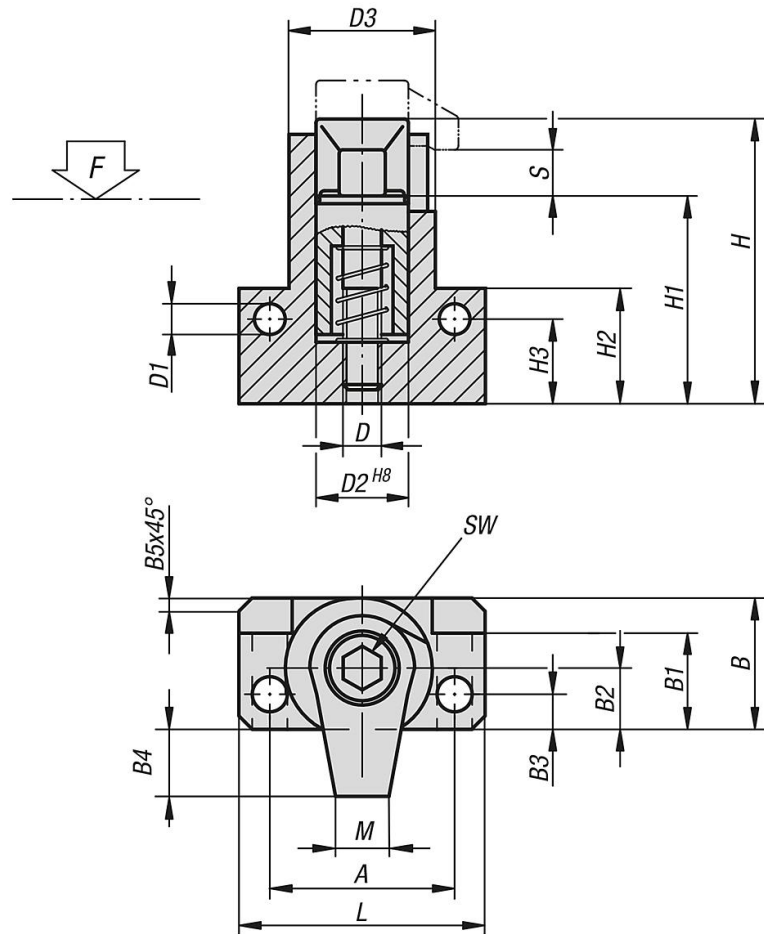
**Version:**

Black oxidised.



# Hook clamp with mounting bracket with extended clamping claw

## Drawings



## Overview of items

### Hook clamp with extended clamping claw, with mounting bracket

Order No.	D	D1	D2	D3	A	B	B1	B2	B3	B4	B5	H	H1	H2	H3	L	M	S	SW	Tightening torque max. Nm	F max. kN
K0016.0618	M6	6,4	16	28	38	26	19,5	12	6	18	2,5	54,5	44	25	18	50	9	4	5	7,5	4,5
K0016.0826	M8	8,4	20	34	48	31	22,5	14	7,5	26	3	65	53	30	21	64	12	5	6	15	6,5
K0016.1033	M10	10,5	24	40	55	36,5	26	16,5	9	33,5	3,5	77,5	61	35	24	75	18	5	8	30	11,8