

Wheels thermoset heat-resistant

Item description/product images



Description

Material:
Thermoset PF.

Version:
Hardness Shore 90D, black.
Notch impact strength ca. 2.5 kJ/m².

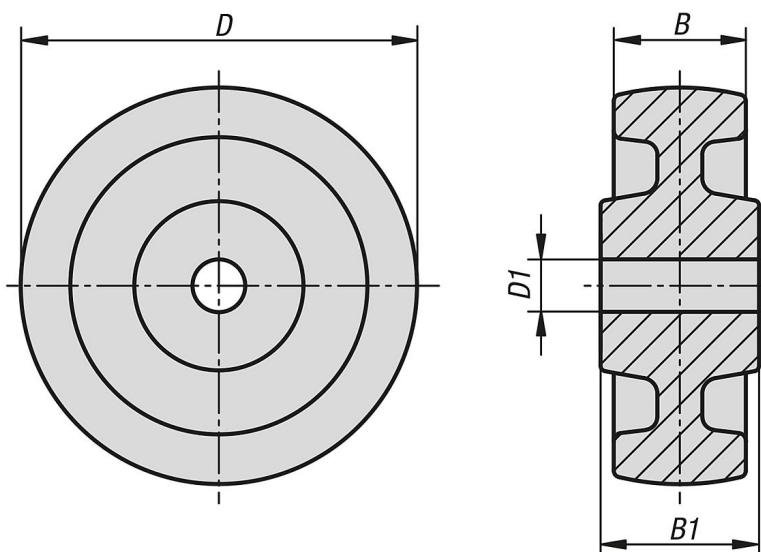
Note:
Thermoset wheels for high-heat sectors, with exceptional running characteristics on smooth floors.

Excellent chemical resistance to many aggressive types of media. Typical uses are in hot plants, paint shops, bakers and smoking ovens.

Higher abrasion is unavoidable on rough floors. Running against curbs or bumps should be avoided due to the limited mechanical durability of phenolic resin.

Temperature range:
-35°C to +260°C, short-term up to +300°C.

Drawings



Overview of items

Wheels thermoset, heat-resistant

| Order No. | Wheel bearing | D | D1 | B | B1 | Permissible load kg |
|-------------|---------------|-----|------|----|----|---------------------|
| K1785.07528 | plain bearing | 75 | 8,4 | 28 | 31 | 100 |
| K1785.10030 | plain bearing | 100 | 15,2 | 30 | 40 | 150 |
| K1785.10038 | plain bearing | 100 | 15,2 | 38 | 42 | 200 |
| K1785.12546 | plain bearing | 125 | 20,2 | 46 | 58 | 275 |
| K1785.15050 | plain bearing | 150 | 20,2 | 50 | 58 | 300 |

Wheels thermoset heat-resistant

Overview of items

| Order No. | Wheel bearing | D | D1 | B | B1 | Permissible load kg |
|-------------|---------------|-----|------|----|----|---------------------|
| K1785.20050 | plain bearing | 200 | 20,2 | 50 | 60 | 350 |
| K1785.25050 | plain bearing | 250 | 20,2 | 50 | 58 | 350 |