

Swivel and fixed castors steel plate, electrically conductive, heavy-duty version

Item description/product images



Description

Material:

Housing steel plate.

Wheels with thermoplastic rubber tread.

Wheel body polypropylene.

Version:

Housing press formed.

Double ball bearing in the castor head.

Plain bearing in wheels.

Note:

Wheel axle threaded. Swivel and fixed castors with mounting plate. Electrically conductive wheels, non-marking grey. The ohmic resistance of the wheel is less than $10^4\Omega$.

Application:

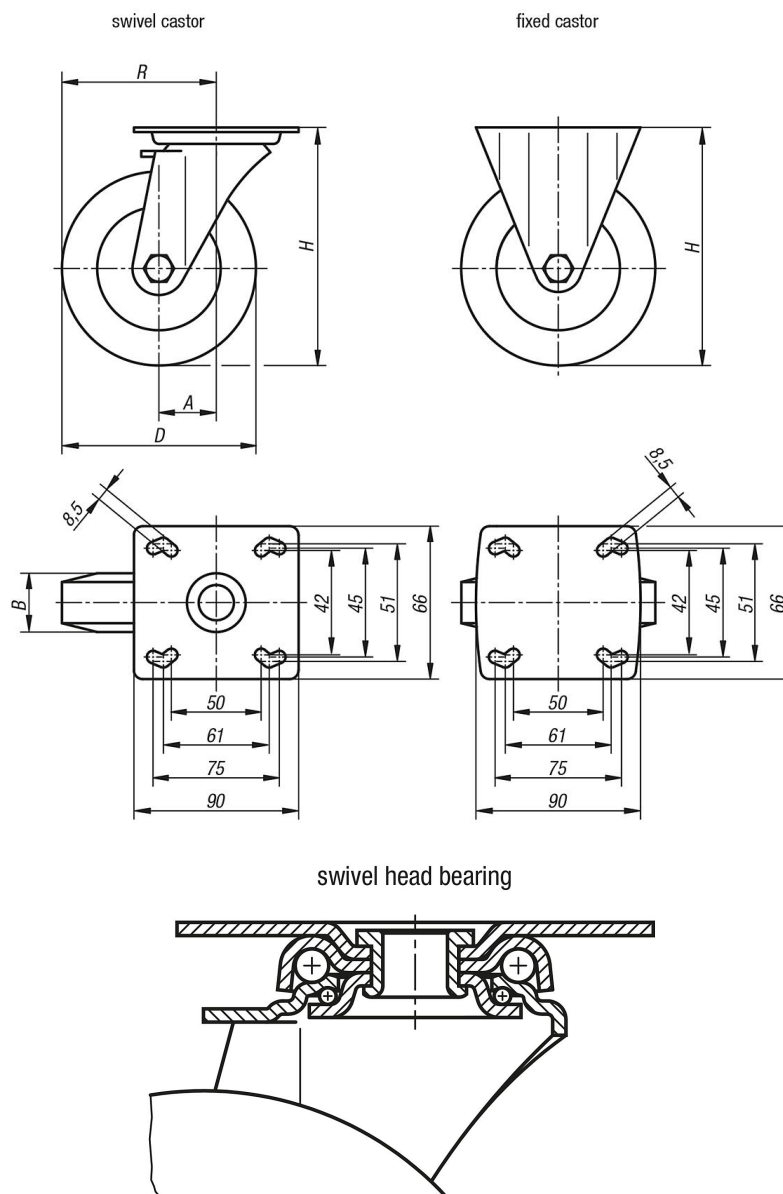
Electrically conductive wheels on swivel and fixed castors are used to protect against electrostatic discharge generated by transport equipment or the transported goods. Damage to sensitive goods and painful electrostatic shocks to the personal is so prevented.

Temperature range:

-20 °C to +60 °C.

Swivel and fixed castors steel plate, electrically conductive, heavy-duty version

Drawings



Overview of items

Swivel and fixed castors steel plate, electrically conductive, heavy-duty version

Order No.	Item	Wheel bearing	A	D	B	H	R	Permissible load kg
K1760.11080321	Fixed castor	plain bearing	-	80	32	111	-	65
K1760.11100321	Fixed castor	plain bearing	-	100	32	136	-	70
K1760.11125321	Fixed castor	plain bearing	-	125	32	161	-	80
K1760.1108032	Swivel castor	plain bearing	40	80	32	111	80	65
K1760.1110032	Swivel castor	plain bearing	40	100	32	136	90	70
K1760.1112532	Swivel castor	plain bearing	40	125	32	161	102,5	80
K1760.11080322	Swivel castor	plain bearing	40	80	32	111	80	65
K1760.11100322	Swivel castor	plain bearing	40	100	32	136	90	70
K1760.11125322	Swivel castor	plain bearing	40	125	32	161	102,5	80

Swivel and fixed castors steel plate, electrically conductive, heavy-duty version

Overview of items

