

# Vertical antistatic toggle clamps with horizontal foot and adjustable thrust spindle

Item description/product images



Angle bracket for front face mounting (see accessories)

## Description

### Material:

Steel.  
Grip polyamide.

### Version:

Nitro-carburised and black oxidised.  
Grip element graphite black.

### Note:

Maintenance-free high quality link bushes.  
Sustainable constant force during opening and closing.  
Optimum stability through the conical, U-profile clamping arm.

### Application:

Sensitive electrical or electronic equipment, components and devices (ESD sensitive elements) may be damaged or destroyed by electrostatic discharges (ESD) in the immediate vicinity.  
Electrostatic discharges can come from people or through handling ESD sensitive components (e.g. during production, assembly, transport, storage etc).  
Electrically conductive products which conform to DIN EN 61340-5-1 are essential within electronic environments to prevent an electrostatic discharge.  
These products can be used for ESD applications or in ESD protection areas (EPA) in accordance with DIN EN 61340-5-1.

### Advantages:

- Made from a special electrically conductive plastic
- To protect sensitive electrical or electronic parts, components and devices
- Toggle clamps and power clamps are used in assembly and workholding fixtures
- Ergonomic and user-friendly grip

### Accessory:

K0098

### Safety:

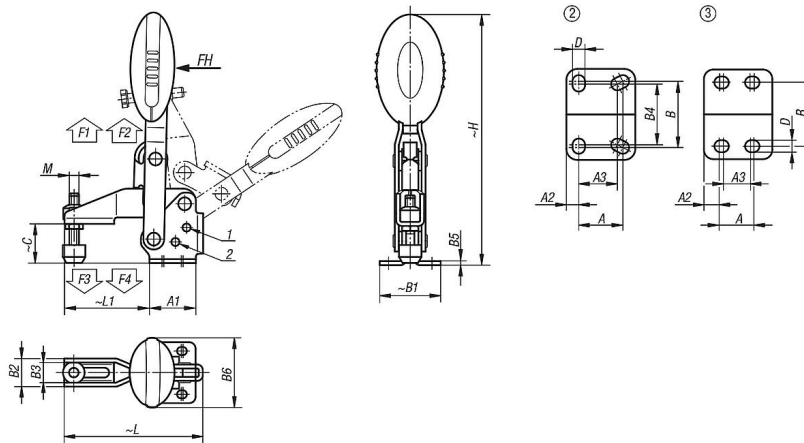
These ESD products can also be used for devices, components and protection systems in areas where there is risk of explosion.  
These ESD products prevent electrostatic spark discharges, and eliminate the risk of ignition of gases and dust which could lead to explosions in enclosed spaces.  
Manufacturers and operators must apply and comply with the ATEX directives for protecting persons working in areas where there is a risk of explosion.  
These ESD products have been certified by TÜV-Süd for their electrical discharge capability.

### Target groups:

Device manufacturers required to conform to ATEX product directive 2014/34/EU.  
Operators required to conform to ATEX worker protection directive 1999/92/EC.

# Vertical antistatic toggle clamps with horizontal foot and adjustable thrust spindle

## Drawings



## Overview of items

### Vertical antistatic toggle clamps with horizontal foot

Order No.	Opening angle holding arm position 1	Opening angle holding arm position 2	Opening angle holding arm stop pin removed	Opening angle handle position 1	Opening angle handle position 2	Opening angle handle stop pin removed
K0662.005024	100°	-	147°	64°	-	83°
K0662.006024	56°	83°	152°	46°	56°	83°
K0662.008024	13°	93°	158°	26°	61°	86°

Order No.	Hand force FH N	Retaining force F1 N	Retaining force F2 N	Clamping force F3 N	Clamping force F4 N	Order No. Angle bracket
K0662.005024	100	750	1050	620	750	K0098.02
K0662.006024	160	1350	1650	920	1050	K0098.04
K0662.008024	190	2000	2800	940	1350	K0098.04

Order No.	hole arrangement	M	A	A1	A2	A3	B	B1	B2	B3	B4	B5	B6	C	D	H	L	L1
K0662.005024	2	M5x25	16	25	4,5	14	24	33	13,2	9,2	22	2	22,5	18	4,5	107,4	65,6	35
K0662.006024	3	M6x35	14	29	7	12	27	38	17,5	12,5	-	2,5	43,5	24,9	5,5	156,3	86,5	53
K0662.008024	3	M8x45	21	39	9	19	32	45	20,6	15,6	-	2,5	41,5	32,7	6,8	184,2	107	62