

# Magnetic sensors, passive sensors, miniature design IO link interface

## Item description/product images



### Description

#### Material:

Housing aluminium.  
Cable sheath PUR.

#### Version:

Compact sensor and connector design.  
M8 connector, 6-pole, 1x pin (E15).  
Connection cable, mm 6-wire  $\varnothing$  5.2 mm.  
Bend radius  $\geq$  52 mm (dynamic).

#### Note:

Works with magnetic tapes K1663.  
The reading distance between the sensor and tape must be 0.1 to 2 mm.  
The operating voltage and current for the sensor are supplied from the downstream electronics.  
System accuracy, repeat accuracy, and travel speed depend on the downstream electronics.  
Plug-in connection at position indicators K1657.

#### Technical data:

- Rating IP 67; EN 60529 (sensor head)
- Shock resistance 2000 m/s<sup>2</sup>, 11 ms; EN 60068-2-27
- Vibration resistance 200 m/s<sup>2</sup>, 50 Hz–2 kHz; EN 60068-2-6

#### Temperature range:

- Ambient temperature 0...60°C
- Storage temperature -10...70°C

#### Assembly:

Installation must be carried out using the enclosed user information.  
A, reading distance sensor/tape  $\leq$  2 mm  
B, lateral offset  $\pm$  2 mm  
C, misalignment  $\pm$  3°  
D, pitch gradient  $\pm$  1°  
E, lateral gradient  $\pm$  3°

#### Accessory:

Position indicators K1657.  
Magnetic tapes K1663.

#### Note:

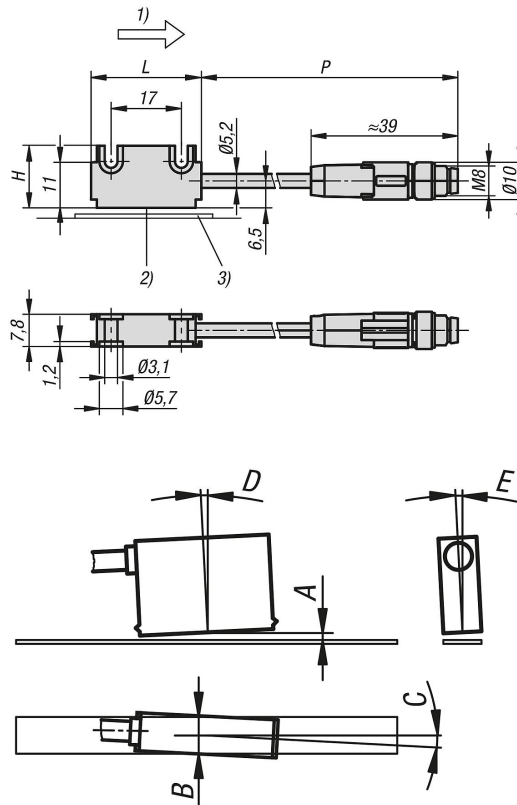
Relative humidity 100%. Dewing is permissible (sensor head).

#### Drawing reference:

- 1) Sine before cosine
- 2) Active measuring surface
- 3) Magnetic tape

**Magnetic sensors, passive sensors, miniature design IO link interface**

**Drawings**



**Overview of items**

**Magnetic sensors, passive sensors, miniature design IO link interface**

Order No.	H	L	P	for Art. No.
K1658.010001	15	26,7	1000	K1657.1531 / K1657.1651
K1658.020001	15	26,7	2000	K1657.1531 / K1657.1651