

Position indicator, plastic, electronic IO link interface, Form B, with magnetic sensing

Item description/product images



Description

Material:

Housing plastic.
Shaft stainless steel.
Connector thread brass.
Earthing terminal metal.

Version:

Nickel-plated brass.
1x M8 connector (A coded), 4-pole, 1x pin.

Note:

The IO link-enabled position indicators are used to check format adjustments, in order to effectively reduce set-up times and increase machine efficiency.

The two-line LCD display can display both the setpoint value and the actual value. Two LEDs give the user visual signals indicating whether the setpoint and actual values match (LEDs lit green) or do not match (LEDs lit red). The LEDs also indicate to the user which direction of adjustment to apply in order to reach the desired position.

Position indicators K1657.1530 and K1657.1650 are linked to the application by a shaft. The position of the application is determined by a robust sensor system which uses magnetic scanning.

Position indicators K1657.1531 and K1657.1651 are mounted directly in the application. The position is determined by a magnetic sensor (K1658) and a magnetic tape (K1663). Suitable only for linear length measurement.

On request:

Certificate of conformity.

Supplied with:

Position indicators
Assembly instructions

Accessory:

Position indicators K1657.1530 and K1657.1650:
Reducing bush K0412.20**.

Position indicators K1657.1531 and K1657.1651:
Magnetic sensor K1658.
Magnetic tape K1663.

Note:

These position indicators can be integrated only with a IO link communication system.

Drawing reference:

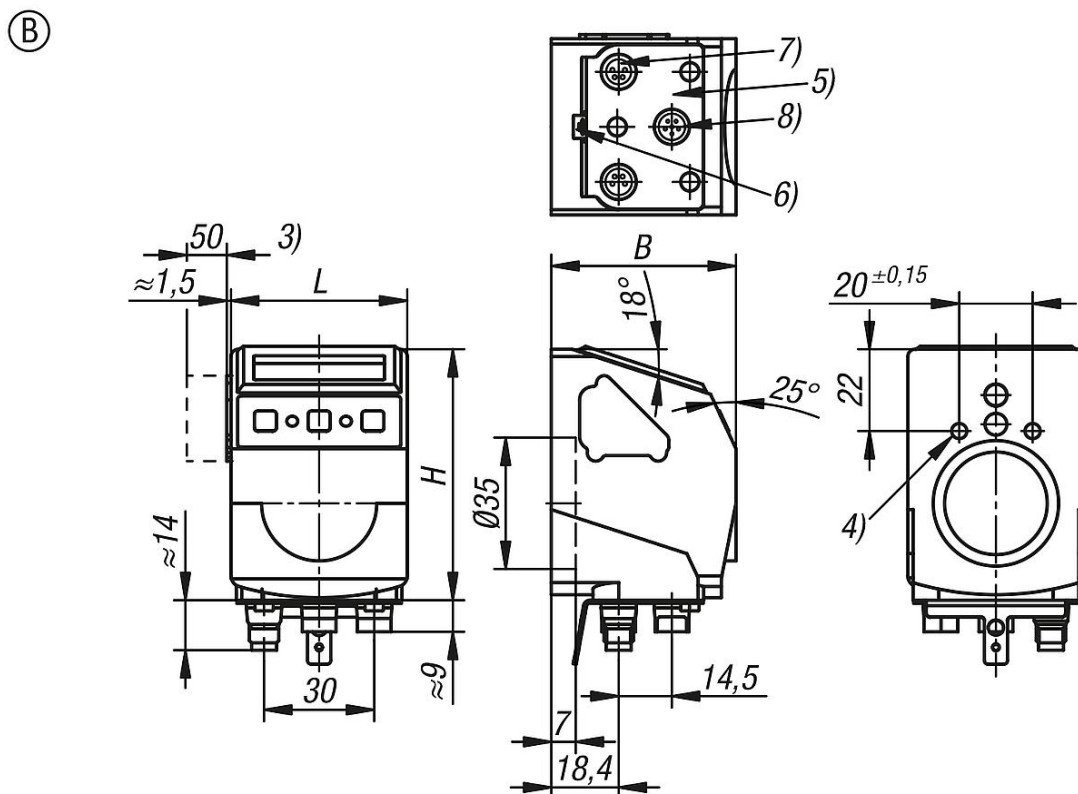
- 1) Torque support
- 2) Grub screw M3 (2x 120°)
- 3) Min. space required to change battery without disassembling.
- 4) 2x M5/7 deep
- 5) Contact area

Position indicator, plastic, electronic IO link interface, Form B, with magnetic sensing

Item description/product images

- 6) Earthing terminal for flat connector 6.3 or cable lug
- 7) IO link M8 connector (pin contact) metal connection thread
- 8) Sensor

Drawings



Overview of items

Order No.	Form	B	H	L	Safety rating
K1657.1531	B	50,3	68,4	48	IP53
K1657.1651	B	50,3	68,4	48	IP65