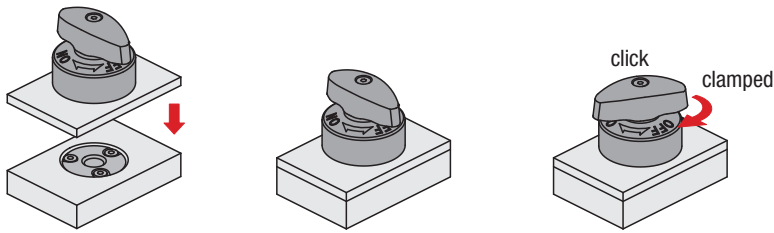


Technical Information

Quarter-turn clamp lock K1559 and clamping plate K1560



1. Application:

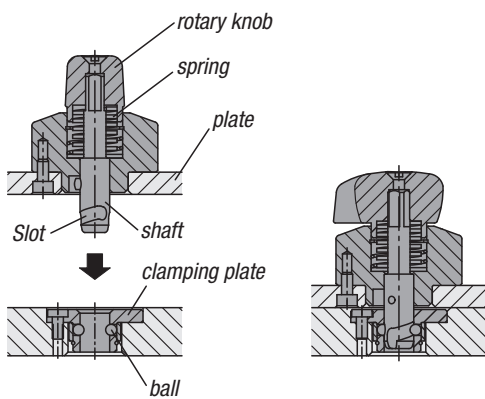


Check that the rotary knob is in the "OFF" position. Set the quarter-turn clamp lock in the premounted clamping plate.

Turn the rotary knob to the "ON" position. When fully clamped, a click sound is heard.

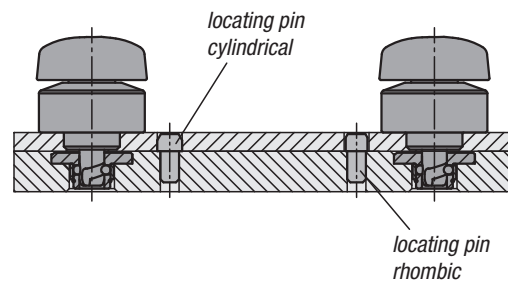
2. Function:

When connecting the quarter-turn clamp lock and clamping plate, the spiral slot travels down guided by the balls in the clamping plate. The spring is compressed and the components are clamped.

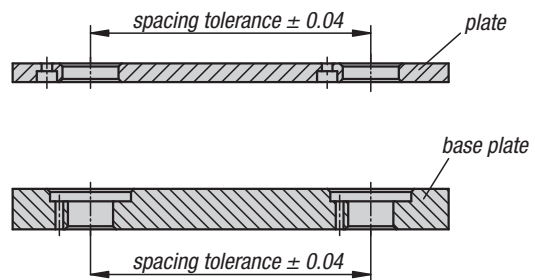


Repeat accuracy:

A higher repeat accuracy can be achieved with the aid of additional locating pins (not supplied).



Production tolerances:



Application examples:

