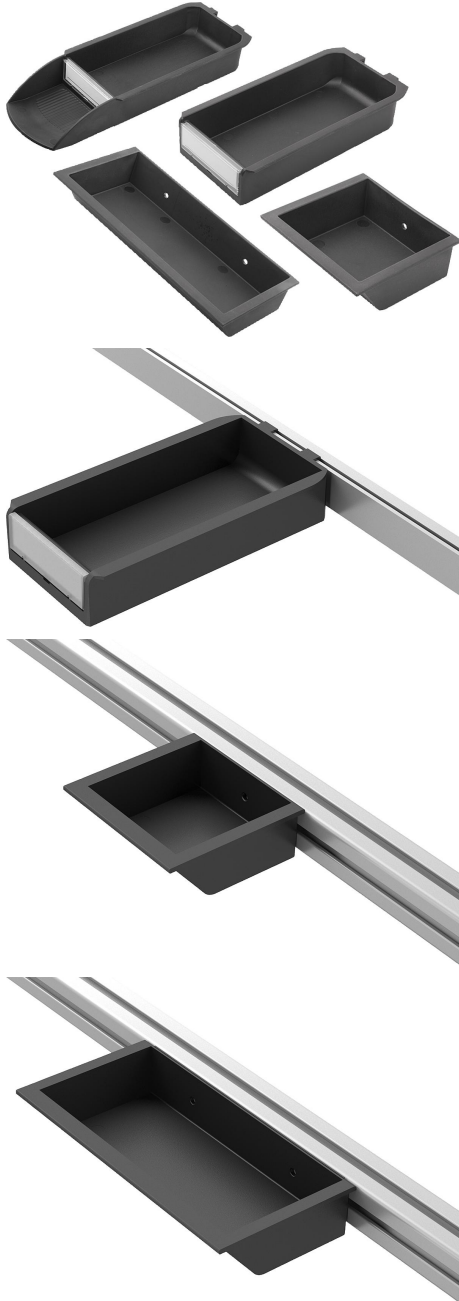


Clip-in bins, plastic, for type I and type B profile slots and mounting profiles

Item description/product images



Description

Material:

Bins fibreglass reinforced PA.

Label holders PC.

Note:

These bins can be easily clipped into profile slots or mounting profiles.

The bins for mounting profiles can be hooked onto perforated panels.

For holding small parts.

The bins for mounting profiles can be combined with swivel adapters.

Supplied with:

Form A: 1x clip-in bin.

Form B: 1x clip-in bin.

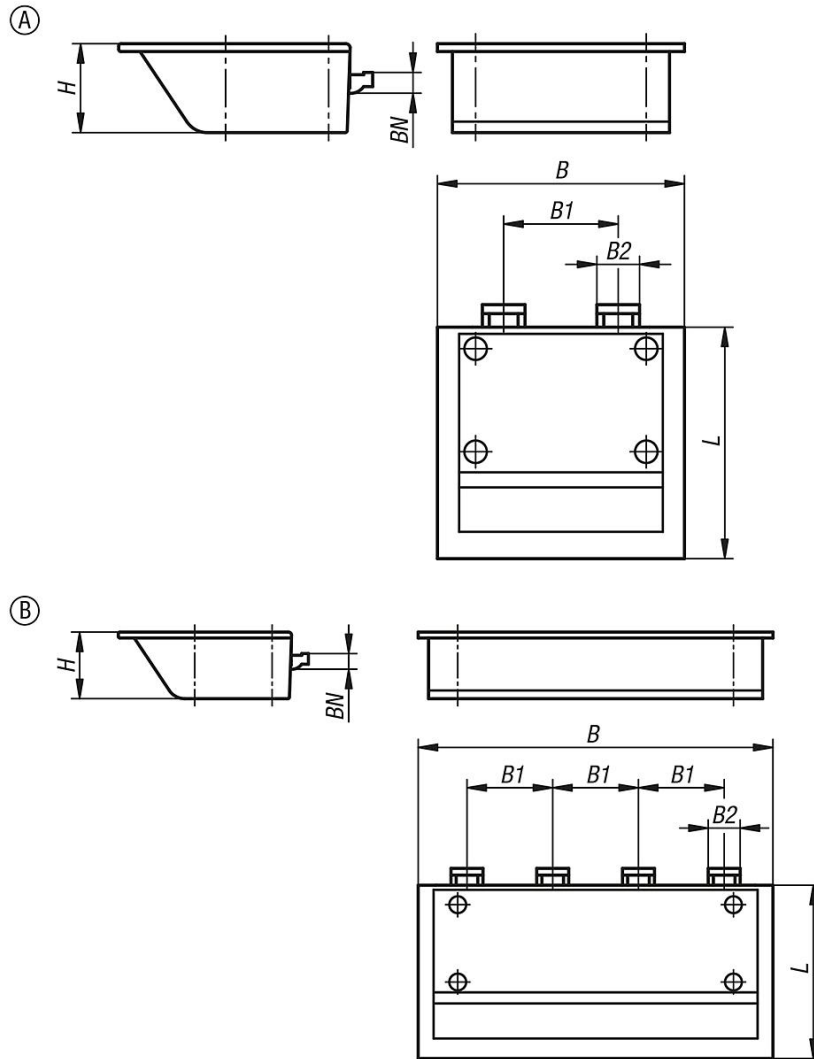
Form C: 1x clip-in bin, 1x label holder, 1x label.

Form D: 1x clip-in bin, 1x label holder, 1x label.

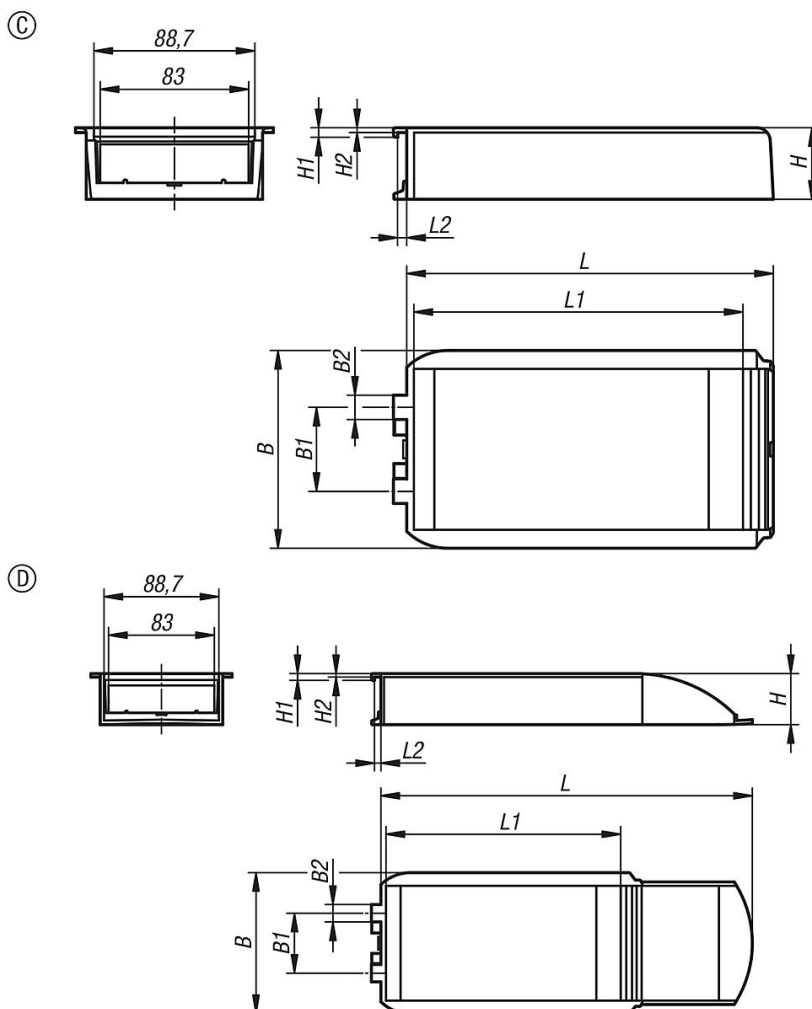
Accessory:

Swivel adapter K1630.

Clip-in bins, plastic, for type I and type B profile slots and mounting profiles
 Drawings



Clip-in bins, plastic, for type I and type B profile slots and mounting profiles
Drawings



Overview of items

Clip-in bins, plastic, for type I and type B profile slots and mounting profiles

| Order No. | Version 1 | Form | B | B1 | B2 | H | H1 | H2 | L | L1 | L2 |
|----------------|----------------------|------|-------|----|------|----|-----|-----|-------|-----|----|
| K1629.00110103 | type I | A | 110 | 51 | 19 | 40 | - | - | 103,1 | - | - |
| K1629.10110103 | type B | A | 110 | 51 | 19 | 40 | - | - | 103,1 | - | - |
| K1629.00211103 | type I | B | 211 | 51 | 19 | 40 | - | - | 103,1 | - | - |
| K1629.10211103 | type B | B | 211 | 51 | 19 | 40 | - | - | 103,1 | - | - |
| K1629.20110205 | for mounting profile | C | 110,6 | 47 | 13,6 | 40 | 8 | 2,7 | 200 | 183 | 5 |
| K1629.20110291 | for mounting profile | D | 110,6 | 47 | 13,6 | 40 | 5,3 | 2,7 | 286 | 183 | 5 |