

Positioning bush steel for centring units

Item description/product images



Description

Material:
Steel.

Version:
Hardened and ground.

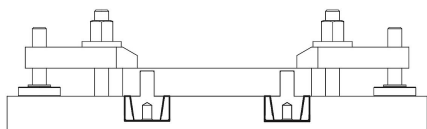
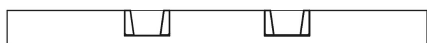
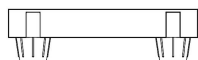
Note:
These positioning bushes match positioning cones.

Temperature range:
+80 °C.



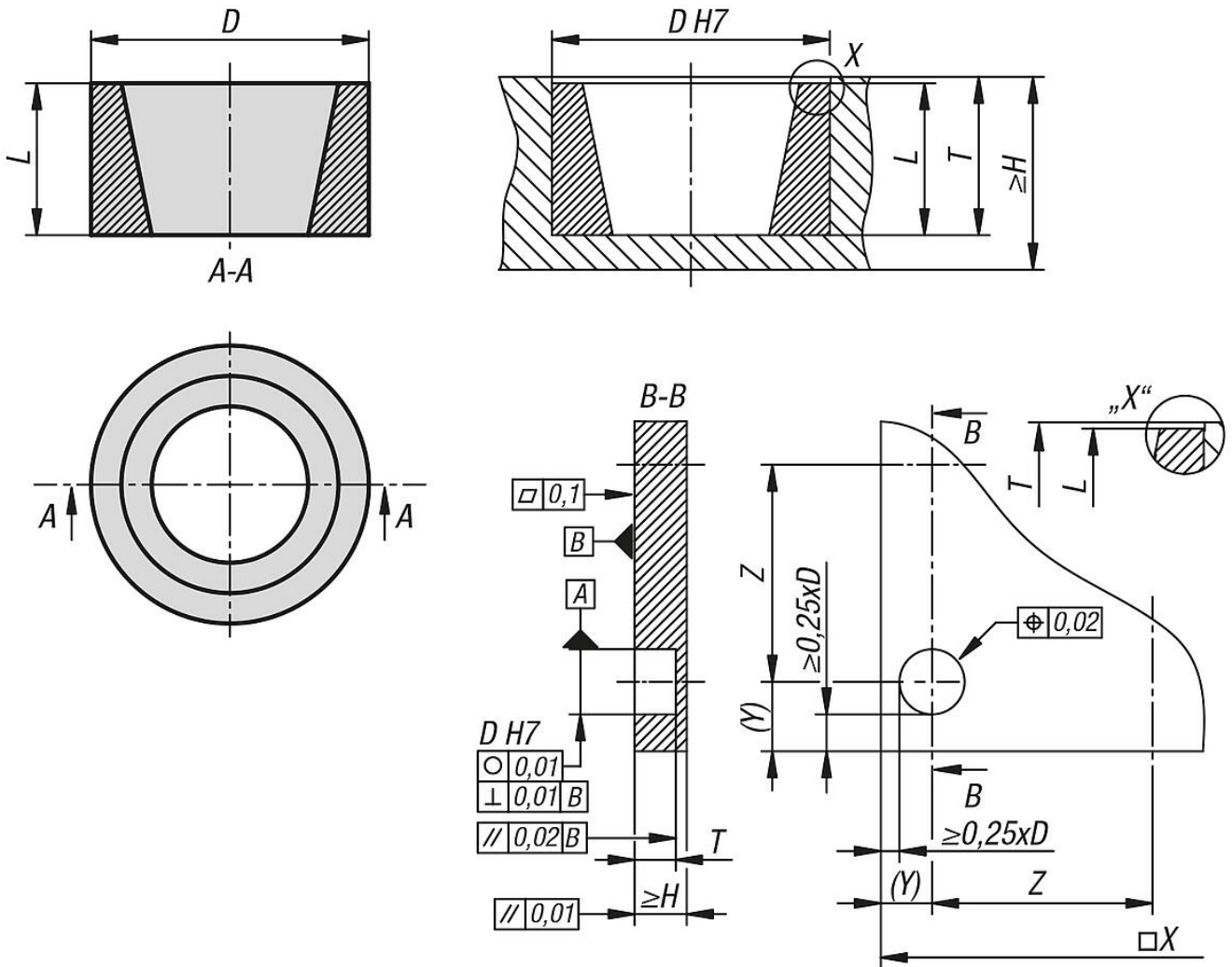
Positioning bush steel for centring units

Item description/product images



Positioning bush steel for centring units

Drawings



Overview of items

Bush centring unit

Order No.	Size	D	H min.	L max.	T	for Art. No.
K1628.1	1	16	12,5	8,5	9-0,1	K1627.1
K1628.3	3	32	25	17,5	18-0,1	K1627.3