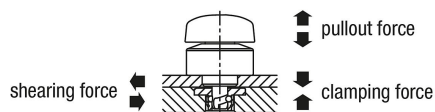


## Quarter-turn clamp lock stainless steel, knob stainless steel

### Item description/product images



### Description

#### Product description:

Quarter-turn clamp locks are used for replacing and locking fixtures or hatches quickly and easily.

Toolless clamping shortens setup times.

#### Material:

Housing stainless steel.

Bolt steel.

Rotary knob stainless steel.

#### Version:

Housing bright.

Bolt nickel plated.

Rotary knob stainless steel, bright.

#### Note:

Stainless steel M3 fastening screws are included.

Mounting option 1 for plate thickness 6 mm.

Mounting option 2 for plate thickness > 6 to 14 mm.

#### Type of operation:

Check that the rotary knob is in the "OFF" position.

Set the quarter-turn clamp lock in the premounted clamping plate.

Turn the rotary knob to the "ON" position.

When fully clamped, a click sound is heard.

#### Accessory:

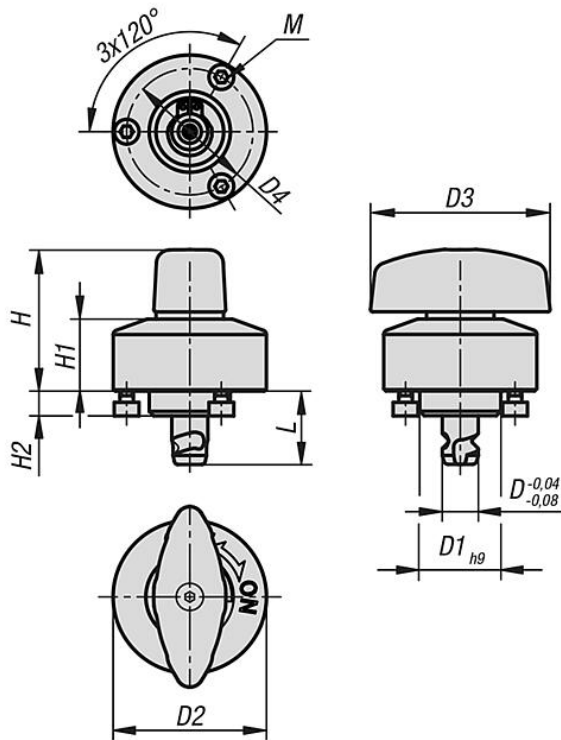
Clamping plates K1560

#### Drawing reference:

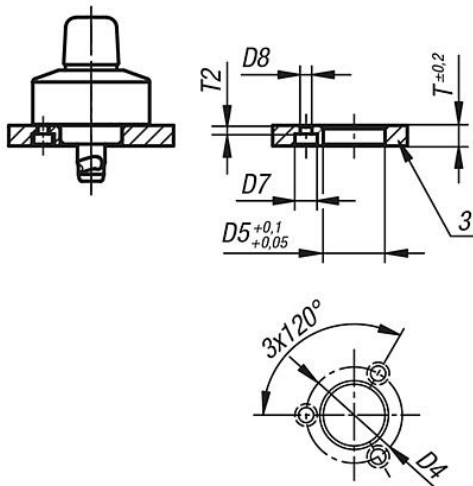
1) plate

Quarter-turn clamp lock stainless steel, knob stainless steel

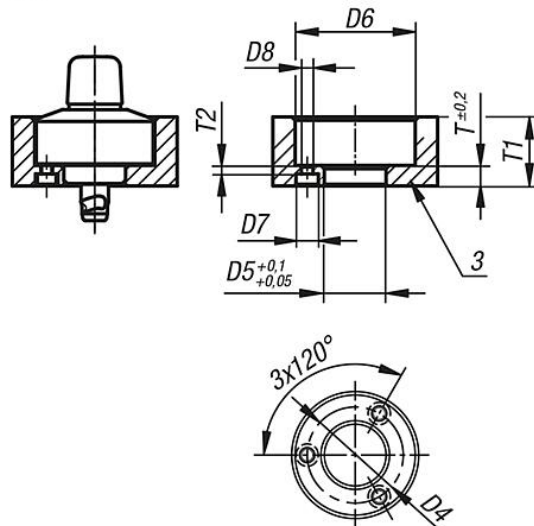
Drawings



①



②



Overview of items

Order No.	Component material	Version	2	D	L	D1	D2	D3	D4	H	H1	H2	M	D5	D6	D7	D8	T	T1	T2	Clamping force N	Shearing force kN	Pullout force F kN	Temperature resistance
K1559.8161	stainless steel	pins	steel	8	16,3	18	34	40	28	31,5	16	5,5	M03X0,5	18	35	6,5	3,4	6-20	2,5	400	4,8	1,6	≤200 °C	

