

## Star grips, plastic with clamping force intensifier

### Item description/product images



### Description

#### Product description:

Star grips with integrated clamping force intensifier can achieve double the clamping force compared to standard star grips.

Furthermore, this product can also be used by persons with limited hand strength (e.g. in rehabilitation) to achieve comparable clamping forces with less effort. Less effort is also needed to loosen the star grip.

The increase in clamping force is achieved by the integral needle roller thrust bearing, which generates very low surface friction on a rigid contact surface during clamping. The hardened thrust washers are designed for high clamping forces and the bearing with its high load rating guarantees a long service life.

The clamped component is permanently protected by the large, stationary contact surface. A washer is no longer required.

Due to the modular construction many special designs are available.

#### Material:

Star grip polyamide thermoplastic, black.

Steel parts 5.8 steel or stainless steel 1.4305.

#### Version:

Metal parts trivalent blue passivated steel or bright stainless steel.

Axial needle bearing with hardened and ground thrust washer.

#### Application:

Machine, equipment and plant construction, rehabilitation sector.

#### Advantages:

Significant increase of the clamping force with the same tightening torque.

High quality axial needle bearing with high load rating and long service life.

The component surface is protected by the stationary lower ring.

#### On request:

Other thread lengths.

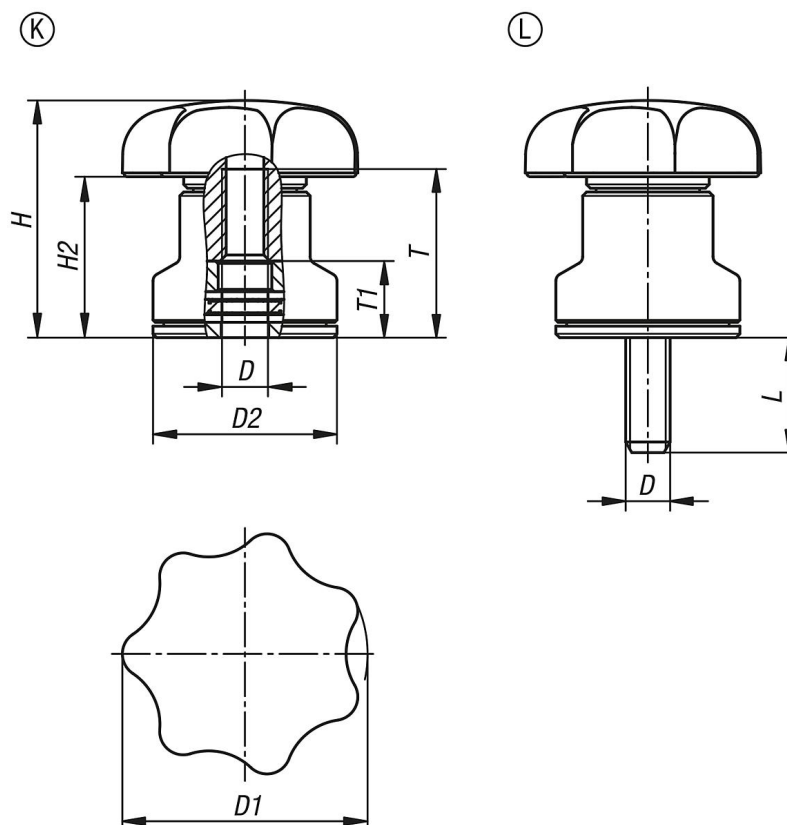
#### Drawing reference:

Form K: tapped bush

Form L: external thread

# Star grips, plastic with clamping force intensifier

## Drawings



## Overview of items

### Star grips, plastic with clamping force intensifier

Order No.	Form	Component material	D	D1	D2	H	H2	L	T	T1
K1596.206	K	steel	M6	32	24	31	21	-	22	10
K1596.208	K	steel	M8	40	25	35	23	-	22	10
K1596.210	K	steel	M10	50	30	42	27	-	27	10
K1596.212	K	steel	M12	63	35	47	28	-	27	10
K1596.306	K	stainless steel	M6	32	24	31	21	-	22	10
K1596.308	K	stainless steel	M8	40	25	35	23	-	22	10
K1596.310	K	stainless steel	M10	50	30	42	27	-	27	10
K1596.312	K	stainless steel	M12	63	35	47	28	-	27	10
K1596.406X10	L	steel	M6	32	24	31	21	10	-	-
K1596.406X20	L	steel	M6	32	24	31	21	20	-	-
K1596.408X15	L	steel	M8	40	25	35	23	15	-	-
K1596.408X30	L	steel	M8	40	25	35	23	30	-	-
K1596.410X20	L	steel	M10	50	30	42	27	20	-	-
K1596.410X30	L	steel	M10	50	30	42	27	30	-	-
K1596.412X20	L	steel	M12	63	35	47	28	20	-	-
K1596.412X30	L	steel	M12	63	35	47	28	30	-	-
K1596.506X10	L	stainless steel	M6	32	24	31	21	10	-	-
K1596.506X20	L	stainless steel	M6	32	24	31	21	20	-	-
K1596.508X15	L	stainless steel	M8	40	25	35	23	15	-	-
K1596.508X30	L	stainless steel	M8	40	25	35	23	30	-	-
K1596.510X20	L	stainless steel	M10	50	30	42	27	20	-	-
K1596.510X30	L	stainless steel	M10	50	30	42	27	30	-	-
K1596.512X20	L	stainless steel	M12	63	35	47	28	20	-	-
K1596.512X30	L	stainless steel	M12	63	35	47	28	30	-	-

