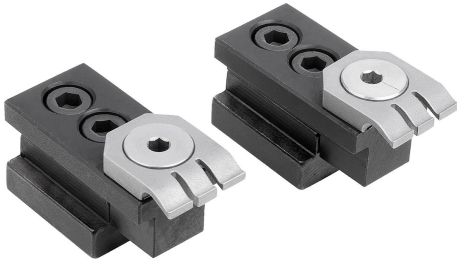
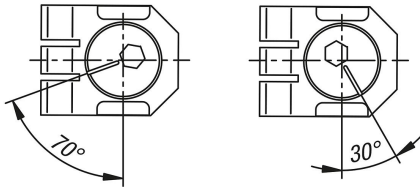


# Flat clamp, steel for T-slot

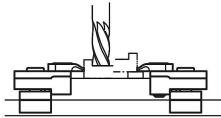
## Item description/product images



### Using the cam



Quick clamp 1/4 rotation



Workpiece clamped directly on the table top or supported on rests from below (e.g for drilling though).

## Description

### Material:

Steel body.

Clamping element and stop made from spring steel.

### Version:

Base element tempered.

### Note for ordering:

The order number includes one pair, made up of a clamping element and a stop.

### Note:

By turning the cam screw on the clamping element the workpiece is forced downwards (positive down force). The clamping element also forces the workpiece against the stop, thereby providing a flat parallel seating.

The stop side provides a reference that makes precise replications possible.

Cam hub: 1.2 mm.

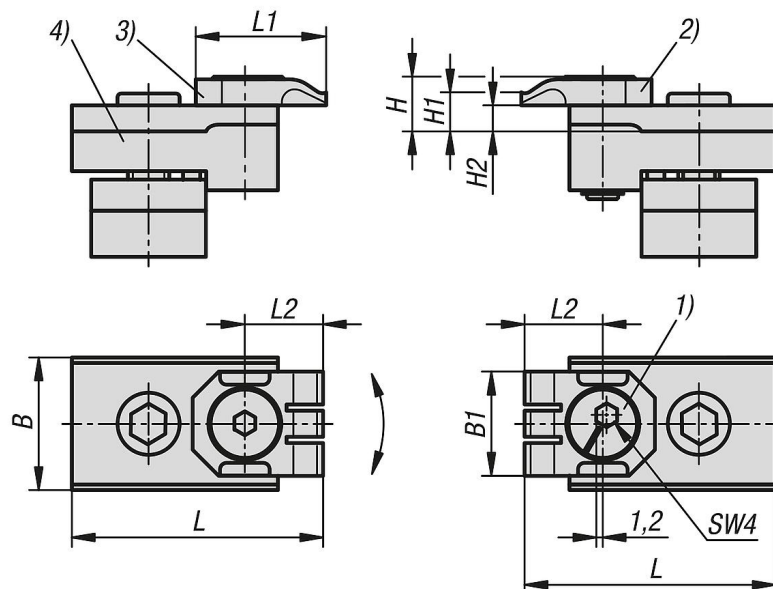
### Application:

Suitable for clamping multiple and individual parts on fixtures and T-slot tables.

### Drawing reference:

- 1) Cam screw
- 2) Clamping element
- 3) Stop
- 4) Body

## Drawings



## Overview of items

### Flat clamp, steel, for T-slot

**Flat clamp, steel for T-slot****Overview of items**

Order No.	B	B1	H	H1	H2	L	L1	L2	SW	Slot width	F kN	Tightening torque Nm
<b>K1540.10</b>	18	20	10,5	7,5	5	46	25	15	4	10	4	9
<b>K1540.12</b>	18	20	10,5	7,5	5	48	25	15	4	12	4	9
<b>K1540.14</b>	22	20	10,5	7,5	5	52	25	15	4	14	4	9
<b>K1540.16</b>	25	20	10,5	7,5	5	48	25	15	4	16	4	9
<b>K1540.18</b>	25	20	10,5	7,5	5	48	25	15	4	18	4	9