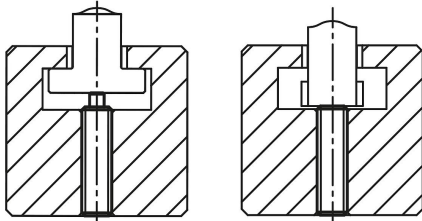


Spring plungers with hex socket and flat thrust pin, stainless steel, with thread lock

Item description/product images



Description

Material:

Sleeve 1.4305.
Thrust pin 1.4034.
Spring 1.4310.

Thread lock nylon.

Version:

Bright.
Thrust pin hardened.

Note:

These spring plungers are chiefly used as ejectors and spring stops in machine construction.

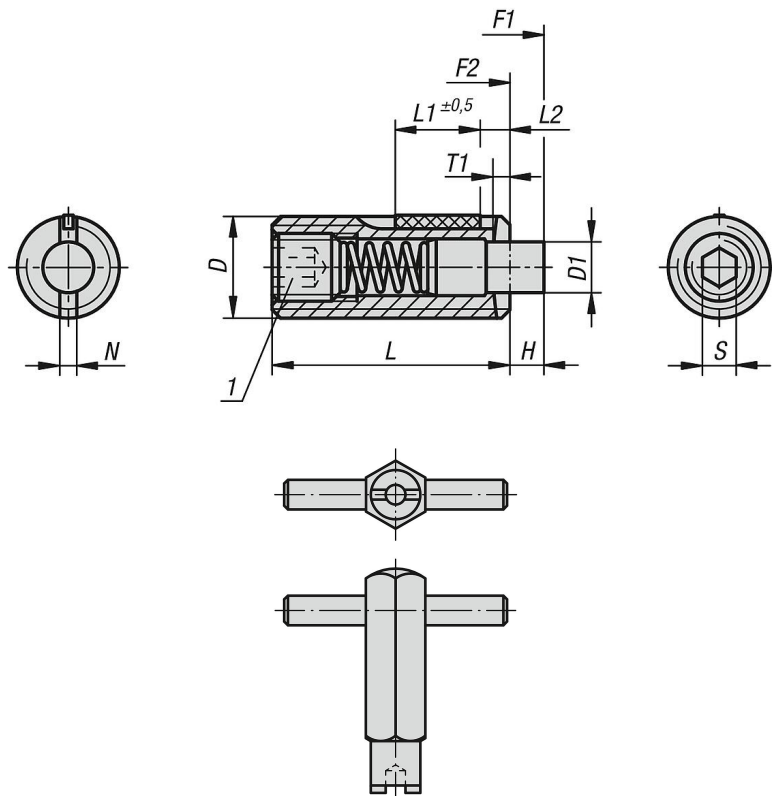
The thrust pin is actuated in the axial direction.

Drawing reference:

L2 = ca. two full threads

1) grub screw glued-in

Drawings



Overview of items

Spring plungers with hex socket and flat thrust pin, stainless steel, with thread lock

Overview of items

Spring plungers with hex socket and flat thrust pin, standard spring force, with thread lock

Order No.	D	D1	H	L	L1	T1	N	S	Spring force initial pressure F1 approx. N	Spring force final pressure F2 approx. N	Tightening torque approx. Nm	Loosening torque approx. Nm	Order No. Assembly key
K1380.05	M5	2,4	2,3	18	7	0,8	0,8	1,5	5	17	0,12	0,08	K0317.905
K1380.06	M6	2,7	2,5	20	7	1	1	2	6	17	0,45	0,22	K0317.906
K1380.08	M8	3,5	3	22	8	1,4	1,2	2,5	7	29	1,05	0,37	K0317.908
K1380.10	M10	4	3	22	9	1,4	1,6	3	8	31	1,3	0,6	K0317.910
K1380.12	M12	6	4	28	10	2	2	4	10	47	2	1,3	K0317.912
K1380.16	M16	7,5	5	32	14	2,5	2,5	5	38	85	3,9	3	K0317.916