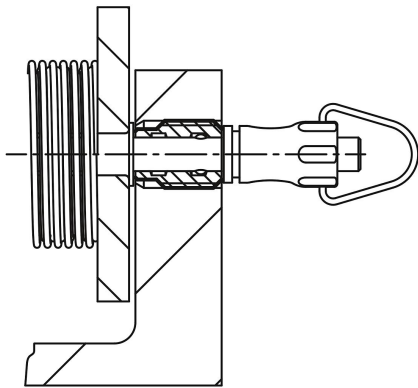
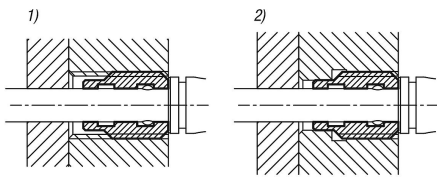


Locating bushes stainless steel for ball lock pins

Item description/product images



Description

Material:

Stainless steel 1.4305.

Version:

Bright.

Note:

The locating bushes are ideal for easy and quick positioning of ball lock pins with head-end lock.

Advantages:

The adapter bushes can be used from both sides.

Additional centring of the adapter bush is provided by the centring collar (D3).

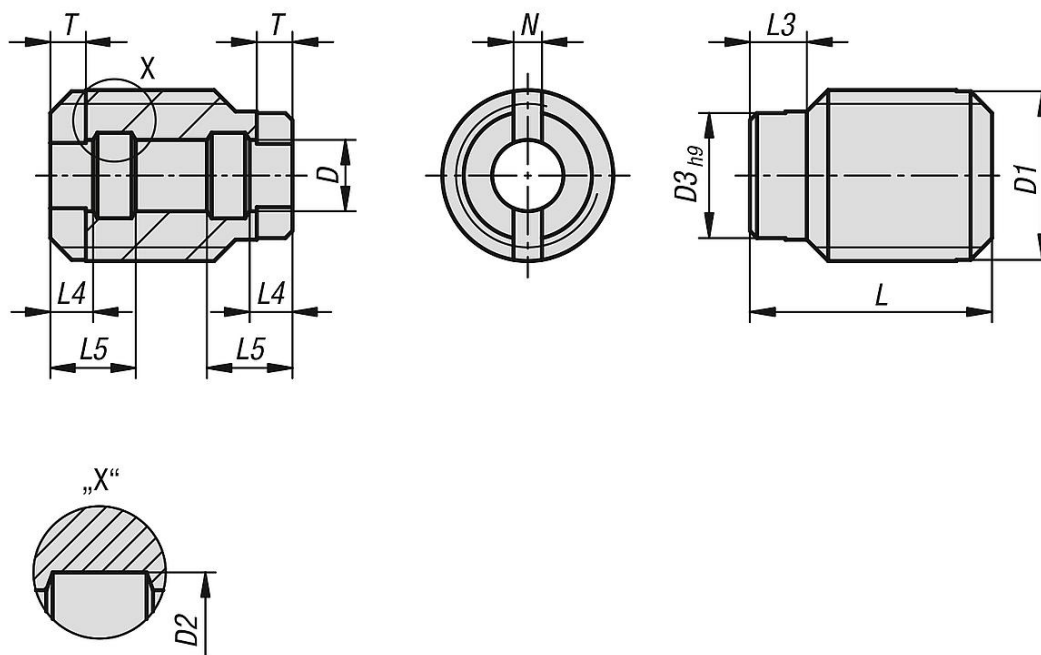
Drawing reference:

1) without centring

2) with centring

Locating bushes stainless steel for ball lock pins

Drawings



Overview of items

Locating bushes stainless steel for ball lock pins

| Order No. | D | D1 | D2 | D3 | L | L3 | L4 | L5 | N | T |
|-------------|----|---------|-----|----|------|----|-----|------|-----|-----|
| K1416.10512 | 5 | M12 | 6 | 9 | 17 | 4 | 3 | 6 | 2 | 2,5 |
| K1416.10616 | 6 | M16 | 7,5 | 12 | 18 | 5 | 3 | 7 | 2 | 2,5 |
| K1416.10816 | 8 | M16 | 10 | 12 | 20,5 | 5 | 3,5 | 8,5 | 2 | 2,5 |
| K1416.11024 | 10 | M24x1,5 | 13 | 18 | 21,5 | 5 | 3,5 | 9 | 2,5 | 2,5 |
| K1416.11230 | 12 | M30x1,5 | 15 | 24 | 22,5 | 5 | 3,5 | 9,5 | 2,5 | 2,5 |
| K1416.11630 | 16 | M30x1,5 | 20 | 24 | 27 | 5 | 4,1 | 11,1 | 2,5 | 3 |