

Rod ends igubal® with plain bearing external thread, similar to DIN ISO 12240-4

Item description/product images



Description

Material:

Housing igumid® G.

Bearing seat iglidur® W300.

Version:

Black.

Note:

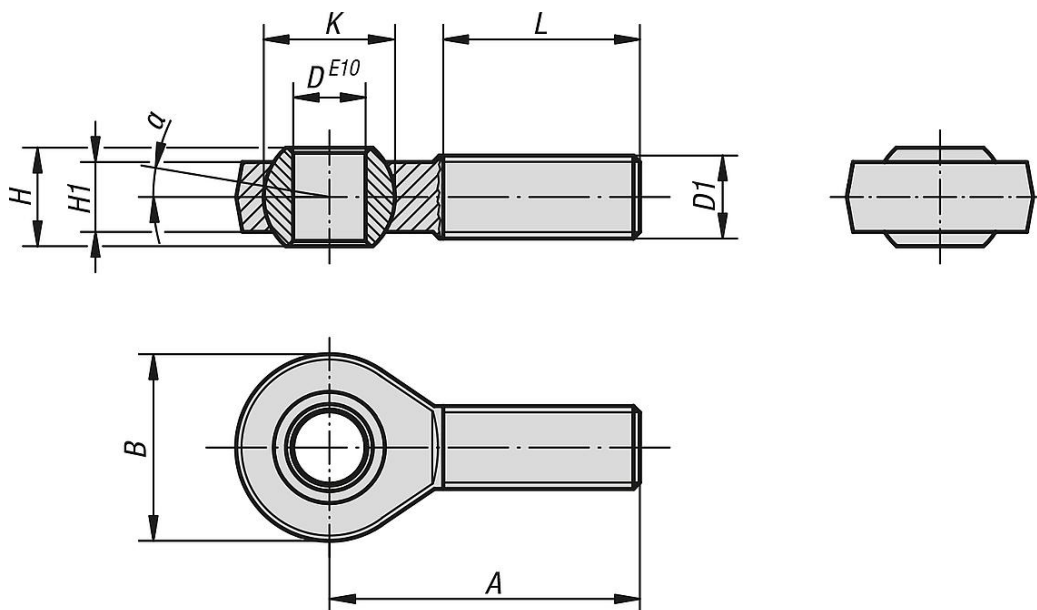
The rod end has very high rigidity under alternating stresses, it is insensitive to dirt, dust and lint, and is both corrosion and chemical resistant. It is ideal for rotary, oscillating and linear movements.

The connection dimensions comply with DIN ISO 12240 series K.

Tolerances:

The bore of the inner ring has an E10 tolerance. The shaft tolerance should be between h6 and h9.

Drawings



Overview of items

Order No. RH thread	Order No. LH thread	D	D1	A	B	H	H1	K	L	α	Max. static tensile stress N short-term	Max. static tensile stress N long-term	Max. transverse stress N short-term	Max. transverse stress N long-term
K1465.105	K1465.1051	5	M5	33	18	8	6	11,1	19	15°	800	400	80	40
K1465.106	K1465.1061	6	M6	36	20	9	7	12,7	21	14,5°	1000	500	100	50
K1465.108	K1465.1081	8	M8	42	24	12	9	15,8	25	12,5°	1700	850	200	100
K1465.110	K1465.1101	10	M10	48	30	14	10,5	19	28	12,5°	2500	1250	300	150
K1465.110125	K1465.1101251	10	M10x1,25	48	30	14	10,5	19	28	12,5°	2500	1250	300	150
K1465.112	K1465.1121	12	M12	54	34	16	12	22,2	32	12,5°	2700	1350	400	200
K1465.112125	K1465.1121251	12	M12x1,25	54	34	16	12	22,2	32	12,5°	2700	1350	400	200
K1465.114	K1465.1141	14	M14	61	38	19	13,5	25,25	36	12,5°	3400	1700	700	350
K1465.116	K1465.1161	16	M16	66	42	21	15	28,3	37	11,5°	3900	1950	800	400

Rod ends igubal® with plain bearing external thread, similar to DIN ISO 12240-4

Overview of items

Order No. RH thread	Order No. LH thread	D	D1	A	B	H	H1	K	L	α	Max. static tensile stress N short-term	Max. static tensile stress N long-term	Max. transverse stress N short-term	Max. transverse stress N long-term
K1465.116150	K1465.1161501	16	M16x1,5	66	42	21	15	28,3	37	11,5°	3900	1950	800	400
K1465.118150	K1465.1181501	18	M18x1,5	72	46	23	16,5	31,35	41	11,5°	4200	2100	1000	500
K1465.120	K1465.1201	20	M20	78	50	25	18	34,9	45	11,5°	6000	3000	1300	650
K1465.120150	K1465.1201501	20	M20x1,5	78	50	25	18	34,9	45	11,5°	6000	3000	1300	650