

Tension levers flat internal thread, stainless steel, 0°

Item description/product images



Description

Material:

Steel parts stainless steel 1.4305.

Ball knob black plastic.

Version:

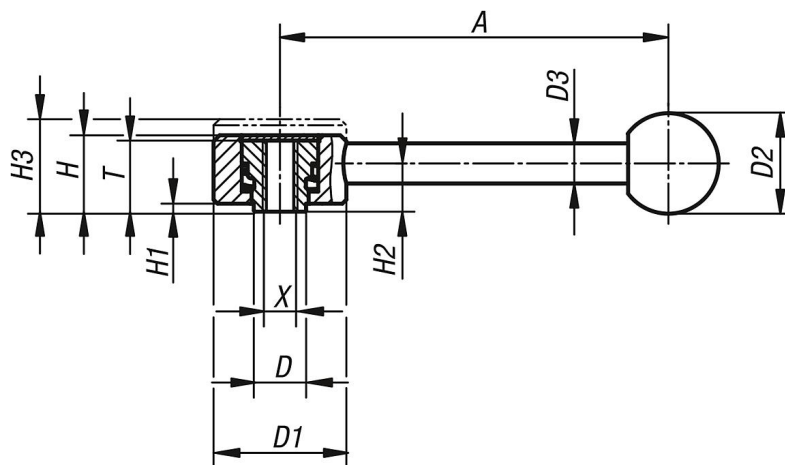
Steel parts bright.

On request:

Other threads and special versions.

Dimensions "H1" and "A" available in other lengths at extra charge.

Drawings



Overview of items

| Order No. | Form | X | T | A=Handle length | D | D1 | D2 | D3 | H | H1 | H2 | H3 | No. of teeth |
|------------|------|-----|----|-----------------|------|----|----|----|----|----|------|----|--------------|
| K0129.1081 | 0° | M8 | 18 | 102 | 13,5 | 33 | 25 | 10 | 19 | 2 | 12 | 23 | 26 |
| K0129.2101 | 0° | M10 | 21 | 131 | 19 | 41 | 30 | 12 | 22 | 2 | 13,5 | 26 | 30 |
| K0129.2121 | 0° | M12 | 21 | 131 | 19 | 41 | 30 | 12 | 22 | 2 | 13,5 | 26 | 30 |
| K0129.3161 | 0° | M16 | 27 | 148 | 23 | 45 | 37 | 14 | 28 | 2 | 17 | 33 | 36 |