

## UNILOCK clamping pin system size 138 mm

### Item description/product images



### Description

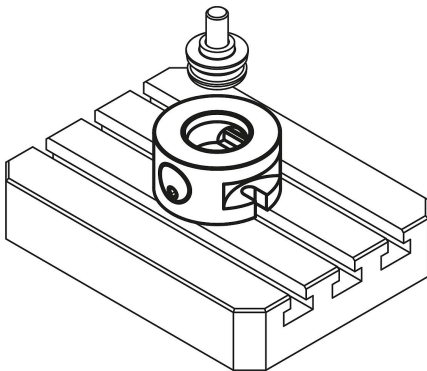
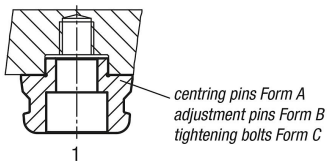
**Material:**  
Steel.

**Version:**  
Main body black oxide finish.  
Contact faces hardened and ground.

**Note:**  
The UNILOCK clamping pins are suitable for clamping and positioning workpieces and fixtures. The clamping pins are screwed onto the exchange element.

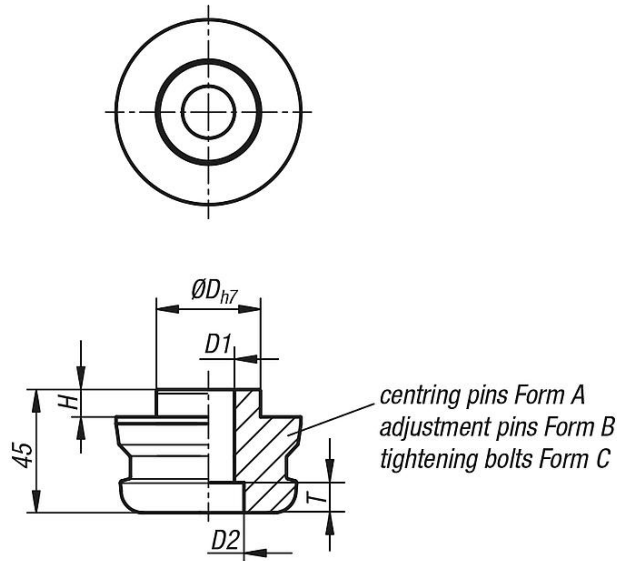
**On request:**  
Other versions.

1 = fastening with DIN 912 screw through the tightening bolt

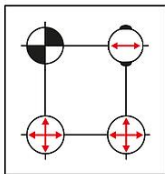


UNILOCK clamping pin system size 138 mm

Drawings



- Centring pins = Form A      fixes in x and y axis (reference point)
- Adjustment pins = Form B      fixes the free axis (bayonet pin)
- Tightening bolts = Form C      Pins with undersize (no centring function, clamping only)



Overview of items

UNILOCK clamping pin, system size 138 mm

Order No.	Form	D	D1	D2	H	T
K1424.168381025	A	38	25	37	9,5	24,5
K1424.268381025	B	38	25	37	9,5	24,5
K1424.368381025	C	38	25	37	9,5	24,5